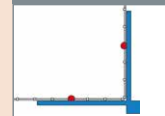




W14



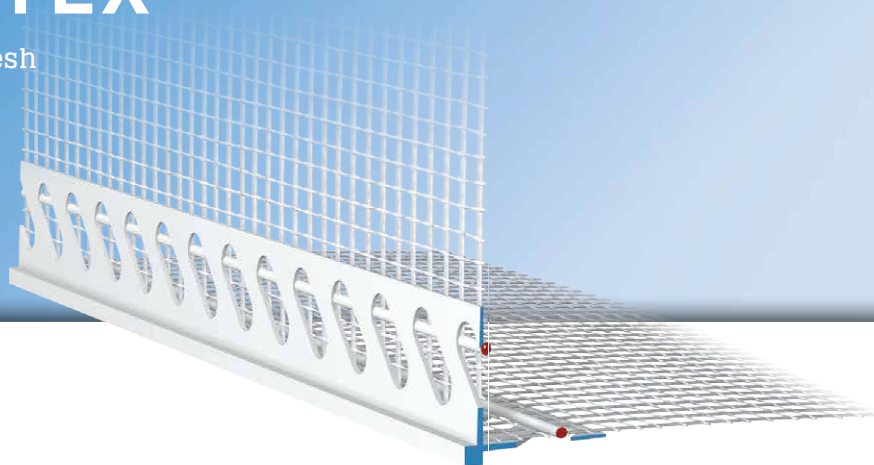
# APU®

PROFILES FOR COMPOUND HEAT INSULATION SYSTEMS

## Corner bead with mesh

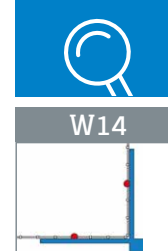
# DECO-TEX

With 2 x 12.5 cm mesh



The **APU corner bead with mesh DECO-TEX** is used in compound heat insulation systems as a flush, impact-protected edge for thin top layers of plaster.

The corner bracket has 2 perforated wings to each of which a strip of mesh is internal welded. Each bar has a fabric overhang on one side of 10cm in the lengthways direction. The square skimming bar forms a clean and visible corner guard in the corner area.



## Design

	ITEM NO.	LENGTH	PACKAGING UNIT	WEIGHT (per PU)
--	----------	--------	----------------	-----------------

### DECO-TEX corner bead with mesh

W14 With 2 x 12.5 cm mesh	W14-2000	2.0 m	25 bars = 50 m	6.3 kg
------------------------------	----------	-------	----------------	--------

## Features

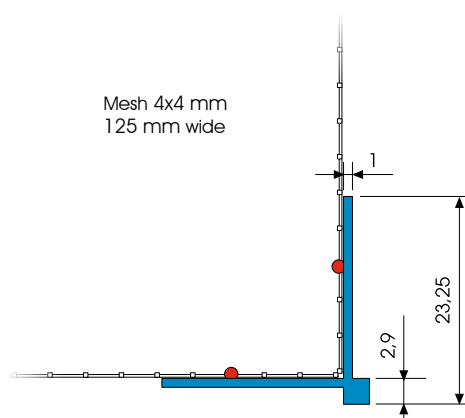
	DECO-TEX CORNER BEAD WITH MESH
Material	<ul style="list-style-type: none"> <li>■ Rigid PVC manufactured under DIN-16941</li> </ul>
Mesh	<ul style="list-style-type: none"> <li>■ Min. 160 g/m<sup>2</sup> approved for compound heat insulation systems</li> <li>■ 2 x 12.5 cm wide – MW 4x4 mm</li> <li>■ Ultrasonic welded</li> </ul>

## Important information

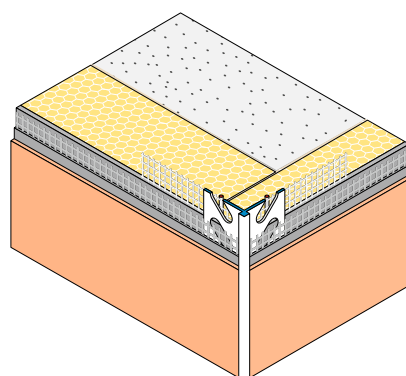
Storage	Always store profiles laid down in a dry place.
Other applications	Any applications not clearly described in the documents may be implemented only after consultation with the plaster or ETICS manufacturer.

For information on materials, areas of use, tests and correct application, please refer to our 'General Advice and Information'

## Details



Sectional drawing in mm



Application drawing