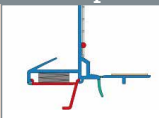
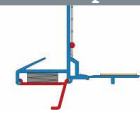




W36 - plus



W36 - pro



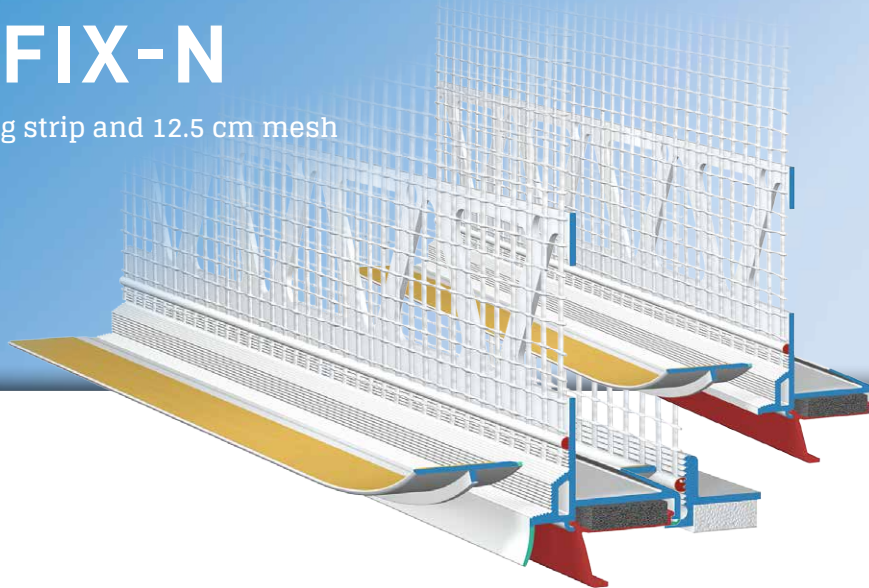
# APU®

PROFILES FOR COMPOUND HEAT INSULATION SYSTEMS

## Window reveal bead with mesh

# PUR-FIX-N

With PUR sealing strip and 12.5 cm mesh



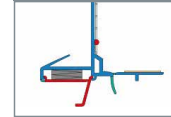
The **APU window reveal bead with mesh PUR-FIX-N** is used in compound heat insulation systems as specified in the latest APU selection criteria. After opening the activation tab in the reveal insulation, the profile is fixed in the insulating material at a distance of c. 2 mm from the structural element using the plastic nails provided (Z21), and after completion of the plastering work provides a clean, reliable plaster junction.

The profile comes with an expanding PUR sealing strip, which ensures a watertight, lasting seal without any sticking directly to the structural element.

The PUR sealing strip is impacted lengthways in the profile and has an overhang for sealing the joint at the end of the profile. The PUR sealing strip is able to absorb relatively large movements in the area around the joint. There is a fabric window reveal bead welded onto the profile. Each bar has a fabric overhang on one side of 10cm in the lengthways direction. The profile is available in two versions: with protective lip (W36 - plus) or with shadow gap (W36 - pro). There is a piece of self-adhesive tape on protective flap in order to secure the third-party protective film. This protects the window during the plastering work. After completion of these tasks, the protective flap is pulled off and what is created is a clean edge to the plaster.



W36 - plus



W36 - pro



## Design

	ITEM NO.	LENGTH	PACKAGING UNIT	WEIGHT (per PU)
--	----------	--------	----------------	-----------------

### PUR-FIX-N window reveal bead with mesh

With 12.5 cm mesh

#### W36 - plus

■ **PUR-FIX-N window reveal bead with mesh**

With protective lip

**W36-24PLUS**

2.4 m

25 bars = 60 m

14.8 kg

#### W36 - pro

■ **PUR-FIX-N-pro window reveal bead with mesh**

with shadow gap

**W36-24PRO**

2.4 m

25 bars = 60 m

14.8 kg

## Features

	PUR-FIX-N WINDOW REVEAL BEAD WITH MESH
Material	<ul style="list-style-type: none"> <li>■ Rigid PVC manufactured under DIN-16941</li> <li>■ TPE manufactured under DIN-16941</li> </ul>
Protective flap	<ul style="list-style-type: none"> <li>■ Detachable with soft TPE connection and double-sided adhesive tape</li> </ul>
Fixation	<ul style="list-style-type: none"> <li>■ Plastic nails Z21</li> </ul>
Seal	<ul style="list-style-type: none"> <li>■ PUR sealing strip, 12 mm, type BG1</li> <li>■ Watertight for joints of 3-9mm</li> </ul>
Mesh	<ul style="list-style-type: none"> <li>■ Min. 160 g/m<sup>2</sup> approved for compound heat insulation systems</li> <li>■ 12.5 cm wide – MW 4x4 mm</li> <li>■ Ultrasonic welded</li> </ul>
Accessories	<ul style="list-style-type: none"> <li>■ Z21-2000 APU plastic nails</li> <li>■ Z14-0000 APU-plug connectors</li> </ul>
Inspections	<ul style="list-style-type: none"> <li>■ VDPM leaflet: Class A without adhesive connection</li> <li>■ Ö-Norm 6400-2: Class III</li> </ul>

## Important information

Storage	Always store profiles laid down in a dry place.
Test of adhesion	No test of adhesion required.
Other applications	Any applications not clearly described in the documents may be implemented only after consultation with the plaster or ETICS manufacturer.
Selection criteria	Adhere to the latest APU selection criteria. ▶ see APU selection criteria

For information on materials, areas of use, tests and correct application, please refer to our 'General Advice and Information'



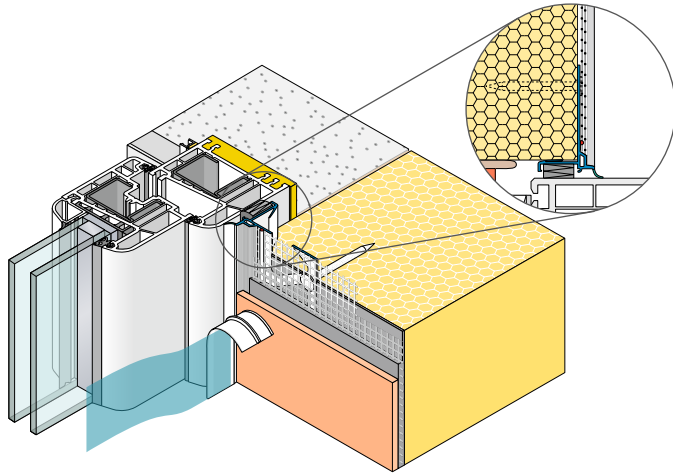
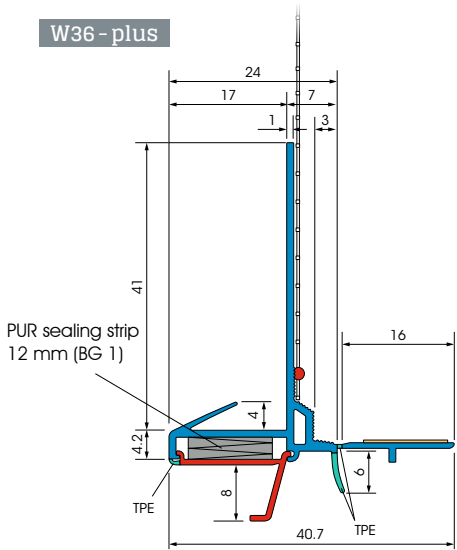
W36 - plus

W36 - pro

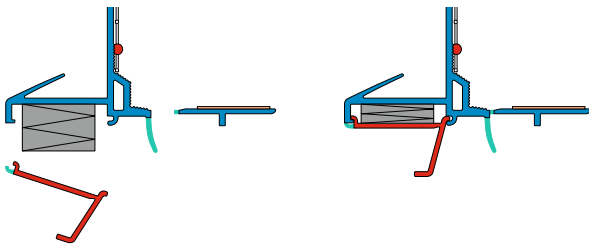


### Details

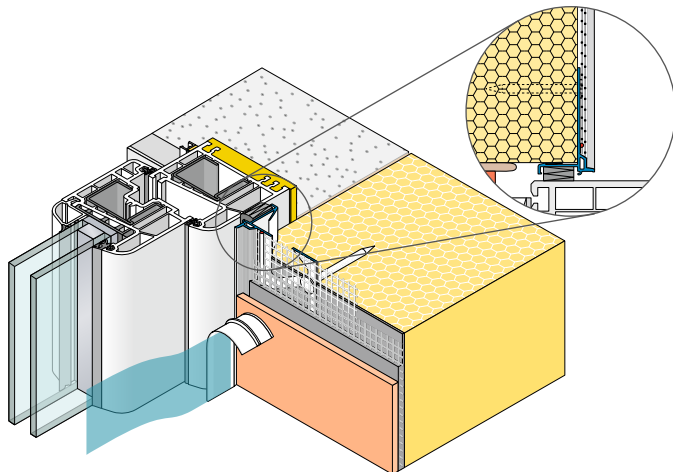
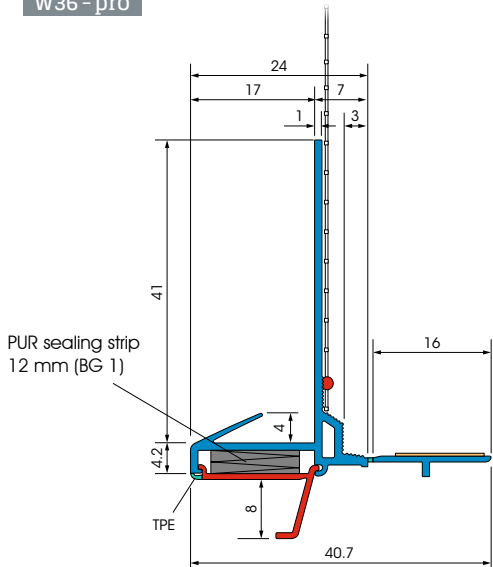
W36 - plus



Function



W36 - pro



Function

