



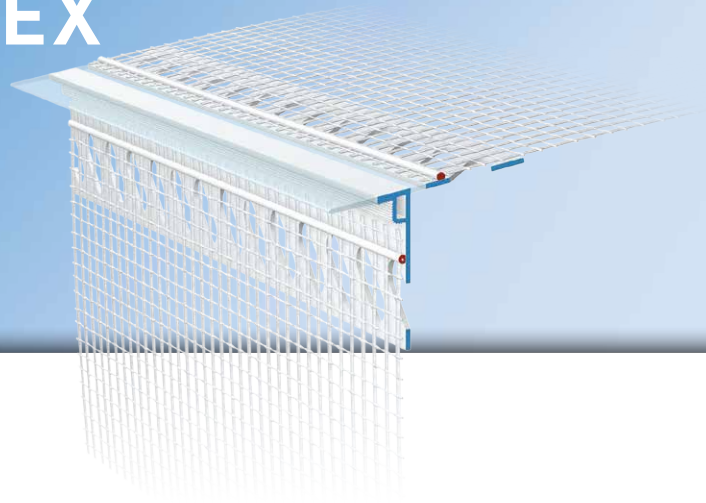
W43

**APU**<sup>®</sup>

PROFILES FOR COMPOUND HEAT INSULATION SYSTEMS

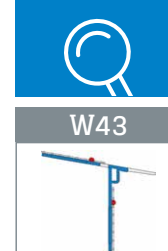
Stop bead with mesh

# FEBA-DUO-TEX

With soft drip edge and  
12.5 cm mesh

The **APU stop bead with mesh FEBA-DUO-TEX** is used in compound heat insulation systems. When a second sealant layer is being created, it forms a clean plaster termination under the window sill.

The profile has 2 plastic wings. As a result of the specified profile contour the required slope of at least 5 degrees is adhered to around the window sill. The top wing is for applying a suitable sealing compound. It is connected together with a soft connection and can thus be flexibly adapted to the appropriate angle of slope. There is a strip of mesh welded to both wings. Each bar has a fabric overhang on one side of 10cm in the lengthways direction. Using the plug connectors (Z14) provided, the profiles can be aligned together flush where they butt up with each other. The soft, transparent drip edge accurately guides water away.



## Design

|  | ITEM NO. | LENGTH | PACKAGING UNIT | WEIGHT (per PU) |
|--|----------|--------|----------------|-----------------|
|--|----------|--------|----------------|-----------------|

### FEBA-DUO-TEX stop bead with mesh

|      |   |                 |       |                |        |
|------|---|-----------------|-------|----------------|--------|
| W43: | With soft transparent drip edge and 2x 12.5 cm mesh | <b>W43-2000</b> | 2.0 m | 15 bars = 30 m | 5.2 kg |
|------|---|-----------------|-------|----------------|--------|

## Features

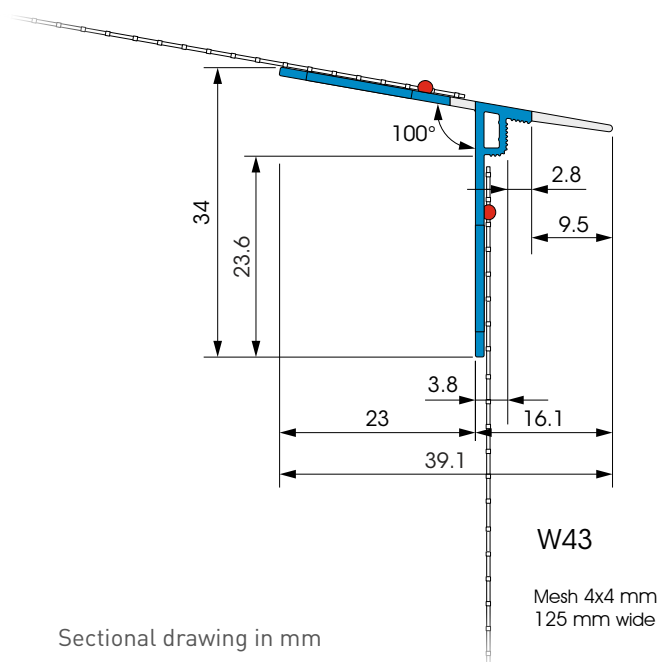
|             | FEBA-DUO-TEX STOP BEAD WITH MESH   |
|-------------|--|
| Material    | <ul style="list-style-type: none"> <li>■ Rigid PVC manufactured under DIN 16941</li> <li>■ Soft PVC – transparent</li> </ul>   |
| Seal        | <ul style="list-style-type: none"> <li>■ By others</li> </ul>  |
| Mesh        | <ul style="list-style-type: none"> <li>■ Min. 160 g/m<sup>2</sup> approved for compound heat insulation systems</li> <li>■ MW 4x4 mm</li> <li>■ Ultrasonic welded</li> </ul> |
| Accessories | <ul style="list-style-type: none"> <li>■ Z14-0000 Plug connectors (1 bag)</li> </ul>   |

## Important information

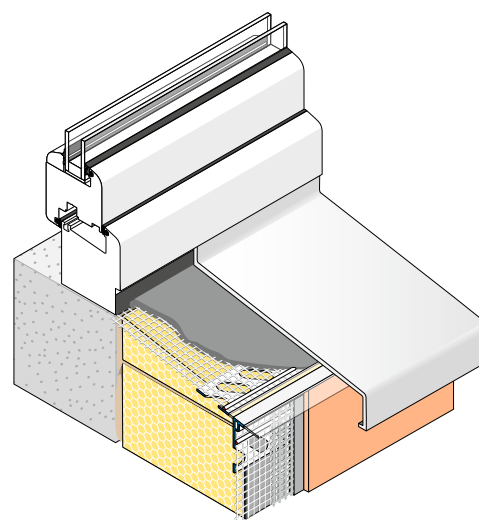
|                    |  |
|--------------------|--|
| Storage            | Always store profiles laid down in a dry place.  |
| Other applications | Any applications not clearly described in the documents may be implemented only after consultation with the plaster or ETICS manufacturer. |

For information on materials, areas of use, tests and correct application, please refer to our 'General Advice and Information'

## Details



Sectional drawing in mm



Application drawing