



W62 - 1



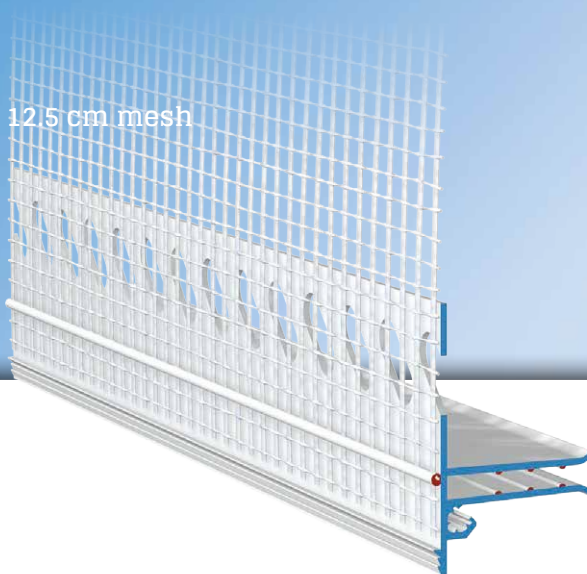
APU®

PROFILES FOR COMPOUND HEAT INSULATION SYSTEMS

Clip-on profile

UNO

With straight drip edge and 12.5 cm mesh



The **APU clip-on profile UNO** is used horizontally in compound heat insulation systems e.g., for plaster joints up against shutter boxes or in the base area. The straight profile contour provides a reliable solution in respect of downward guidance of water.

The profile has a punched plaster bar. Welded onto the plaster limb is a fabric strip. Each bar has a fabric overhang on one side of 10cm in the lengthways direction. The bottom U-bar is used for perfectly fitting attachment to the existing structural element. The included plug connectors (Z13) and inner and outer corners (Z18-1) enable the profiles to be joined and fitted very precisely.

What is created after completion of the plastering work is a clean termination of the plaster.



W62 - 1



Design

	ITEM NO.	LENGTH	PACKAGING UNIT	WEIGHT (per PU)
--	----------	--------	----------------	-----------------

UNO clip-on profile

W62 - 1

With straight drip edge and 12.5 cm mesh **W62-1-2100** 2.1 m 10 bars = 21 m 4.0 kg

Features

	UNO CLIP-ON PROFILE
Material	<ul style="list-style-type: none"> ■ Rigid PVC manufactured under DIN-16941
Mesh	<ul style="list-style-type: none"> ■ Min. 160 g/m² approved for compound heat insulation systems ■ 12.5 cm wide – MW 4x4 mm ■ Ultrasonic welded
Accessories	<ul style="list-style-type: none"> ■ Z13-0000 Plug connectors (1 bag) ■ Z18-1-1010i Internal corners (2 pieces) ■ Z18-1-1010a External corners (4 pieces)

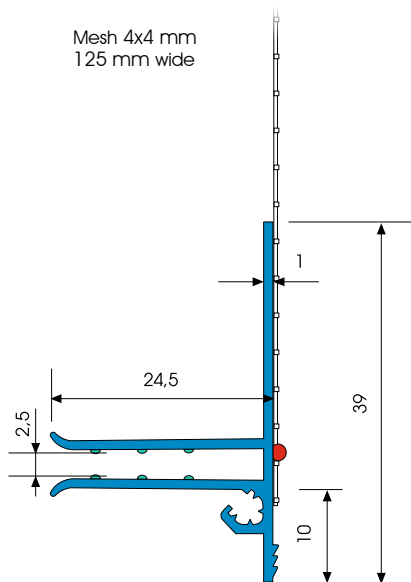
Important information

Storage Always store profiles laid down in a dry place.

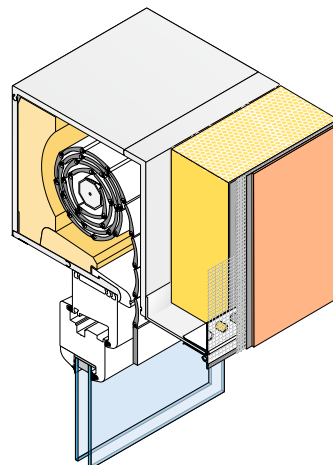
Other applications Any applications not clearly described in the documents may be implemented only after consultation with the plaster or ETICS manufacturer.

For information on materials, areas of use, tests and correct application, please refer to our 'General Advice and Information'

Details



Sectional drawing in mm



Application drawing