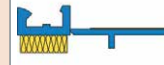




A11



A11 - plus



APU®

PLASTER JOINT PROFILES FOR INTERIOR AND EXTERIOR PLASTERING

Window reveal bead

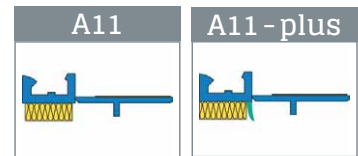
MINI

9 mm



The **APU window reveal bead MINI** is used with indoor and outdoor plaster systems as specified by the latest APU selection criteria. Within the reveal the profile is stuck flush to the structural element there and thus forms a clean and reliable termination of the plaster.

The 9 mm wide profile comes with a self-adhesive PE foam tape, which ensures a water-tight, lasting seal. The profile is available in two versions: without protective lip (A11) and with protective lip (A11 - plus). There is a piece of self-adhesive tape on protective flap in order to secure the third-party protective film. This protects the window during the plastering work. After completion of these tasks, the protective flap is pulled off and what is created is a clean edge to the plaster.



Design

	ITEM NO.	LENGTH	PACKAGING UNIT	WEIGHT (per PU)
--	----------	--------	----------------	-----------------

Window reveal bead MINI

9 mm

A11

■ Window reveal bead MINI	A11-2400	2.4 m	20 bars = 48 m	3.2 kg
---------------------------	----------	-------	----------------	--------

A11-plus

■ Window reveal bead MINI-plus with protective lip	A11-25PLUS	2.5 m	20 bars = 50 m	3.6 kg
--	------------	-------	----------------	--------

Features

	WINDOW REVEAL BEAD MINI	- PLUS
Material	<ul style="list-style-type: none"> ■ Rigid PVC manufactured under DIN-16941 	<ul style="list-style-type: none"> ■ Rigid PVC manufactured under DIN-16941 ■ TPE manufactured under DIN-16941
Protective flap	<ul style="list-style-type: none"> ■ Detachable with soft TPE connection and double-sided adhesive tape 	
Features		<ul style="list-style-type: none"> ■ TPE protective lip
Seal	<ul style="list-style-type: none"> ■ PE foam tape 8x3 mm 	
Inspections	<ul style="list-style-type: none"> ■ Component testing acc. to DIN 4108 ■ Material testing according to MO-01 	

Important information

Storage	Always store profiles laid down in a dry place.
Test of adhesion	Perform adhesion test. ▶ See general tips – APU test of adhesion
Other applications	Any applications not clearly described in the documents may be implemented only after consultation with the plaster or ETICS manufacturer.

For information on materials, areas of use, tests and correct application, please refer to our 'General Advice and Information'



A11

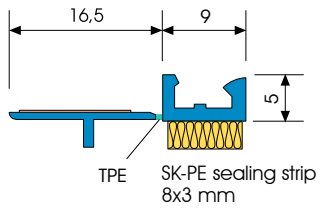


A11-plus

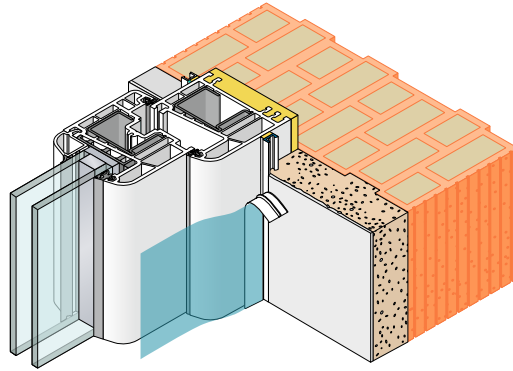


Details

A11

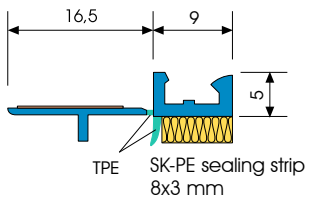


Sectional drawing in mm

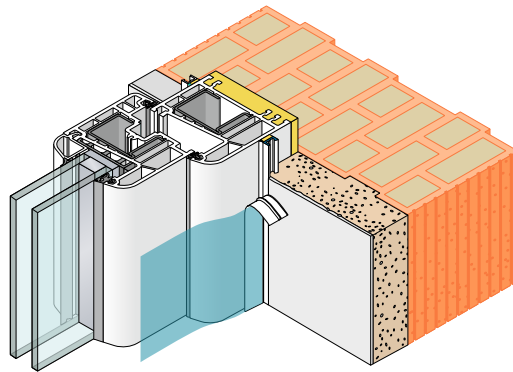


Application drawing

A11-plus



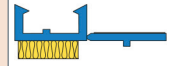
Sectional drawing in mm



Application drawing



A13



APU®

PLASTER JOINT PROFILES FOR INTERIOR AND EXTERIOR PLASTERING

Window reveal bead

MIDI

12 mm



The **APU window reveal bead MIDI** is used with indoor and outdoor plaster systems as specified by the latest APU selection criteria. Within the reveal the profile is stuck flush to the structural element there and thus forms a clean and reliable termination of the plaster.

The 12 mm wide profile comes with a self-adhesive PE foam tape, which ensures a watertight, lasting seal. There is a piece of self-adhesive tape on protective flap in order to secure the third-party protective film. This protects the window during the plastering work. After completion of these tasks, the protective flap is pulled off and what is created is a clean edge to the plaster.



Design

	ITEM NO.	LENGTH	PACKAGING UNIT	WEIGHT (per PU)
--	----------	--------	----------------	-----------------

Window reveal bead MIDI

A13	A13-2400	2.4 m	30 bars = 72 m	5.3 kg
-----	----------	-------	----------------	--------

Features

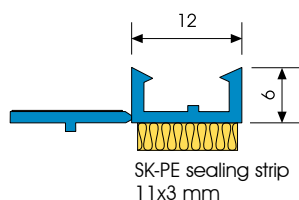
	WINDOW REVEAL BEAD MIDI
Material	■ Rigid PVC manufactured under DIN-16941
Protective flap	■ Detachable with double-sided adhesive tape
Seal	■ PE foam tape 11 x 3 mm

Important information

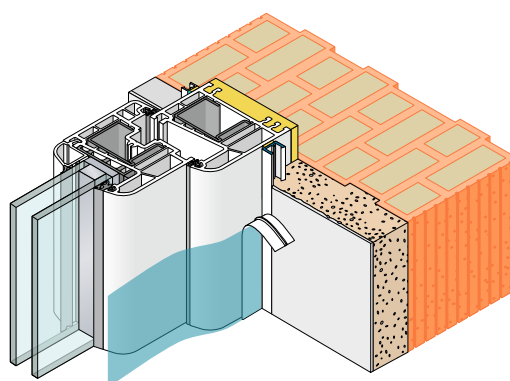
Storage	Always store profiles laid down in a dry place.
Test of adhesion	Perform adhesion test. ▶ See general tips – APU test of adhesion
Other applications	Any applications not clearly described in the documents may be implemented only after consultation with the plaster or ETICS manufacturer.

For information on materials, areas of use, tests and correct application, please refer to our 'General Advice and Information'

Details



Sectional drawing in mm



Application drawing



A14

**APU**[®]

PLASTER JOINT PROFILES FOR INTERIOR AND EXTERIOR PLASTERING

Window reveal bead **UNIVERSAL**

15 mm



The **APU window reveal bead UNIVERSAL** is used with indoor and outdoor plaster systems as specified by the latest APU selection criteria. Within the reveal the profile is stuck flush to the structural element there and thus forms a clean and reliable termination of the plaster.

The 15 mm wide profile comes with a self-adhesive PE foam tape, which ensures a watertight, lasting seal. There is a piece of self-adhesive tape on protective flap in order to secure the third-party protective film. This protects the window during the plastering work. After completion of these tasks, the protective flap is pulled off and what is created is a clean edge to the plaster.



Design

	ITEM NO.	LENGTH	PACKAGING UNIT	WEIGHT (per PU)
--	----------	--------	----------------	-----------------

Window reveal bead UNIVERSAL

A14	A14-2400	2.4 m	30 bars = 72 m	7.5 kg
-----	----------	-------	----------------	--------

Features

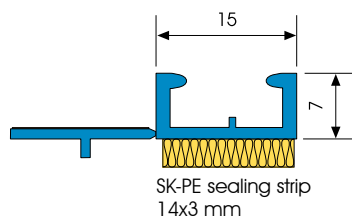
	WINDOW REVEAL BEAD UNIVERSAL
Material	■ Rigid PVC manufactured under DIN-16941
Protective flap	■ Detachable with double-sided adhesive tape
Seal	■ PE foam tape 14x3 mm

Important information

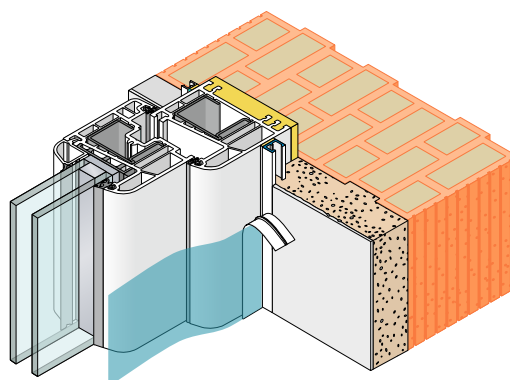
Storage	Always store profiles laid down in a dry place.
Test of adhesion	Perform adhesion test. ▶ See general tips – APU test of adhesion
Other applications	Any applications not clearly described in the documents may be implemented only after consultation with the plaster or ETICS manufacturer.

For information on materials, areas of use, tests and correct application, please refer to our 'General Advice and Information'

Details



Sectional drawing in mm



Application drawing



A17 - plus

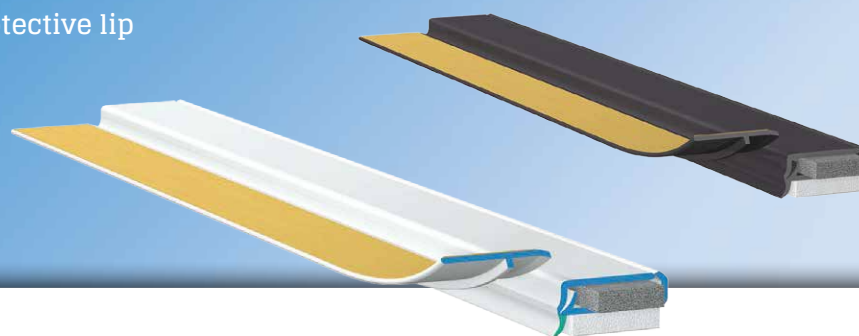


APU[®]

PLASTER JOINT PROFILES FOR INTERIOR AND EXTERIOR PLASTERING

Window reveal bead ELASTIK-plus

17 mm, with protective lip

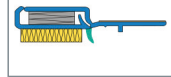


The **APU window reveal bead ELASTIK-plus** is used in the reveal on clinker façades or two-skin masonry.

The profile comes with a self-adhesive PE foam tape, which ensures a watertight, lasting seal. A TPE protective lip protects the PE foam tape and forms a visually clean termination with the structural element. The integrated expanding PUR sealing strip is able to absorb relatively large movements in the area around the joint. When the work is finished, this gets activated by removing the protective flap and covering tab. The result is a clean finish with the component.



A17-plus



Design

	ITEM NO.	LENGTH	PACKAGING UNIT	WEIGHT (per PU)
--	----------	--------	----------------	-----------------

Window reveal bead ELASTIK-plus

A17-plus 17 mm, with protective lip	A17-24PLUS	2.4 m	30 bars = 72 m	9.9 kg
Grey, similar to RAL 7022	A17-24PLUS-7022	2.4 m	30 bars = 72 m	9.9 kg

Features

	WINDOW REVEAL BEAD ELASTIK-PLUS
Material	<ul style="list-style-type: none"> ■ Rigid PVC manufactured under DIN-16941 ■ TPE manufactured under DIN-16941
Protective flap	<ul style="list-style-type: none"> ■ Detachable with double-sided adhesive tape
Features	<ul style="list-style-type: none"> ■ PUR sealing strip, 10 mm, type BG1 ■ Watertight for joints of 3-9mm
Seal	<ul style="list-style-type: none"> ■ PE foam tape 14x3 mm
Inspections	<ul style="list-style-type: none"> ■ VDPM leaflet: Class A with adhesive connection ■ Ö-Norm 6400-2: Class III

Important information

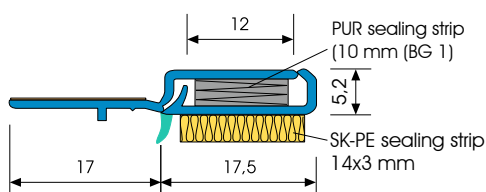
Storage	Always store profiles laid down in a dry place.
Test of adhesion	Perform adhesion test. ▶ See general tips – APU test of adhesion
Other applications	Any applications not clearly described in the documents may be implemented only after consultation with the plaster or ETICS manufacturer.

For information on materials, areas of use, tests and correct application, please refer to our 'General Advice and Information'

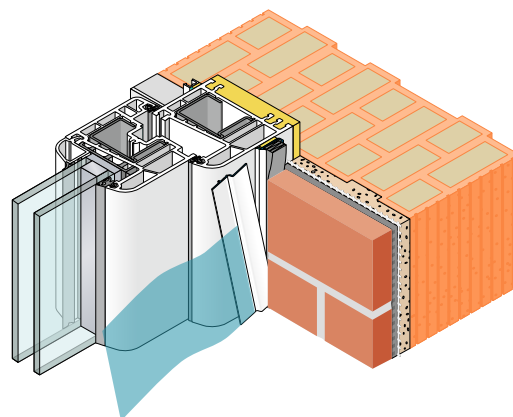
Details



Function



Sectional drawing in mm



Application drawing



A21

APU[®]

PLASTER JOINT PROFILES FOR INTERIOR AND EXTERIOR PLASTERING

Corner bead

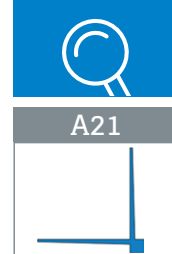
DUO

For thin-level plasters
or fabric wallpaper



The **APU corner bead DUO** is used in interior and exterior plaster systems for forming a flush, exact plaster edge.

The profile has a reinforced, visible edge in the corner area. The plaster bars come in different versions: with holes (A21-2000 for thin layers of plaster), or with no holes (A21-2050 for fabric wallpaper).



Design

	ITEM NO.	LENGTH	PACKAGING UNIT	WEIGHT (per PU)
--	----------	--------	----------------	-----------------

Corner bead DUO

A21:

Drilled for thin-level plasters	A21-2000	2.0 m	100 bars = 200 m	13.0 kg
Undrilled for fabric wallpaper	A21-2050 *	2.0 m	100 bars = 200 m	13.0 kg

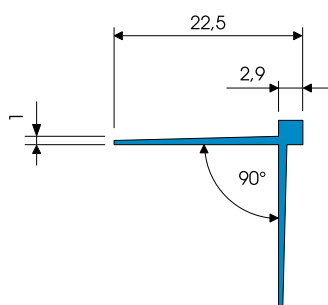
* not permanently on stock, delivery time on request

Features

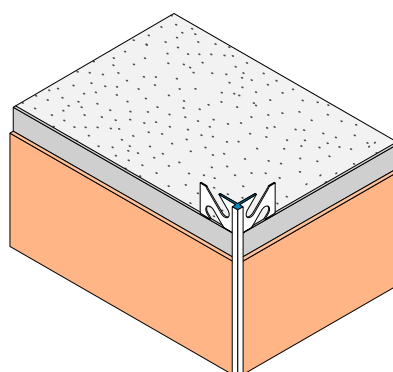
	CORNER BEAD
--	-------------

Material ■ Rigid PVC manufactured under DIN-16941

Details



Sectional drawing in mm



Application drawing



A22



APU[®]

PLASTER JOINT PROFILES FOR INTERIOR AND EXTERIOR PLASTERING

Corner bead

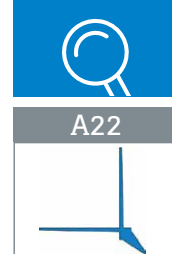
DUO

For thick-level plasters



The **APU corner bead DUO** is used in interior and exterior plaster systems for forming a flush, exact plaster edge.

The profile has a reinforced edge in the corner area. The plaster bars have holes and are suited to a thick-layer system.



Design

	ITEM NO.	LENGTH	PACKAGING UNIT	WEIGHT (per PU)
--	----------	--------	----------------	-----------------

Corner bead DUO

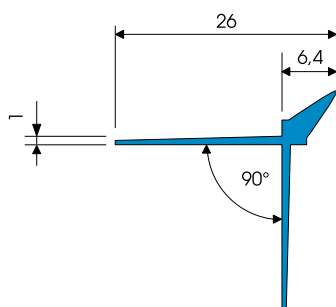
A22:

Drilled for thick-level plasters **A22-2000** 2.0 m 50 bars = 100 m 6.1 kg

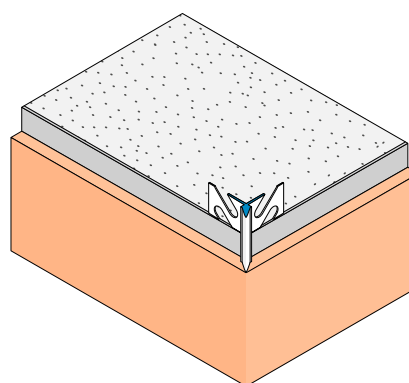
Features

	CORNER BEAD
Material	■ Rigid PVC manufactured under DIN-16941

Details



Sectional drawing in mm



Application drawing



A23

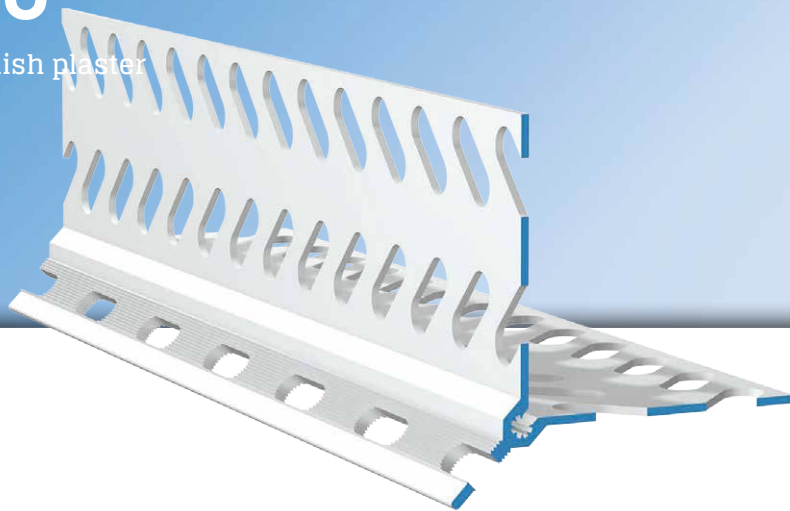


APU®

PLASTER JOINT PROFILES FOR INTERIOR AND EXTERIOR PLASTERING

Corner bracket **STABILO**

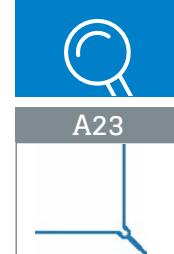
With edge for float-finish plaster



The **APU corner bracket STABILO** is used in interior and exterior plaster systems for forming a flush, exact plaster edge.

The edge of the profile has holes and ribs in the corner area. Where they abut, the corner brackets are connected using the plug connector (Z13).

The corner bracket comes in 3 different edge formations: 12, 15 und 21 mm.



Design

	ITEM NO.	LENGTH	PACKAGING UNIT	WEIGHT (per PU)
--	----------	--------	----------------	-----------------

STABILO corner bracket

A23:				
8 mm	A23-2008 *	2.0 m	25 bars = 50 m	12.0 kg
11 mm	A23-2011 *	2.0 m	25 bars = 50 m	12.7 kg
17 mm	A23-2017 *	2.0 m	25 bars = 50 m	14.1 kg

* not permanently on stock, delivery time on request

Features

	CORNER BRACKET
Material	<ul style="list-style-type: none"> ■ Rigid PVC manufactured under DIN-16941
Accessories	<ul style="list-style-type: none"> ■ Z13-0000 Plug connectors

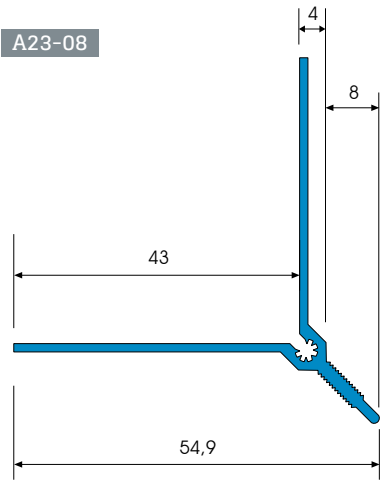


A23:

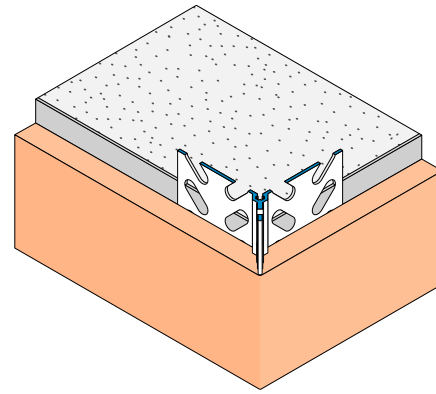


Details

A23-08

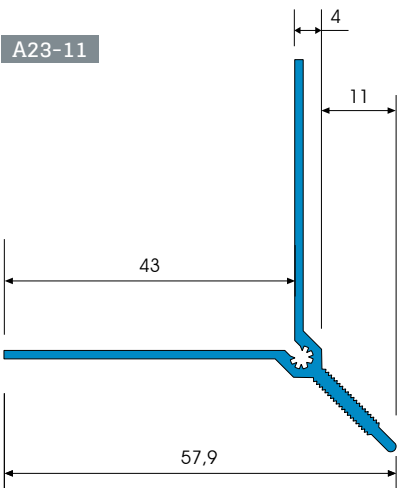


Sectional drawing in mm

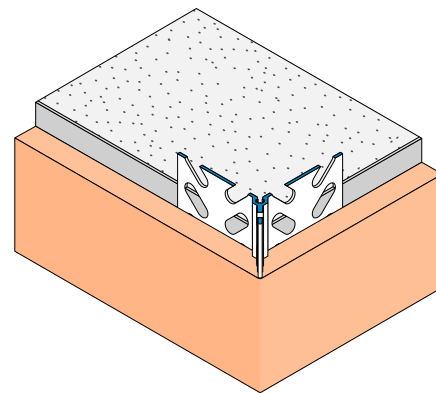


Application drawing

A23-11

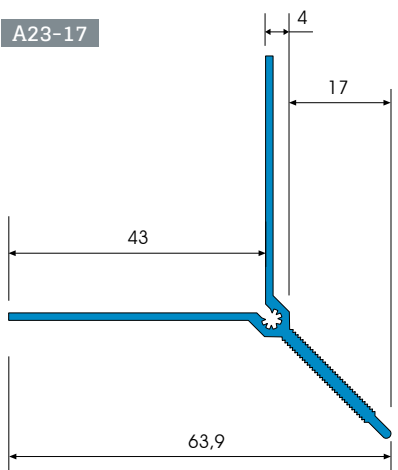


Sectional drawing in mm

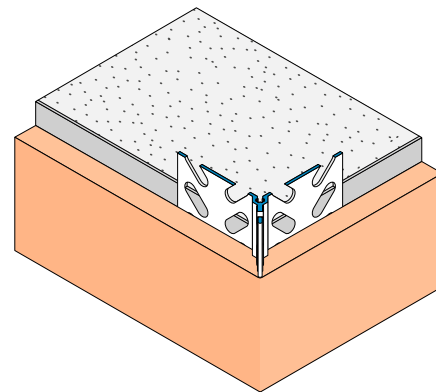


Application drawing

A23-17



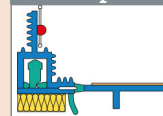
Sectional drawing in mm



Application drawing



A30 - plus



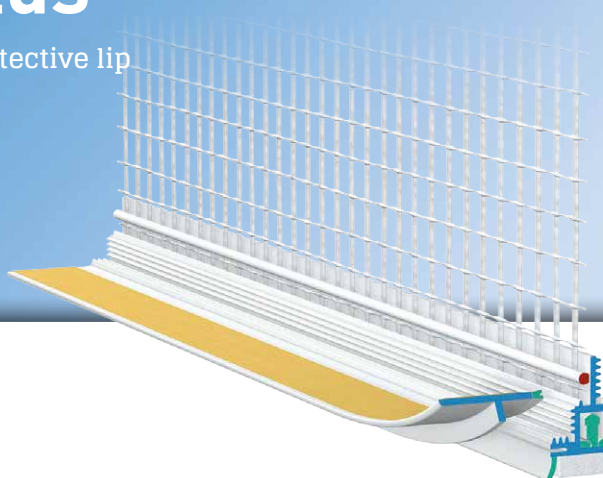
APU®

PLASTER JOINT PROFILES FOR INTERIOR AND EXTERIOR PLASTERING

Telescopic window reveal bead

IDEAL-plus

With flexible edge and protective lip



The **APU telescopic window reveal bead IDEAL-plus** is used indoor and outdoor plaster systems as specified by the latest APU selection criteria. Within the reveal the profile is stuck flush to the structural element there and after completion of the plastering work forms a clean and reliable termination of the plaster.

The profile comes with a self-adhesive PE foam tape, which ensures a watertight, lasting seal. A TPE protective lip protects the PE foam tape and forms a visually clean termination with the structural element. The integrated telescopic mechanism can absorb movements in any direction in the area around the joint. There is a fabric window reveal bead welded onto the profile. It provides added reliability for the interlocking within the plaster. There is a piece of self-adhesive tape on protective flap in order to secure the third-party protective film. This protects the window during the plastering work. After completion of these tasks, the protective flap is pulled off and what is created is a clean edge to the plaster.



Design

	ITEM NO.	LENGTH	PACKAGING UNIT	WEIGHT (per PU)
--	----------	--------	----------------	-----------------

IDEAL-plus telescopic window reveal bead with fabric

A30-plus	A30-24PLUS	2.4 m	25 bars = 60 m	8 kg
----------	-------------------	-------	----------------	------

Features

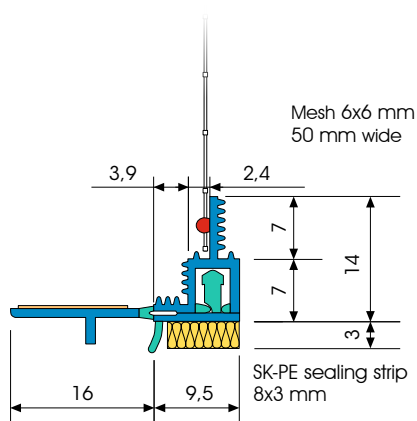
	TELESCOPIC WINDOW REVEAL BEAD
Material	<ul style="list-style-type: none"> ■ Rigid PVC manufactured under DIN-16941 ■ TPE manufactured under DIN-16941
Protective flap	<ul style="list-style-type: none"> ■ Detachable with soft TPE connection and double-sided adhesive tape
Features	<ul style="list-style-type: none"> ■ Telescopic bar with flexible TPE connection
Seal	<ul style="list-style-type: none"> ■ PE foam tape 8x3 mm
Mesh	<ul style="list-style-type: none"> ■ Min. 160g/m² approved for compound heat insulation systems ■ 5 cm wide – MW 6x6 mm ■ Ultrasonic welded

Important information

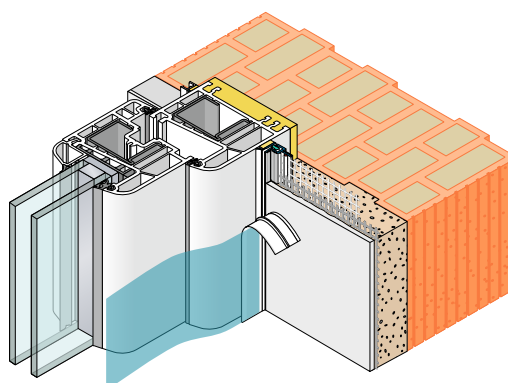
Storage	Always store profiles laid down in a dry place.
Test of adhesion	Perform adhesion test. ▶ See general tips – APU test of adhesion
Other applications	Any applications not clearly described in the documents may be implemented only after consultation with the plaster or ETICS manufacturer.

For information on materials, areas of use, tests and correct application, please refer to our 'General Advice and Information'

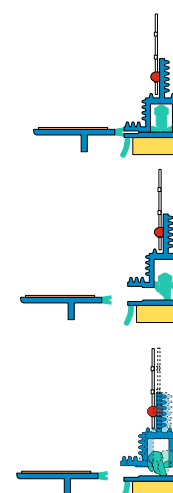
Details



Sectional drawing in mm



Application drawing



Function



A 35



A 35 - pro



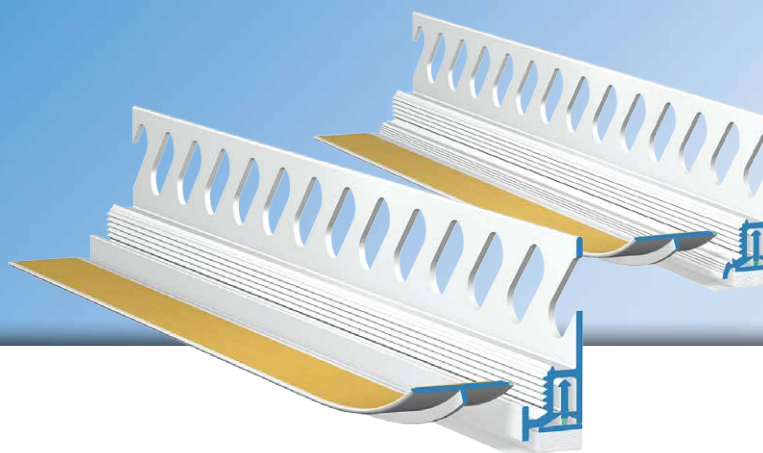
APU®

PLASTER JOINT PROFILES FOR INTERIOR AND EXTERIOR PLASTERING

Telescopic window reveal bead

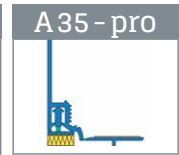
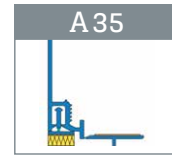
FLEX

With flexible edge



The **APU telescopic window reveal bead FLEX** is used indoor and outdoor plaster systems as specified by the latest APU selection criteria. Within the reveal the profile is stuck flush to the structural element there and after completion of the plastering work forms a clean and reliable termination of the plaster.

The profile comes with a self-adhesive PE foam tape, which ensures a watertight, lasting seal. The integrated telescopic mechanism can absorb movements in any direction in the area around the joint. The profiles can be joined overlapping where the elements abut. A punched PVC bar provides added reliability for the interlocking within the plaster. Depending on version, the profile is available with a visible draw-off bar (A35) or an edge that can be plastered over (A35 - pro). There is a piece of self-adhesive tape on protective flap in order to secure the third-party protective film. This protects the window during the plastering work. After completion of these tasks, the protective flap is pulled off and what is created is a clean edge to the plaster.



Design

	ITEM NO.	LENGTH	PACKAGING UNIT	WEIGHT (per PU)
--	----------	--------	----------------	-----------------

Telescopic window reveal bead FLEX

With flexible edge

A 35

■ FLEX window reveal bead with skimming edge	A35-25	2.5 m	30 bars = 75 m	10.0 kg
--	---------------	-------	----------------	---------

A 35 - pro

■ FLEX-pro window reveal bead with shadow gap	A35-25PRO	2.5 m	30 bars = 75 m	9.9 kg
---	------------------	-------	----------------	--------

Features

	PRODUCT GROUP
Material	<ul style="list-style-type: none"> ■ Rigid PVC manufactured under DIN-16941 ■ TPE manufactured under DIN-16941
Protective flap	■ Detachable with soft TPE connection and double-sided adhesive tape
Features	■ Telescopic bar with flexible TPE connection
Seal	■ PE foam tape 7x3 mm
Inspections	■ VDPM leaflet: Class A with adhesive connection

Important information

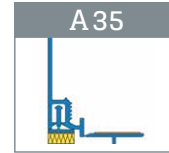
Storage	Always store profiles laid down in a dry place.
Test of adhesion	Perform adhesion test. ▶ See <i>general tips – APU test of adhesion</i>
Other applications	Any applications not clearly described in the documents may be implemented only after consultation with the plaster or ETICS manufacturer.

For information on materials, areas of use, tests and correct application, please refer to our 'General Advice and Information'



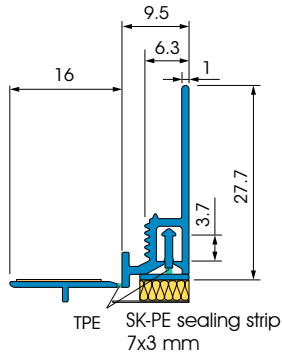
A 35

A 35 - pro

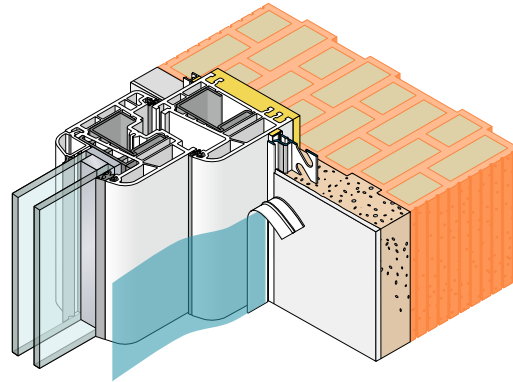


Details

A 35

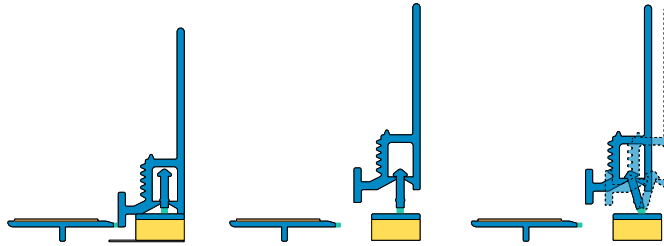


Sectional drawing in mm

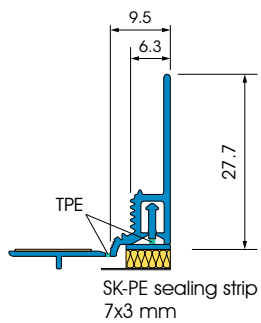


Application drawing

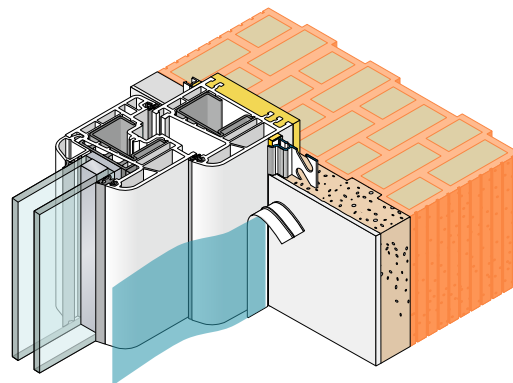
Function



A 35 - pro

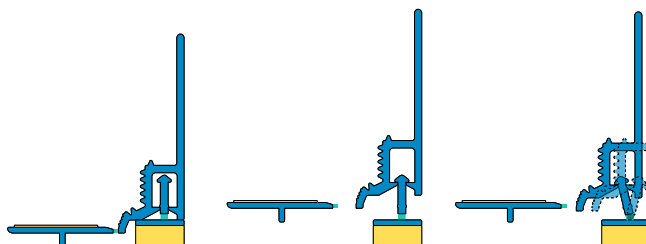


Sectional drawing in mm



Application drawing

Function





W11



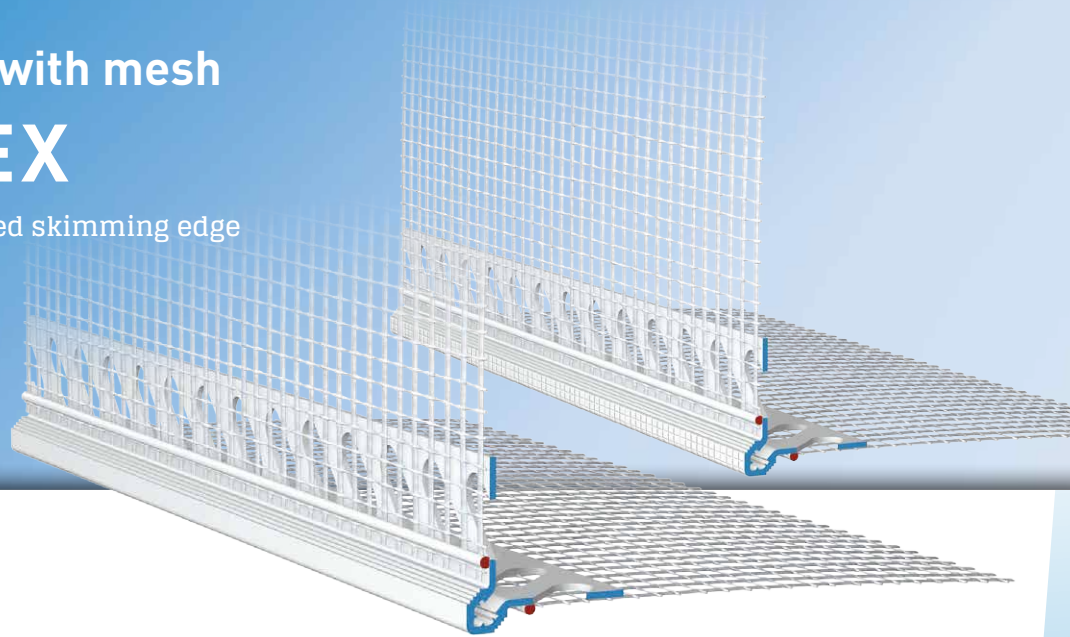
APU[®]

PROFILES FOR COMPOUND HEAT INSULATION SYSTEMS

Corner bead with mesh

DUO-TEX

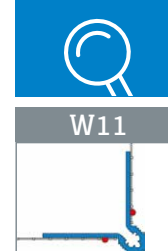
With smooth or knurled skimming edge
and 2 x mesh 12.5 cm



The **APU corner bead with mesh DUO-TEX** is used in compound heat insulation systems as a flush, impact-protected edge for thin top layers of plaster.

The corner bracket has 2 perforated wings to each of which a strip of mesh is welded. Each bar has a fabric overhang on one side of 10cm in the lengthways direction. The filler filaments serve as a skimming bar for the reinforcement base plaster. The skimming edge is offered in 2 versions (smooth edge for visible / painted over finish – knurled edge for plastering over) and ensures the correct application thickness of the entire plaster system. The plug connectors provided (Z13) enable the profiles to be connected together flush with each other.

Upon completion of the plastering work what is produced is a clean plaster corner.



Design

	ITEM NO.	LENGTH	PACKAGING UNIT	WEIGHT (per PU)
--	----------	--------	----------------	-----------------

DUO-TEX corner bead with mesh

W11

With 2 x 12.5 cm mesh

Smooth skimming edge	W11-2000	2.0 m	25 bars = 50 m	7.5 kg
Knurled skimming edge	W11-2050	2.0 m	25 bars = 50 m	6.9 kg
	W11-2550	2.5 m	25 bars = 62.5 m	8.6 kg

Features

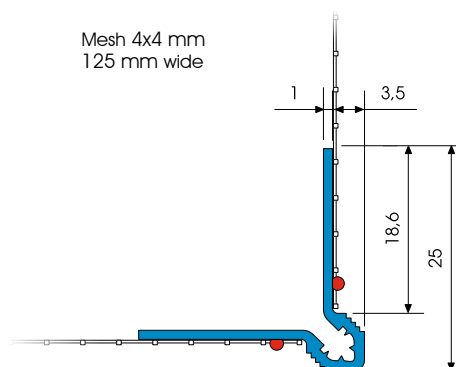
	DUO-TEX CORNER BEAD WITH MESH
Material	<ul style="list-style-type: none"> ■ Rigid PVC manufactured under DIN-16941
Mesh	<ul style="list-style-type: none"> ■ Min. 160 g/m² approved for compound heat insulation systems ■ 2 x 12.5 cm wide – MW 4x4 mm ■ Ultrasonic welded
Accessories	<ul style="list-style-type: none"> ■ Z13-0000 Plug connectors (1 bag)

Important information

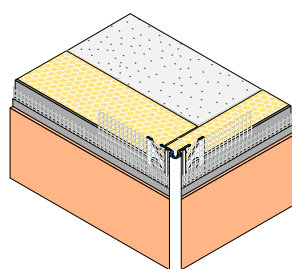
Storage	Always store profiles laid down in a dry place.
Other applications	Any applications not clearly described in the documents may be implemented only after consultation with the plaster or ETICS manufacturer.

For information on materials, areas of use, tests and correct application, please refer to our 'General Advice and Information'

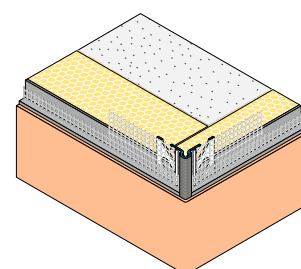
Details



Sectional drawing in mm



Application drawing W11 (drawing with visible profile edge)



Application drawing W11-cod (drawing with profile edge that can be plastered over)



W12



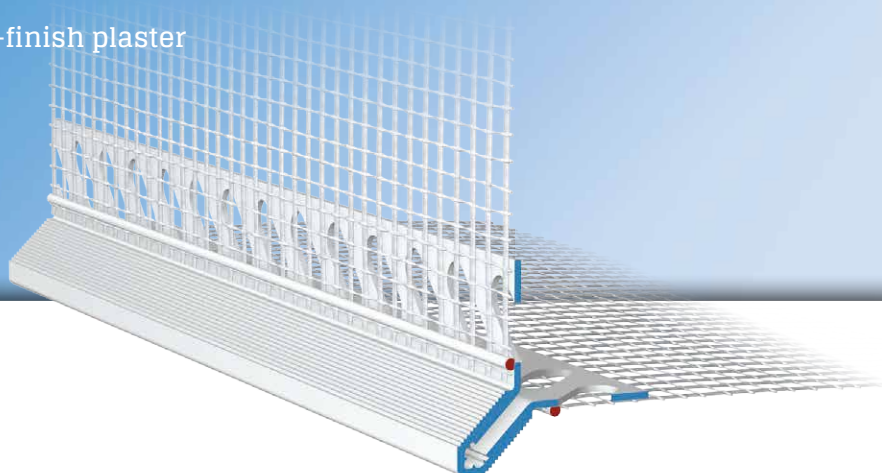
APU[®]

PROFILES FOR COMPOUND HEAT INSULATION SYSTEMS

Corner bead with mesh

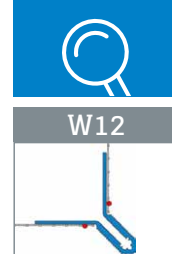
DUO-TEX-K

With edge for float-finish plaster



The **APU corner bead with mesh DUO-TEX** is used in compound heat insulation systems as a flush, impact-protected edge for float-finish plaster and thick plaster layers.

The corner bracket has 2 perforated wings to each of which a strip of mesh is welded. Each bar has a fabric overhang on one side of 10cm in the lengthways direction. The filler filaments serve as a skimming bar for the reinforcement base plaster. The skimming edge ensures the correct application thickness of the entire plaster system. The plug connectors provided (Z13) enable the profiles to be connected together flush with each other. Upon completion of the plastering work what is produced is a clean plaster corner.



Design

	ITEM NO.	LENGTH	PACKAGING UNIT	WEIGHT (per PU)
--	----------	--------	----------------	-----------------

DUO-TEX-K corner bead with mesh

W12 With edge for float-finish plaster	W12-2000	2.0 m	25 bars = 50 m	8.5 kg
---	----------	-------	----------------	--------

Features

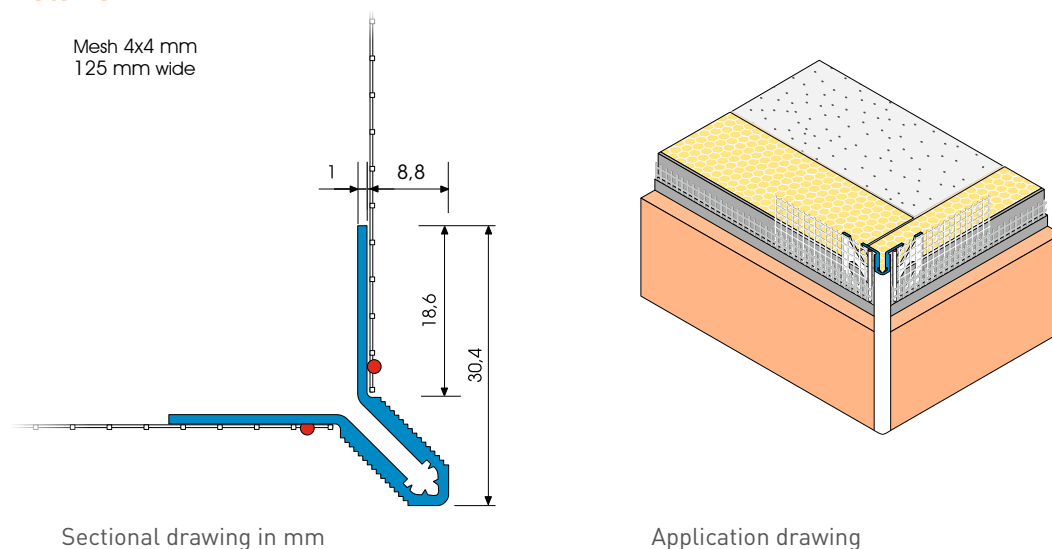
	DUO-TEX-K CORNER BEAD WITH MESH
Material	<ul style="list-style-type: none"> ■ Rigid PVC manufactured under DIN-16941
Mesh	<ul style="list-style-type: none"> ■ Min. 160 g/m² approved for compound heat insulation systems ■ 2 x 12.5 cm wide – MW 4 x 4 mm ■ Ultrasonic welded
Accessories	<ul style="list-style-type: none"> ■ Z13-0000 Plug connectors (1 bag)

Important information

Storage	Always store profiles laid down in a dry place.
Other applications	Any applications not clearly described in the documents may be implemented only after consultation with the plaster or ETICS manufacturer.

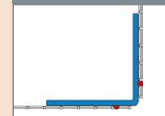
For information on materials, areas of use, tests and correct application, please refer to our 'General Advice and Information'

Details





W13



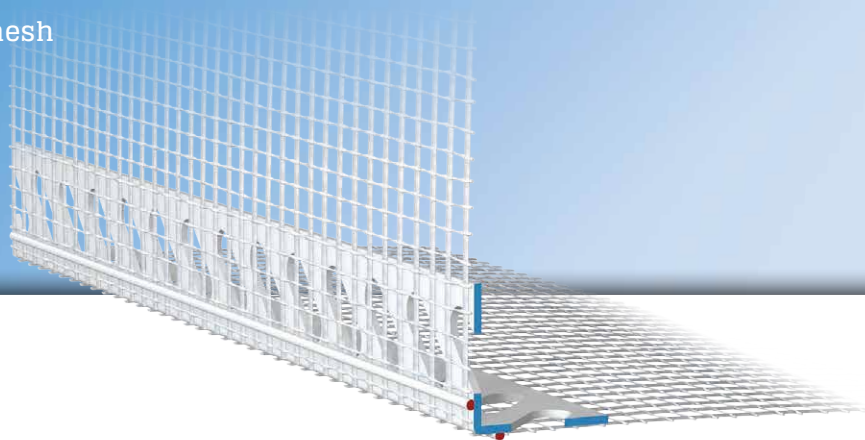
APU[®]

PROFILES FOR COMPOUND HEAT INSULATION SYSTEMS

Corner bead with mesh

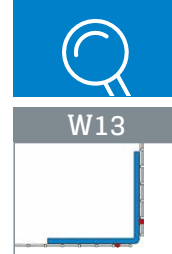
ULTRA-TEX

With 2 x 12.5 cm mesh



The **APU corner bead with mesh ULTRA-TEX** is used in compound heat insulation systems as a flush, impact-protected edge for thin top layers of plaster.

The corner bracket has 2 perforated wings to each of which a strip of mesh is welded. The filler filaments serve as a skimming bar for the application of plaster. Upon completion of the plastering work what is produced is a clean plaster corner.



Design

	ITEM NO.	LENGTH	PACKAGING UNIT	WEIGHT (per PU)
--	----------	--------	----------------	-----------------

ULTRA-TEX corner bead with mesh

W13 With 2 x 12.5 cm mesh	W13-2000	2.0 m	50 bars = 100 m	11.7 kg
------------------------------	----------	-------	-----------------	---------

Features

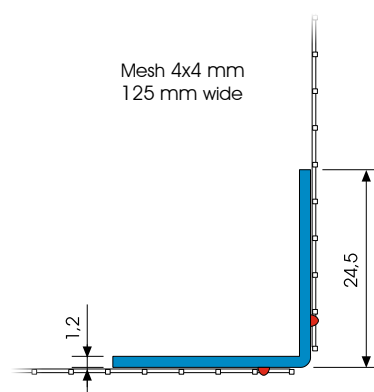
	ULTRA-TEX CORNER BEAD WITH MESH
Material	<ul style="list-style-type: none"> ■ Rigid PVC manufactured under DIN-16941
Mesh	<ul style="list-style-type: none"> ■ Min. 160 g/m² approved for compound heat insulation systems ■ 2 x 12.5 cm wide – MW 4x4 mm ■ Ultrasonic welded

Important information

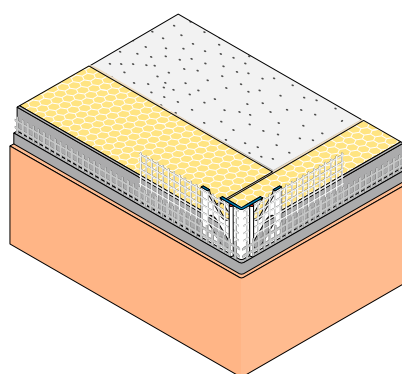
Storage	Always store profiles laid down in a dry place.
Other applications	Any applications not clearly described in the documents may be implemented only after consultation with the plaster or ETICS manufacturer.

For information on materials, areas of use, tests and correct application, please refer to our 'General Advice and Information'

Details



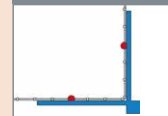
Sectional drawing in mm



Application drawing



W14



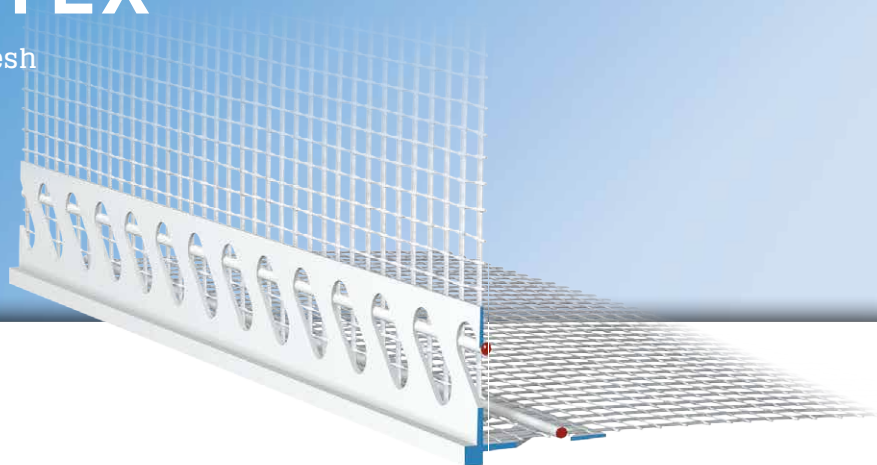
APU®

PROFILES FOR COMPOUND HEAT INSULATION SYSTEMS

Corner bead with mesh

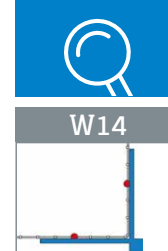
DECO-TEX

With 2 x 12.5 cm mesh



The **APU corner bead with mesh DECO-TEX** is used in compound heat insulation systems as a flush, impact-protected edge for thin top layers of plaster.

The corner bracket has 2 perforated wings to each of which a strip of mesh is internal welded. Each bar has a fabric overhang on one side of 10cm in the lengthways direction. The square skimming bar forms a clean and visible corner guard in the corner area.



Design

	ITEM NO.	LENGTH	PACKAGING UNIT	WEIGHT (per PU)
--	----------	--------	----------------	-----------------

DECO-TEX corner bead with mesh

W14 With 2 x 12.5 cm mesh	W14-2000	2.0 m	25 bars = 50 m	6.3 kg
------------------------------	----------	-------	----------------	--------

Features

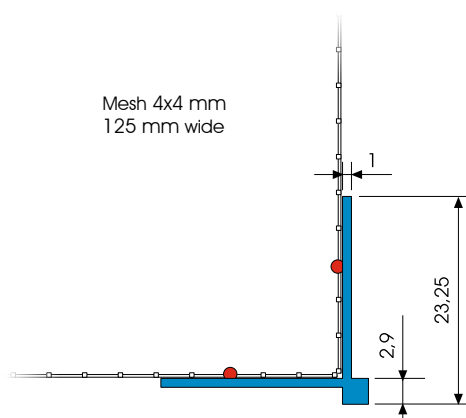
	DECO-TEX CORNER BEAD WITH MESH
Material	<ul style="list-style-type: none"> ■ Rigid PVC manufactured under DIN-16941
Mesh	<ul style="list-style-type: none"> ■ Min. 160 g/m² approved for compound heat insulation systems ■ 2 x 12.5 cm wide – MW 4x4 mm ■ Ultrasonic welded

Important information

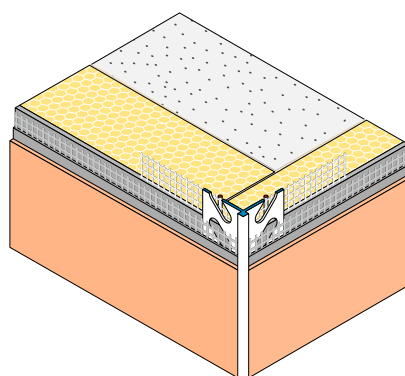
Storage	Always store profiles laid down in a dry place.
Other applications	Any applications not clearly described in the documents may be implemented only after consultation with the plaster or ETICS manufacturer.

For information on materials, areas of use, tests and correct application, please refer to our 'General Advice and Information'

Details



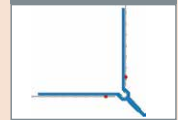
Sectional drawing in mm



Application drawing



W15



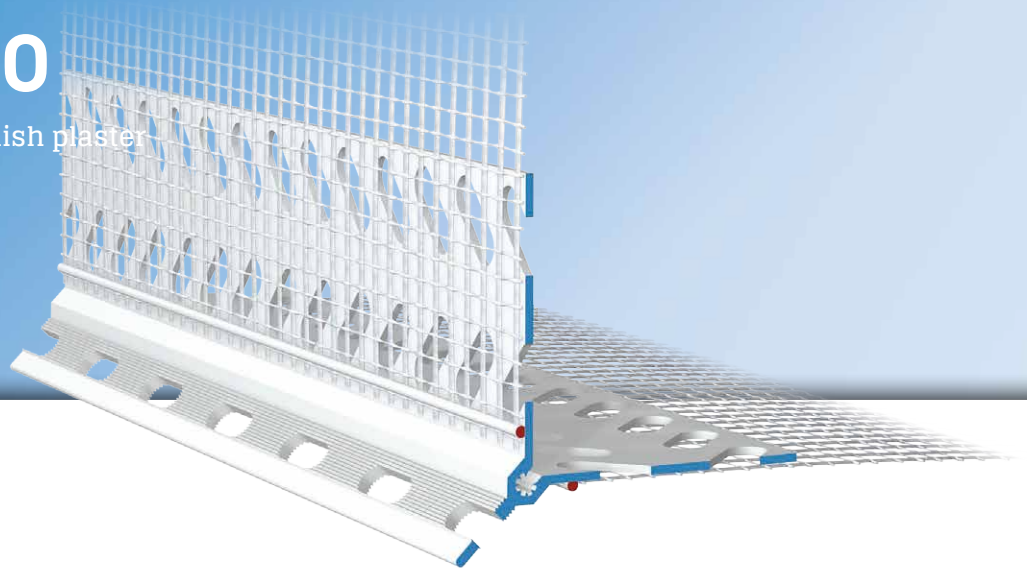
APU[®]

PROFILES FOR COMPOUND HEAT INSULATION SYSTEMS

Corner bead with mesh

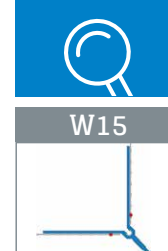
STABILO

With edge for float-finish plaster



The **APU corner bead with mesh STABILO** is used in compound heat insulation systems as a flush, impact-protected edge for float-finish plaster and thick plaster layers.

The corner bracket has 2 perforated wings to each of which a strip of mesh is welded. Each bar has a fabric overhang on one side of 10cm in the lengthways direction. The filler filaments serve as a skimming bar for the reinforcement base plaster. The skimming edge is offered in 3 different versions (8 mm, 11 mm and 17 mm plaster thickness) and ensures the correct application thickness of the entire plaster system. The plug connectors provided (Z13) enable the profiles to be connected together flush with each other. Upon completion of the plastering work what is produced is a clean plaster corner.



Design

	ITEM NO.	LENGTH	PACKAGING UNIT	WEIGHT (per PU)
--	----------	--------	----------------	-----------------

STABILO corner bead with mesh

W15

With edge for float-finish plaster

8 mm	W15-2008	2.0 m	25 bars = 50 m	11.1 kg
11 mm	W15-2011	2.0 m	25 bars = 50 m	11.6 kg
17 mm	W15-2017	2.0 m	25 bars = 50 m	12.7 kg

Features

	STABILO MESH CORNER ANGLE
Material	<ul style="list-style-type: none"> ■ Rigid PVC manufactured under DIN-16941
Mesh	<ul style="list-style-type: none"> ■ Min. 160 g/m² approved for compound heat insulation systems ■ 2 x 12.5 cm wide – MW 6 x 6 mm ■ Ultrasonic welded
Accessories	<ul style="list-style-type: none"> ■ Z13-0000 Plug connectors (1 bag)

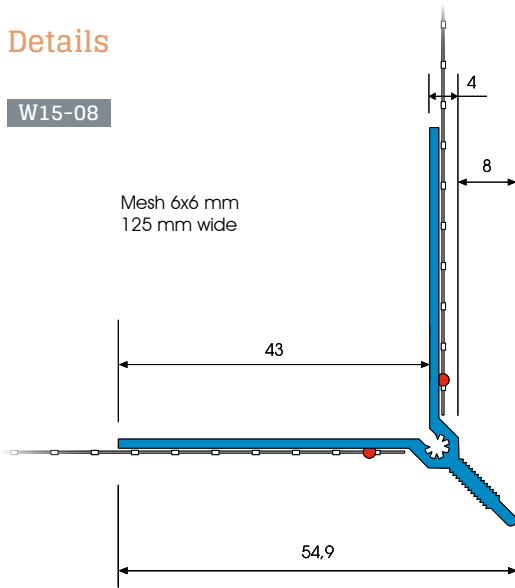
Important information

Storage	Always store profiles laid down in a dry place.
Other applications	Any applications not clearly described in the documents may be implemented only after consultation with the plaster or ETICS manufacturer.

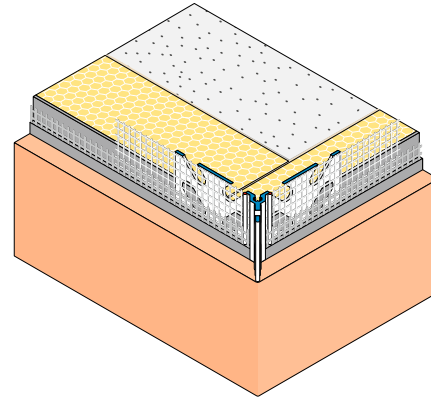
For information on materials, areas of use, tests and correct application, please refer to our 'General Advice and Information'

Details

W15-08

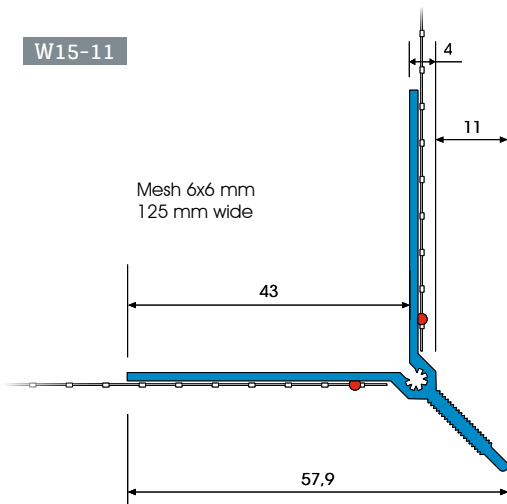


Sectional drawing in mm

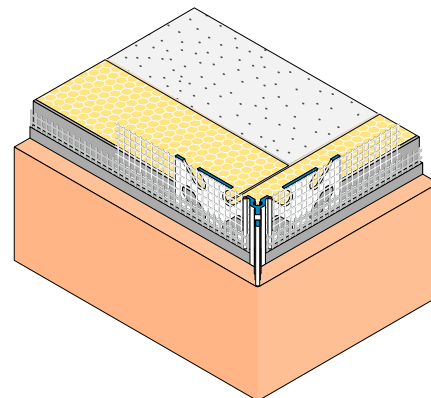


Application drawing

W15-11

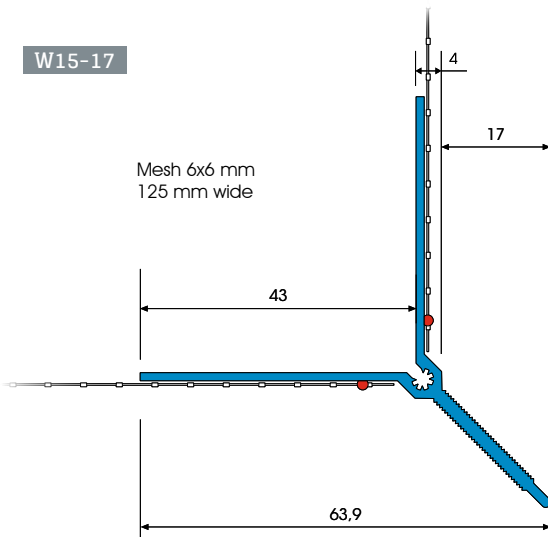


Sectional drawing in mm

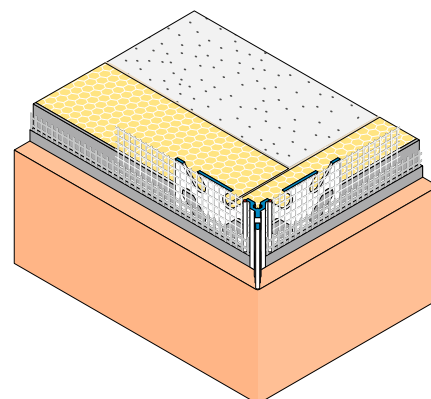


Application drawing

W15-17



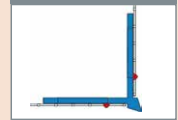
Sectional drawing in mm



Application drawing



W16



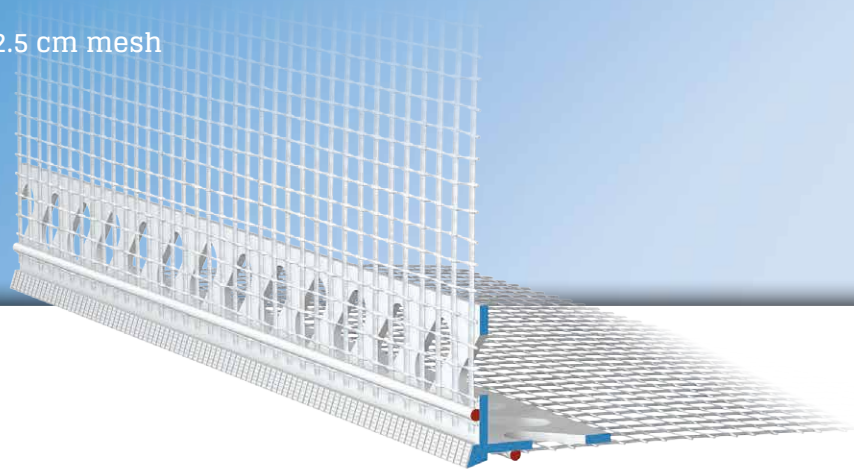
APU®

PROFILES FOR COMPOUND HEAT INSULATION SYSTEMS

Corner bead with mesh

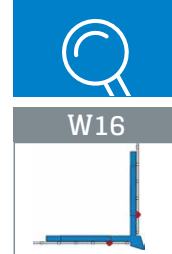
TOP-TEX

Grooved with 2 x 12.5 cm mesh



The **APU corner bead with mesh TOP-TEX** is used in compound heat insulation systems as a flush, impact-protected edge for thin top layers of plaster.

The corner bracket has 2 perforated wings to each of which a strip of mesh is welded. Each bar has a fabric overhang on one side of 10cm in the lengthways direction. The tapered and ribbed skimming bar makes applying the system of plaster easier and forms a clean corner guard in the area of the corner.



Design

	ITEM NO.	LENGTH	PACKAGING UNIT	WEIGHT (per PU)
--	----------	--------	----------------	-----------------

TOP-TEX corner bead with mesh

W16	W16-2000	2.0 m	25 bars = 50 m	6.3 kg
Grooved with 2 x 12.5 cm mesh				

Features

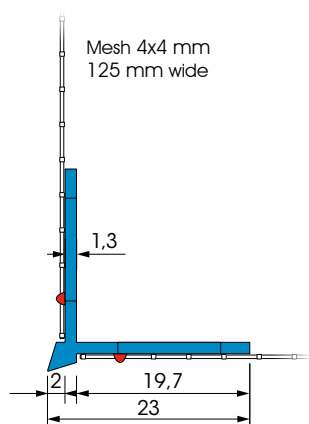
	TOP-TEX CORNER BEAD WITH MESH
Material	<ul style="list-style-type: none"> ■ Rigid PVC manufactured under DIN-16941
Mesh	<ul style="list-style-type: none"> ■ Min. 160 g/m² approved for compound heat insulation systems ■ 2 x 12.5 cm wide – MW 4 x 4 mm ■ Ultrasonic welded

Important information

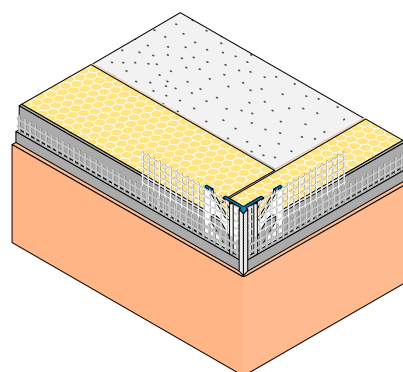
Storage	Always store profiles laid down in a dry place.
Other applications	Any applications not clearly described in the documents may be implemented only after consultation with the plaster or ETICS manufacturer.

For information on materials, areas of use, tests and correct application, please refer to our 'General Advice and Information'

Details



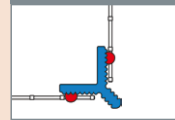
Sectional drawing in mm



Application drawing



W17



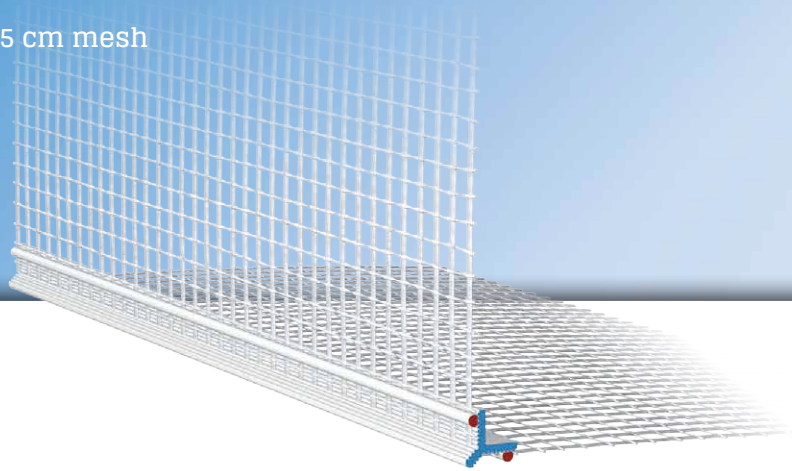
APU®

PROFILES FOR COMPOUND HEAT INSULATION SYSTEMS

Corner bead with mesh

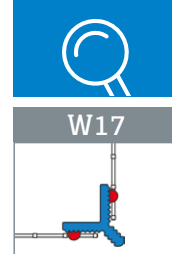
MINI

Grooved with 2 x 12.5 cm mesh



The **APU corner bead with mesh MINI** is used in compound heat insulation systems as a flush, impact-protected edge for thin top layers of plaster. If necessary, the bracket can be bent and thus made suitable for curves.

The corner bracket has 2 wings to each of which a strip of mesh is welded. Each bar has a fabric overhang on one side of 10cm in the lengthways direction. The ribbed skimming bar makes applying the system of plaster easier and forms a clean corner guard in the area of the corner.



Design

	ITEM NO.	LENGTH	PACKAGING UNIT	WEIGHT (per PU)
--	----------	--------	----------------	-----------------

MINI corner bead with mesh

W17	W17-2500	2.5 m	25 bars = 62.5 m	5.4 kg
-----	----------	-------	------------------	--------

Grooved with 2 x 12.5 cm mesh

Features

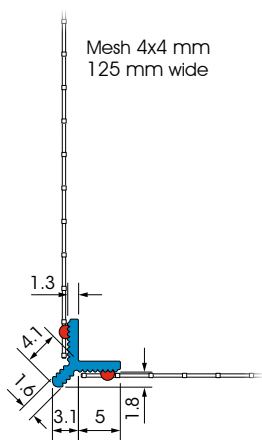
	MINI MESH CORNER ANGLE
Material	<ul style="list-style-type: none"> ■ Rigid PVC manufactured under DIN-16941
Mesh	<ul style="list-style-type: none"> ■ Min. 160 g/m² approved for compound heat insulation systems ■ 2 x 12.5 cm wide – MW 4 x 4 mm ■ Ultrasonic welded

Important information

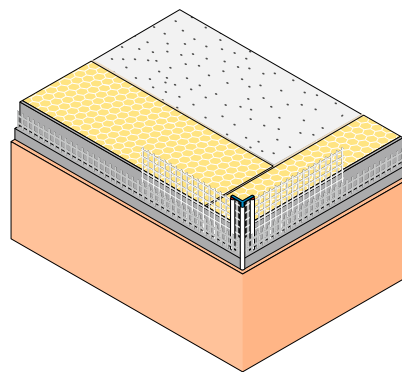
Storage	Always store profiles laid down in a dry place.
Other applications	Any applications not clearly described in the documents may be implemented only after consultation with the plaster or ETICS manufacturer.

For information on materials, areas of use, tests and correct application, please refer to our 'General Advice and Information'

Details



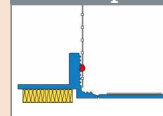
Sectional drawing in mm



Application drawing



W20 - pro



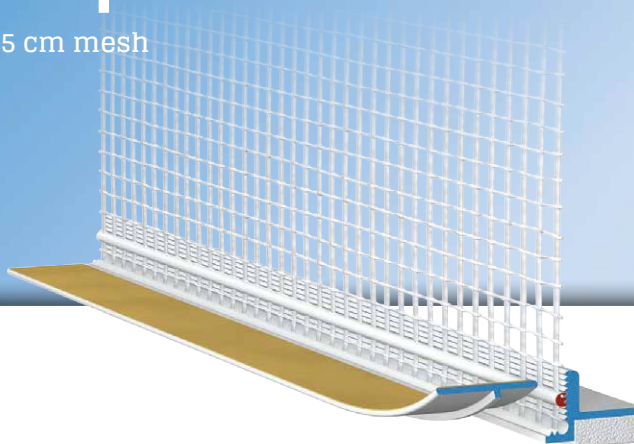
APU®

PROFILES FOR COMPOUND HEAT INSULATION SYSTEMS

Window reveal bead with mesh

COMPACT-pro

With shadow gap and 12.5 cm mesh

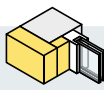
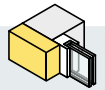



The **APU window reveal bead with mesh COMPACT-plus** is used in compound heat insulation systems in accordance with the APU area of application. Within the reveal the profile is stuck flush to the structural element there and thus forms a clean and reliable termination of the plaster with shadow gap.

The profile comes with a self-adhesive PE foam tape, which ensures a watertight, lasting seal. The PE foam tape is covered and protected by the profile contour. There is a fabric window reveal bead welded onto the profile. Each bar has a fabric overhang on one side of 10cm in the lengthways direction. There is a piece of self-adhesive tape on protective flap in order to secure the third-party protective film. This protects the window during the plastering work. After completion of these tasks, the protective flap is pulled off and what is created is a clean edge to the plaster.



Area of application

WINDOW POSITION	 WITHIN MASONRY	 FLUSH WITH MASONRY	 IN FRONT OF MASONRY
Sub-surface	With adhesive connection – only for surfaces suitable for being stuck to ! Test of adhesion required		
Insulating material thickness	up to 160 mm		
Window size	up to 2.6 m ²		
W20 COMPACT	●	-	-

Design

	ITEM NO.	LENGTH	PACKAGING UNIT	WEIGHT (per PU)
--	----------	--------	----------------	-----------------

COMPACT-pro window reveal bead with mesh

W20 - pro With shadow gap and 12.5 cm mesh	W20-24PRO	2.4 m	25 bars = 60 m	7.7 kg
--	------------------	-------	----------------	--------

Features

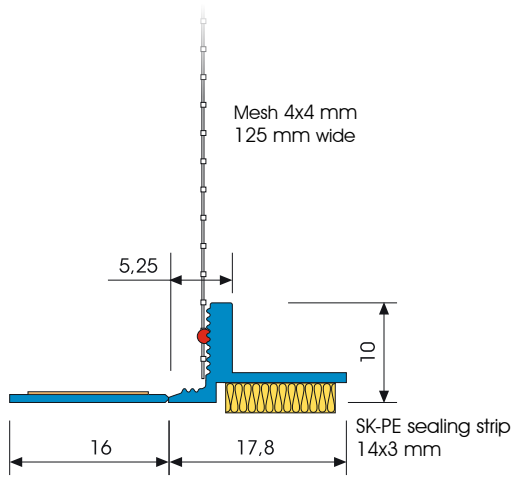
	COMPACT-PRO WINDOW REVEAL BEAD WITH MESH
Material	<ul style="list-style-type: none"> ■ Rigid PVC manufactured under DIN-16941
Protective flap	<ul style="list-style-type: none"> ■ Detachable with soft TPE connection and double-sided adhesive tape
Seal	<ul style="list-style-type: none"> ■ PE foam tape 11 x 3 mm
Mesh	<ul style="list-style-type: none"> ■ Min. 160 g/m² approved for compound heat insulation systems ■ 12.5 cm wide – MW 4 x 4 mm ■ Ultrasonic welded

Important information

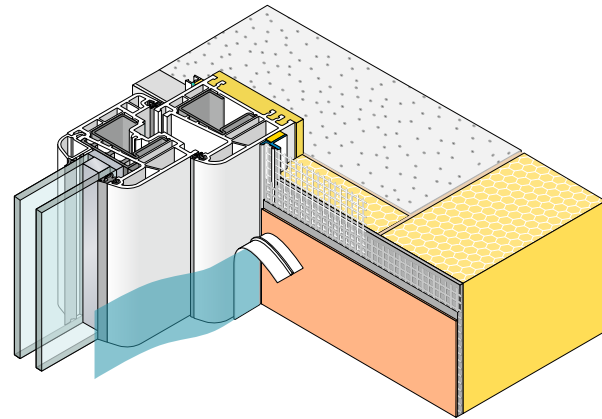
Storage	Always store profiles laid down in a dry place.
Use	Can be used only on white plastic windows.
Test of adhesion	Perform adhesion test. ▶ See general tips – APU test of adhesion
Other applications	Any applications not clearly described in the documents may be implemented only after consultation with the plaster or ETICS manufacturer.
Selection criteria	Adhere to the latest APU selection criteria. ▶ see APU selection criteria

For information on materials, areas of use, tests and correct application, please refer to our 'General Advice and Information'

Details



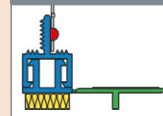
Sectional drawing in mm



Application drawing



W28



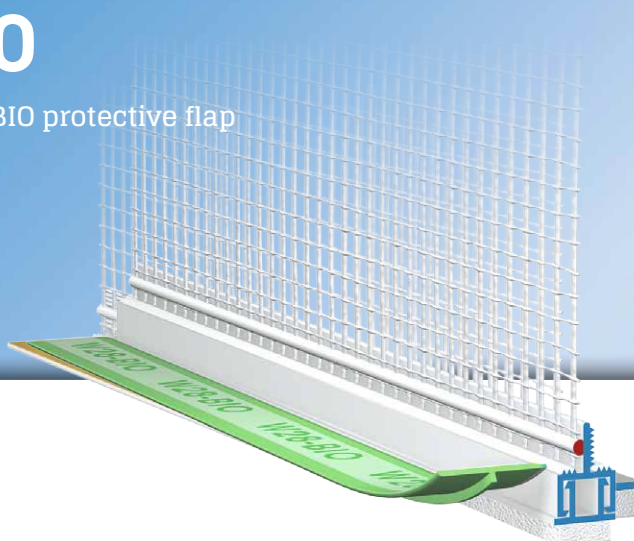
APU®

PROFILES FOR COMPOUND HEAT INSULATION SYSTEMS

Telescopic window reveal bead with mesh

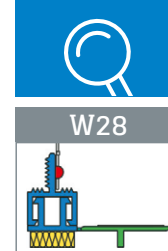
MINI-BIO

With 12.5 cm mesh and BIO protective flap

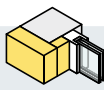
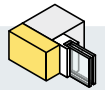



The **APU telescopic window reveal bead with mesh MINI-BIO** is used in compound heat insulation systems in accordance with the APU area of application. In front of the reveal insulation the profile is stuck flush to the structural element there and thus forms a clean and reliable termination of the plaster.

The profile comes with a self-adhesive PE foam tape, which ensures a watertight, lasting seal. The nested telescopic mechanism can absorb movements in the area around the joint. The profiles can be joined overlapping where the elements abut. There is a fabric window reveal bead welded onto the profile. Each bar has a fabric overhang on one side of 10cm in the lengthways direction. On the largely biodegradable protective flap made in the main of renewable raw materials there is a piece of self-adhesive tape in order to secure the protective film to be attached by others on site. This protects the window during the plastering work. After completion of these tasks, the protective flap is pulled off and what is created is a clean edge to the plaster.



Area of application

WINDOW POSITION	 WITHIN MASONRY	 FLUSH WITH MASONRY	 IN FRONT OF MASONRY
Sub-surface	With adhesive connection – only for surfaces suitable for being stuck to ! Test of adhesion required		
Insulating material thickness	up to 300 mm	up to 300 mm	up to 160 mm
Window size	up to 10 m ²	up to 2.6 m ²	up to 10 m ²
W28 MINI B10	■	■	■

Tested according to: ■ VDPM leaflet: Class B with adhesive connection ■ Ö-Norm B 6400-2: Class II

Design

	ITEM NO.	LENGTH	PACKAGING UNIT	WEIGHT (per PU)
--	----------	--------	----------------	-----------------

MINI-B10 telescopic window reveal bead with mesh

W28 With 12.5 cm mesh	W28-2400	2.4 m	25 bars = 60 m	9.2 kg
---------------------------------	-----------------	-------	----------------	--------

Features

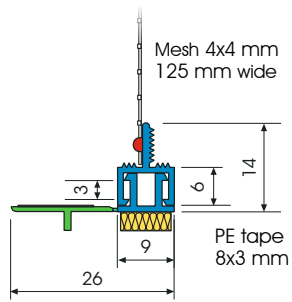
	MINI-B10 TELESCOPIC WINDOW REVEAL BEAD WITH MESH
Material	■ Rigid PVC manufactured under DIN-16941
Protective flap	■ Detachable with soft TPE connection and double-sided adhesive tape
Features	■ Telescopic mechanism
Seal	■ PE foam tape 8x3 mm
Mesh	■ Min. 160 g/m ² approved for compound heat insulation systems ■ 12.5 cm wide – MW 4x4 mm ■ Ultrasonic welded
Inspections	■ VDPM leaflet: Class B with adhesive connection ■ Ö-Norm 6400-2: Class II

Important information

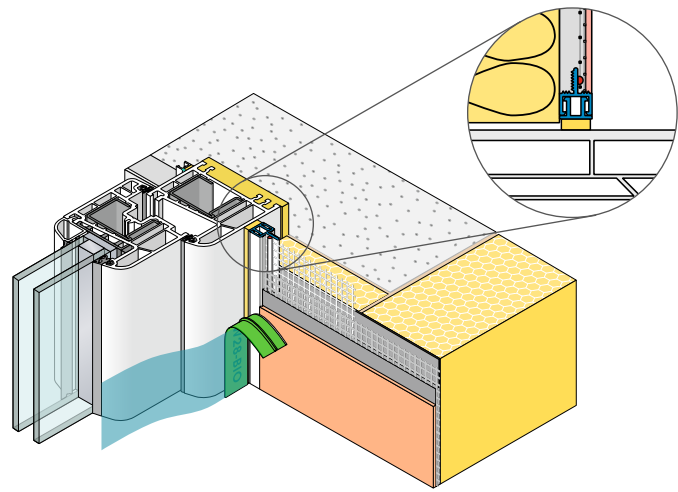
Storage	Always store profiles laid down in a dry place.
Use	Can be used only on white plastic windows.
Test of adhesion	Perform adhesion test. ▶ See general tips – APU test of adhesion
Other applications	Any applications not clearly described in the documents may be implemented only after consultation with the plaster or ETICS manufacturer.
Selection criteria	Adhere to the latest APU selection criteria. ▶ see APU selection criteria

For information on materials, areas of use, tests and correct application, please refer to our 'General Advice and Information'

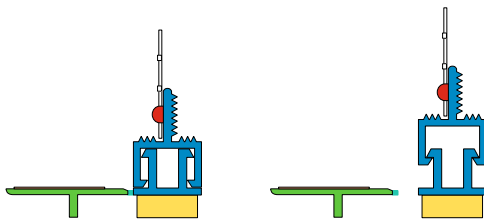
Details



Sectional drawing in mm



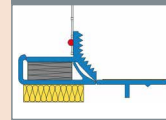
Application drawing



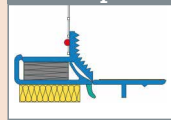
Function



W29



W29 - plus



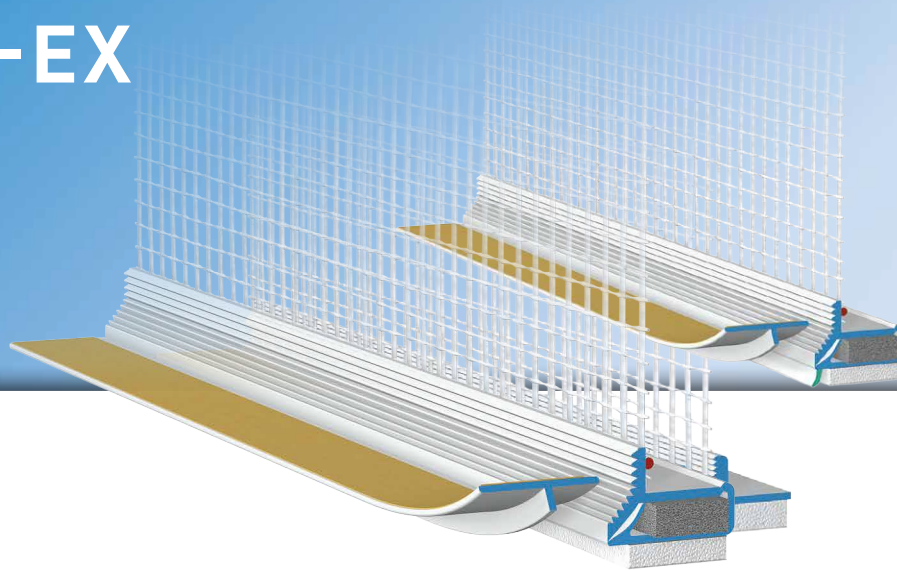
APU®

PROFILES FOR COMPOUND HEAT INSULATION SYSTEMS

Window reveal bead with mesh

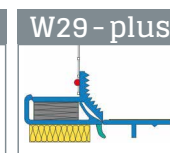
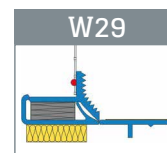
PUR-EX

With mesh



The **APU window reveal bead with mesh PUR-EX** is used in compound heat insulation systems as specified in the latest APU selection criteria. Within the reveal the profile is stuck flush to the structural element there and thus forms a clean and reliable termination of the plaster.

The profile comes with a self-adhesive PE foam tape, which ensures a watertight, lasting seal. The integrated expanding PUR sealing strip is able to absorb relatively large movements in the area around the joint. This is activated by removing the protective flap. There is a fabric window reveal bead welded onto the profile. Each bar has a fabric overhang on one side of 10cm in the lengthways direction. The profile is available in two versions: without protective lip (W29) and with protective lip (W29-plus). There is a piece of self-adhesive tape on protective flap in order to secure the third-party protective film. This protects the window during the plastering work. After completion of these tasks, the protective flap is pulled off and what is created is a clean edge to the plaster.



Design

	ITEM NO.	LENGTH	PACKAGING UNIT	WEIGHT (per PU)
--	----------	--------	----------------	-----------------

PUR-EX window reveal bead with mesh

W29

■ PUR-EX WINDOW REVEAL BEAD WITH MESH with 25 cm mesh	W29-2400	2.4 m	25 bars = 60 m	13.2 kg
---	-----------------	-------	----------------	---------

W29-plus

■ PUR-EX-plus WINDOW REVEAL BEAD WITH MESH with 12.5 cm mesh and protective lip	W29-14PLUS	1.4 m	25 bars = 35 m	7.6 kg
	W29-24PLUS	2.4 m	25 bars = 60 m	12.7 kg

Features

	PUR-EX WINDOW REVEAL BEAD WITH MESH	PUR-EX-PLUS
Material	<ul style="list-style-type: none"> ■ Rigid PVC manufactured under DIN-16941 	<ul style="list-style-type: none"> ■ Rigid PVC manufactured under DIN-16941 ■ TPE manufactured under DIN-16941
Protective flap	<ul style="list-style-type: none"> ■ Detachable with soft TPE connection and double-sided adhesive tape 	
Features	<ul style="list-style-type: none"> ■ PUR sealing strip, 10 mm, type BG1 ■ Watertight for joints of 3-9mm 	
Seal	<ul style="list-style-type: none"> ■ PE foam tape 14x3 mm 	
Mesh	<ul style="list-style-type: none"> ■ Min. 160 g/m² approved for compound heat insulation systems ■ 25.0 cm wide (W29) – MW 4 x 4 mm ■ 12.5 cm wide (W29 plus) – MW 4 x 4 mm ■ Ultrasonic welded 	

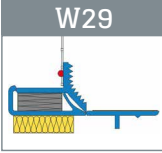
Important information

Storage	Always store profiles laid down in a dry place.
Test of adhesion	Perform adhesion test. ▶ See general tips – APU test of adhesion
Other applications	Any applications not clearly described in the documents may be implemented only after consultation with the plaster or ETICS manufacturer.
Selection criteria	Adhere to the latest APU selection criteria. ▶ see APU selection criteria

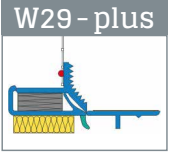
For information on materials, areas of use, tests and correct application, please refer to our 'General Advice and Information'



W29

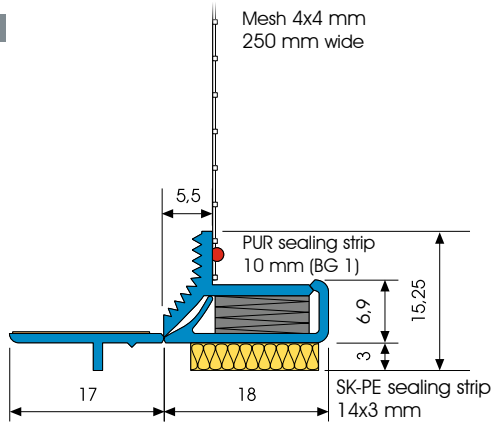


W29 - plus

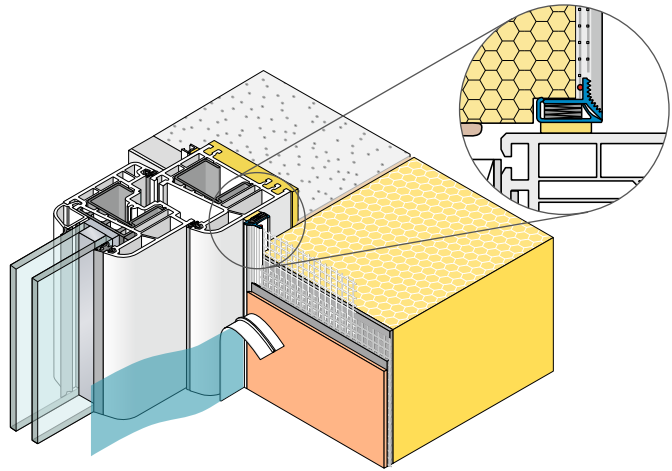


Details

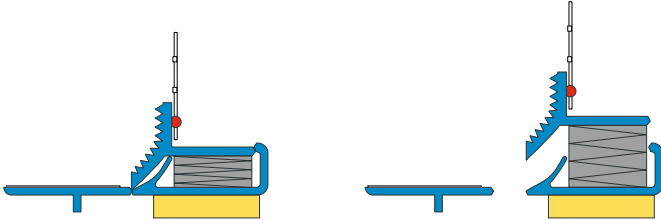
W29



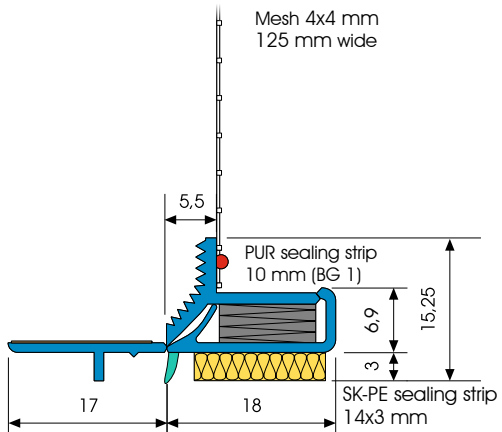
Sectional drawing in mm



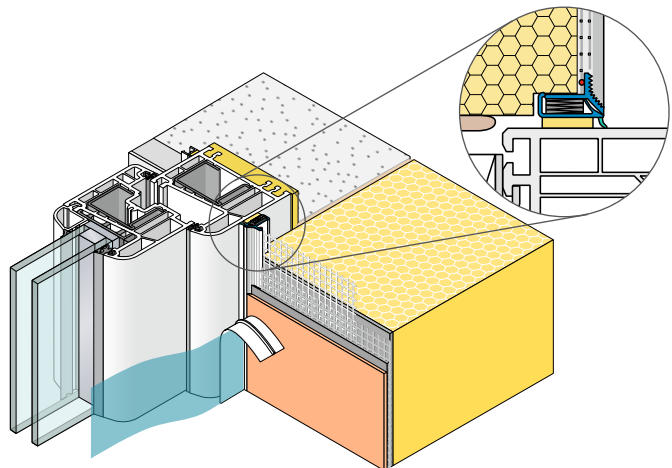
Application drawing



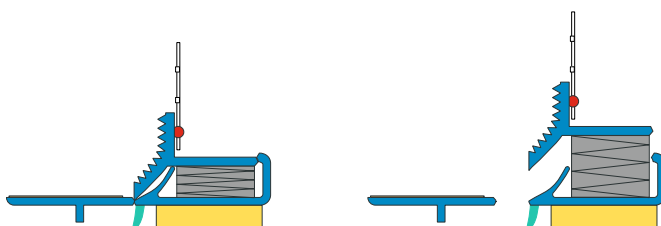
W29 - plus



Sectional drawing in mm



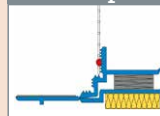
Application drawing



Function



W29 - pro

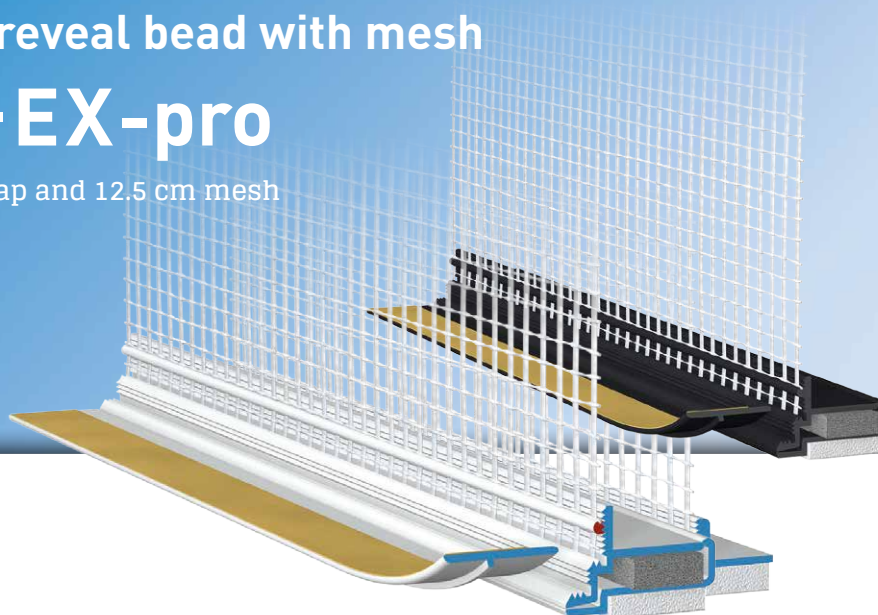
**APU**[®]

PROFILES FOR COMPOUND HEAT INSULATION SYSTEMS

Window reveal bead with mesh

PUR-EX-pro

With shadow gap and 12.5 cm mesh



The **APU window reveal bead with mesh PUR-EX-pro** is used in compound heat insulation systems as specified in the latest APU selection criteria. Within the reveal the profile is stuck flush to the structural element there and thus forms a clean and reliable termination of the plaster with shadow gap.

The profile comes with a self-adhesive PE foam tape, which ensures a watertight, lasting seal. The PE foam tape is covered and protected by the profile contour. The integrated expanding PUR sealing strip is able to absorb relatively large movements in the area around the joint. This is activated by removing the protective flap. There is a fabric window reveal bead welded onto the profile. Each bar has a fabric overhang on one side of 10cm in the lengthways direction. There is a piece of self-adhesive tape on protective flap in order to secure the third-party protective film. This protects the window during the plastering work. After completion of these tasks, the protective flap is pulled off and what is created is a clean edge to the plaster.



Design

	ITEM NO.	LENGTH	PACKAGING UNIT	WEIGHT (per PU)
--	----------	--------	----------------	-----------------

PUR-EX-pro window reveal bead with mesh

W29 - pro				
With shadow gap and 12.5 cm mesh	W29-24PRO	2.4 m	25 bars = 60 m	11.5 kg
Grey, similar to RAL 7016	W29-24PRO-7016	2.4 m	25 bars = 60 m	11.5 kg

Features

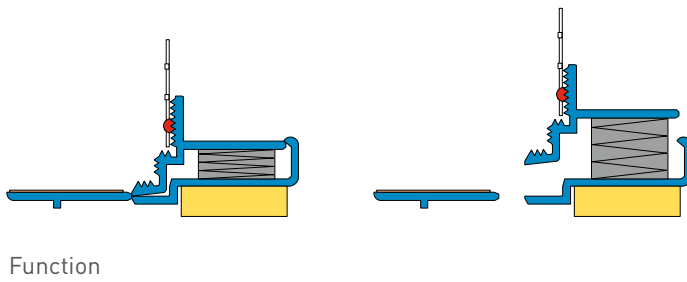
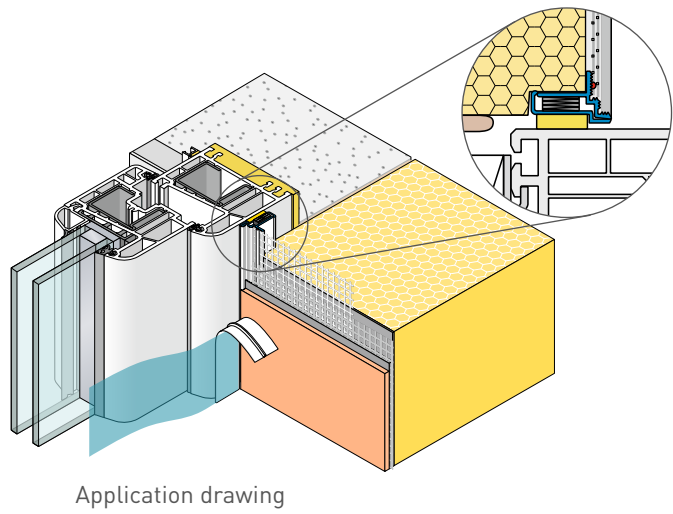
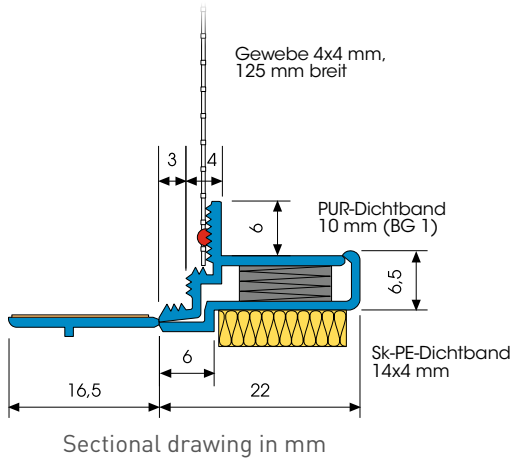
	PUR-EX-PRO WINDOW REVEAL BEAD WITH MESH
Material	<ul style="list-style-type: none"> ■ Rigid PVC manufactured under DIN-16941
Protective flap	<ul style="list-style-type: none"> ■ Detachable with soft TPE connection and double-sided adhesive tape
Features	<ul style="list-style-type: none"> ■ PUR sealing strip, 10 mm, type BG1 ■ Watertight for joints of 3-9mm
Seal	<ul style="list-style-type: none"> ■ PE foam tape 14 x 4 mm
Mesh	<ul style="list-style-type: none"> ■ Min. 160 g/m² approved for compound heat insulation systems ■ 12.5 cm wide – MW 4 x 4 mm ■ Ultrasonic welded
Inspections	<ul style="list-style-type: none"> ■ VDPM leaflet: Class A with adhesive connection ■ Ö-Norm 6400-2: Class III

Important information

Storage	Always store profiles laid down in a dry place.
Test of adhesion	Perform adhesion test. ▶ See general tips – APU test of adhesion
Other applications	Any applications not clearly described in the documents may be implemented only after consultation with the plaster or ETICS manufacturer.
Selection criteria	Adhere to the latest APU selection criteria. ▶ see APU selection criteria

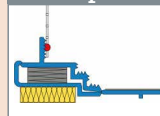
For information on materials, areas of use, tests and correct application, please refer to our 'General Advice and Information'

Details





W29-pro-K



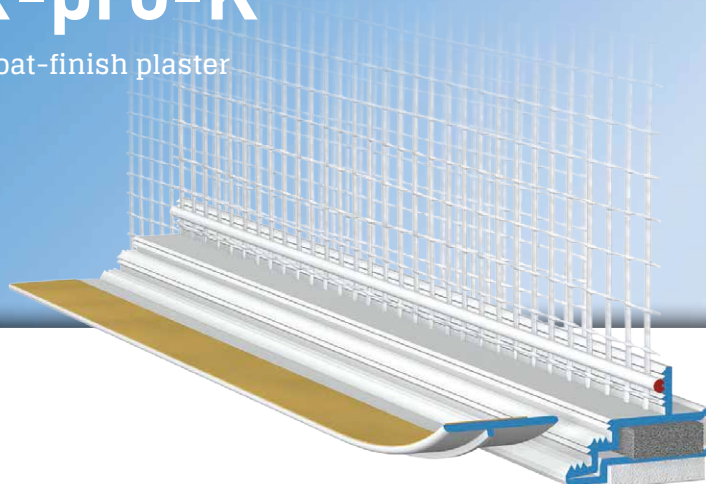
APU®

PROFILES FOR COMPOUND HEAT INSULATION SYSTEMS

Window reveal bead with mesh

PUR-EX-pro-K

With shadow gap for float-finish plaster



The **APU window reveal bead with mesh PUR-EX-pro-K** is used in compound heat insulation systems as specified in the latest APU selection criteria. Within the reveal the profile is stuck to the structural element there and thus forms a clean and reliable termination of the plaster with shadow gap. The profile contour enables the application of a thick layer of plaster / float-finish plaster.

The profile comes with a self-adhesive PE foam tape, which ensures a watertight, lasting seal. The PE foam tape is covered and protected by the profile contour. The integrated expanding PUR sealing strip is able to absorb relatively large movements. This is activated by removing the protective flap. There is a fabric window reveal bead welded onto the profile. Each bar has a fabric overhang on one side of 10cm in the lengthways direction. There is a piece of self-adhesive tape on protective flap in order to secure the third-party protective film. This protects the window during the plastering work. After completion of these tasks, the protective flap is pulled off and what is created is a clean edge to the plaster.



Design

	ITEM NO.	LENGTH	PACKAGING UNIT	WEIGHT (per PU)
--	----------	--------	----------------	-----------------

PUR-EX-pro-K window reveal bead with mesh

W29 - pro - K	W29-24PRO-K	2.4 m	25 bars = 60 m	12.4 kg
---------------	-------------	-------	----------------	---------

With shadow gap for float-finish plaster

Features

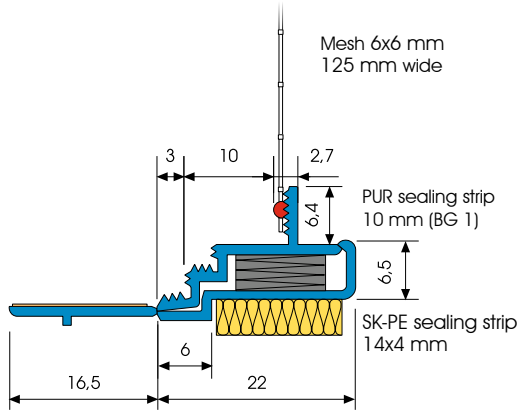
	PUR-EX-PRO-K WINDOW REVEAL BEAD WITH MESH
Material	<ul style="list-style-type: none"> ■ Rigid PVC manufactured under DIN-16941
Protective flap	<ul style="list-style-type: none"> ■ Detachable with double-sided adhesive tape
Features	<ul style="list-style-type: none"> ■ PUR sealing strip, 10 mm, type BG1 ■ Watertight for joints of 3-9mm
Seal	<ul style="list-style-type: none"> ■ PE foam tape 14 x 4 mm
Mesh	<ul style="list-style-type: none"> ■ Min. 160 g/m² approved for compound heat insulation systems ■ 12.5 cm wide – MW 6 x 6 mm ■ Ultrasonic welded

Important information

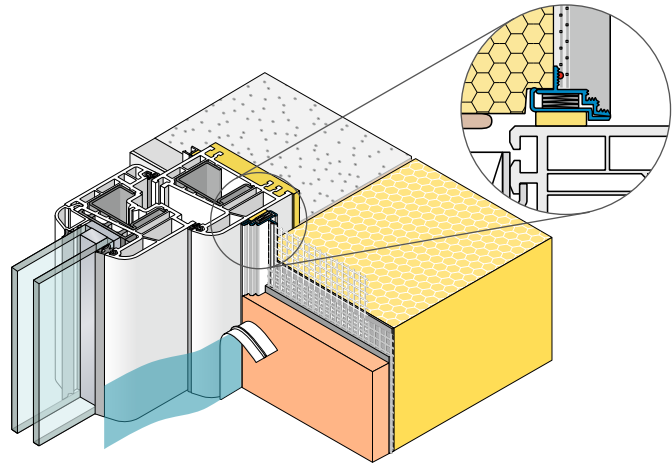
Storage	Always store profiles laid down in a dry place.
Test of adhesion	Perform adhesion test. ▶ See general tips – APU test of adhesion
Other applications	Any applications not clearly described in the documents may be implemented only after consultation with the plaster or ETICS manufacturer.
Selection criteria	Adhere to the latest APU selection criteria. ▶ see APU selection criteria

For information on materials, areas of use, tests and correct application, please refer to our 'General Advice and Information'

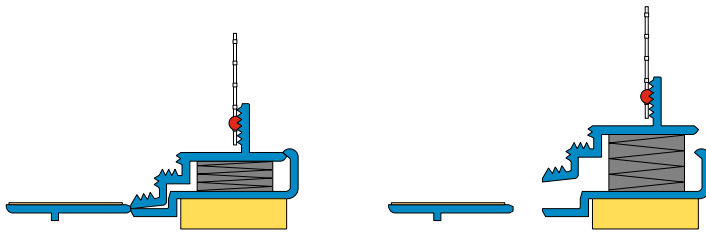
Details



Sectional drawing in mm



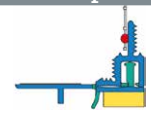
Application drawing



Function



W30 - plus



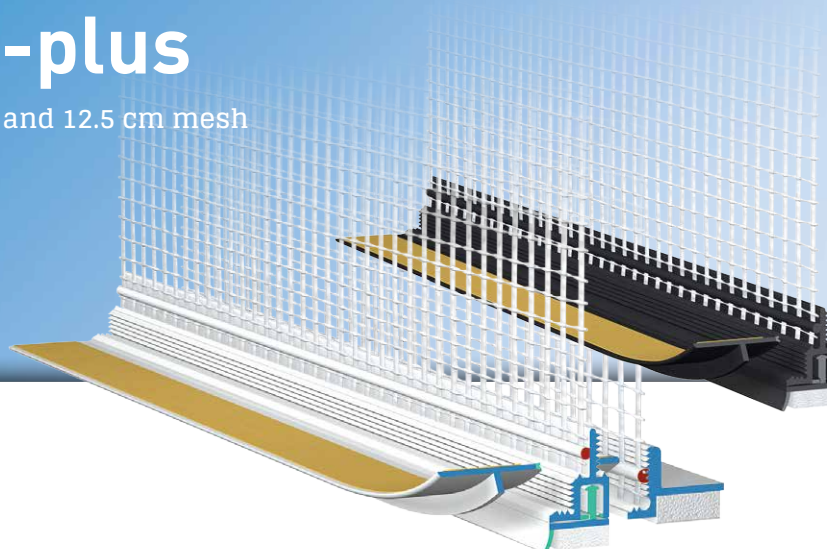
APU®

PROFILES FOR COMPOUND HEAT INSULATION SYSTEMS

Telescopic window reveal bead with mesh

IDEAL-plus

With protective lip and 12.5 cm mesh



The **APU telescopic window reveal bead with mesh IDEAL-plus** is used in compound heat insulation systems as specified in the latest APU selection criteria. In front of the reveal insulation the profile is stuck flush to the structural element there and after completion of the plastering work forms a clean and reliable termination of the plaster.

The profile comes with a self-adhesive PE foam tape, which ensures a watertight, lasting seal. A TPE protective lip protects the PE foam tape and forms a visually clean termination with the structural element. After the protective flap is pulled off, the integrated, flexible telescopic mechanism can absorb movements in any direction in the area around the joint. There is a fabric window reveal bead welded onto the profile. Each bar has a fabric overhang on one side of 10cm in the lengthways direction. There is a piece of self-adhesive tape on protective flap in order to secure the third-party protective film. This protects the window during the plastering work. After completion of these tasks, the protective flap is pulled off and what is created is a clean edge to the plaster.



Design

	ITEM NO.	LENGTH	PACKAGING UNIT	WEIGHT (per PU)
--	----------	--------	----------------	-----------------

IDEAL-plus telescopic window reveal bead with mesh

W30 - plus				
With protective lip and 12.5 cm mesh	W30-14PLUS	1.4 m	25 bars = 35 m	5.3 kg
	W30-24PLUS	2.4 m	25 bars = 60 m	8.4 kg
Grey, similar to RAL 7016	W30-24PLUS-7016	2.4 m	25 bars = 60 m	8.4 kg

Features

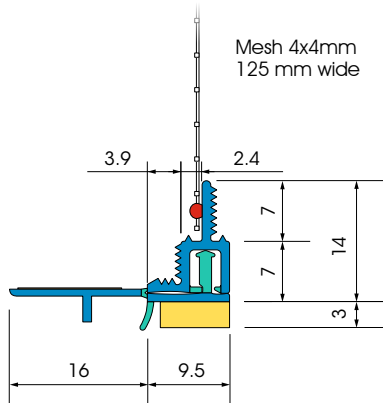
	IDEAL-PLUS TELESCOPIC WINDOW REVEAL BEAD WITH MESH
Material	<ul style="list-style-type: none"> ■ Rigid PVC manufactured under DIN-16941 ■ TPE manufactured under DIN-16941
Protective flap	<ul style="list-style-type: none"> ■ Detachable with soft TPE connection and double-sided adhesive tape
Features	<ul style="list-style-type: none"> ■ Telescopic bar with flexible TPE connection
Seal	<ul style="list-style-type: none"> ■ PE foam tape 8x3 mm
Mesh	<ul style="list-style-type: none"> ■ Min. 160 g/m² approved for compound heat insulation systems ■ 12.5 cm wide – MW 4x4 mm ■ Ultrasonic welded
Inspections	<ul style="list-style-type: none"> ■ VDPM leaflet: Class A with adhesive connection ■ Ö-Norm 6400-2: Class III

Important information

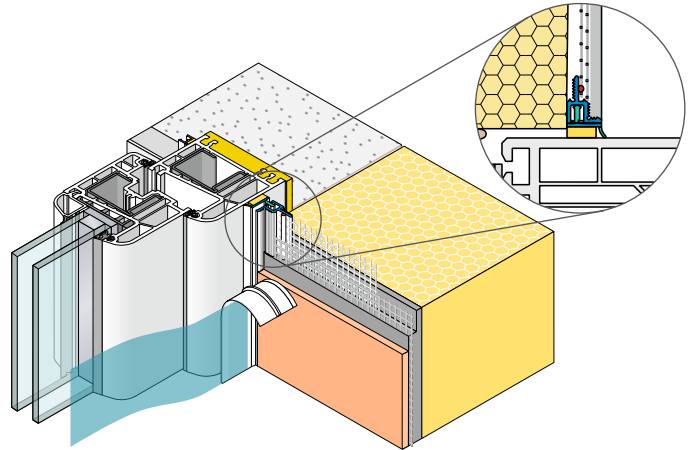
Storage	Always store profiles laid down in a dry place.
Test of adhesion	Perform adhesion test. ▶ See general tips – APU test of adhesion
Other applications	Any applications not clearly described in the documents may be implemented only after consultation with the plaster or ETICS manufacturer.
Selection criteria	Adhere to the latest APU selection criteria. ▶ see APU selection criteria

For information on materials, areas of use, tests and correct application, please refer to our 'General Advice and Information'

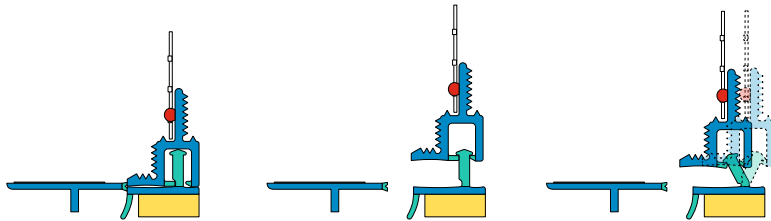
Design



Sectional drawing in mm



Application drawing



Function



W31



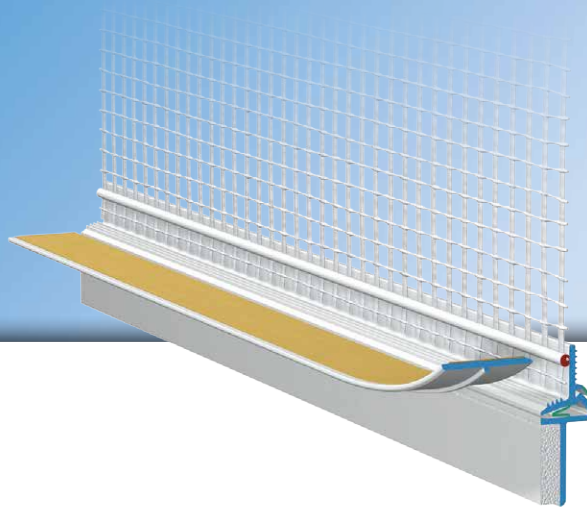
APU®

PROFILES FOR COMPOUND HEAT INSULATION SYSTEMS

Window reveal bead with mesh

ROMA

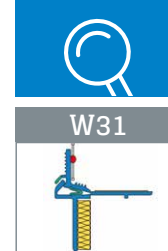
With 12.5 cm mesh



The **APU window reveal bead with mesh ROMA** is used in compound heat insulation systems as specified in the latest APU selection criteria.

Within the reveal the profile is stuck at the side onto the existing roller shutter guide rail and after completion of the plastering work forms a clean and reliable termination of the plaster.

The profile comes with a self-adhesive PE foam tape, which ensures a watertight, lasting seal. After the protective flap is pulled off, the integrated TPE loop can absorb movements in the area around the joint. There is a fabric window reveal bead welded onto the profile. Each bar has a fabric overhang on one side of 10cm in the lengthways direction. There is a piece of self-adhesive tape on protective flap in order to secure the third-party protective film. This protects the window during the plastering work. After completion of these tasks, the protective flap is pulled off and what is created is a clean edge to the plaster.



Design

	ITEM NO.	LENGTH	PACKAGING UNIT	WEIGHT (per PU)
--	----------	--------	----------------	-----------------

ROMA window reveal bead with mesh

W31				
With 12.5 cm mesh	W31-1400	1.4 m	25 bars = 35 m	4.5 kg
	W31-2400	2.4 m	25 bars = 60 m	7.1 kg

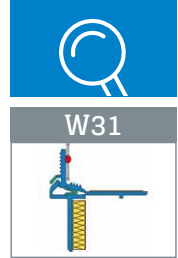
Features

	ROMA WINDOW REVEAL BEAD WITH MESH
Material	<ul style="list-style-type: none"> ■ Rigid PVC manufactured under DIN-16941
Protective flap	<ul style="list-style-type: none"> ■ Detachable with double-sided adhesive tape
Features	<ul style="list-style-type: none"> ■ Flexible TPE loop
Seal	<ul style="list-style-type: none"> ■ PE foam tape 11 x 3 mm
Mesh	<ul style="list-style-type: none"> ■ Min. 160 g/m² approved for compound heat insulation systems ■ 12.5 cm wide – MW 4 x 4 mm ■ Ultrasonic welded
Inspections	<ul style="list-style-type: none"> ■ VDPM leaflet: Class A with adhesive connection ■ Ö-Norm 6400-2: Class III

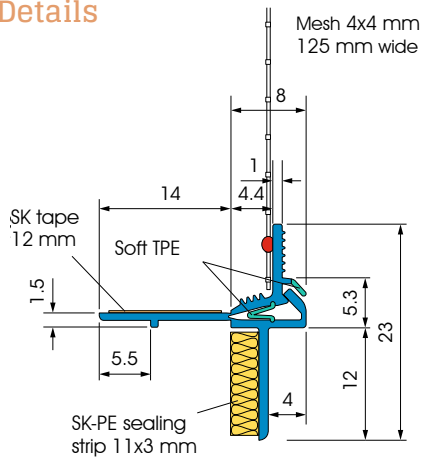
Important information

Storage	Always store profiles laid down in a dry place.
Sub-surface	The sub-surface must be even, dry, free of dust and suitable for the profile to be stuck on permanently. Any residues that would impair adhesion must be removed.
Test of adhesion	Perform adhesion test. ▶ See general tips – APU test of adhesion

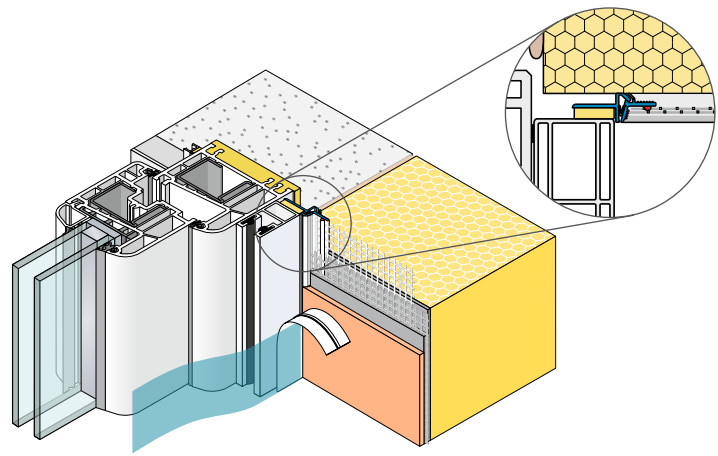
For information on materials, areas of use, tests and correct application, please refer to our 'General Advice and Information'



Details



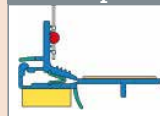
Sectional drawing in mm



Application drawing



W32 - plus



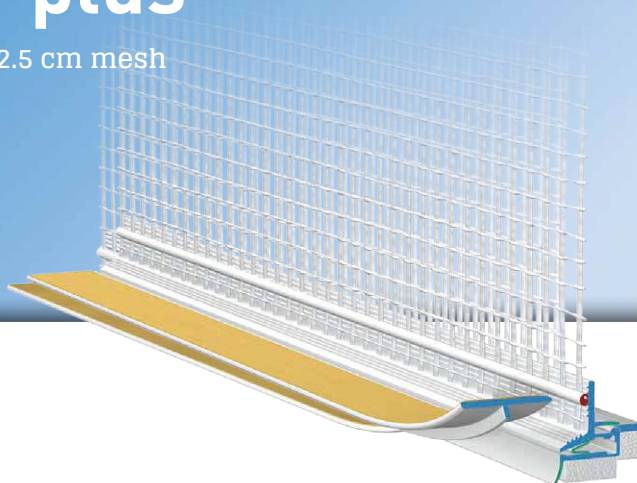
APU[®]

PROFILES FOR COMPOUND HEAT INSULATION SYSTEMS

Window reveal bead with mesh

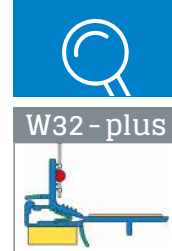
MILANO-plus

With protective lip and 12.5 cm mesh



The **APU window reveal bead with mesh MILANO-plus** is used in compound heat insulation systems as specified in the latest APU selection criteria. Within the reveal the profile is stuck flush to the structural element there and after completion of the plastering work forms a clean and reliable termination of the plaster.

The profile comes with a self-adhesive PE foam tape, which ensures a watertight, lasting seal. After the protective flap is pulled off, the integrated TPE loop can absorb movements in the area around the joint. There is a fabric window reveal bead welded onto the profile. Each bar has a fabric overhang on one side of 10cm in the lengthways direction. There is a piece of self-adhesive tape on protective flap in order to secure the third-party protective film. This protects the window during the plastering work. After completion of these tasks, the protective flap is pulled off and what is created is a clean edge to the plaster.



Design

	ITEM NO.	LENGTH	PACKAGING UNIT	WEIGHT (per PU)
--	----------	--------	----------------	-----------------

MILANO-plus window reveal bead with mesh

W32 - plus

With protective lip and 12.5 cm mesh

W32-14PLUS	1.4 m	25 bars = 35 m	4.1 kg
W32-24PLUS	2.4 m	25 bars = 60 m	7.9 kg

Features

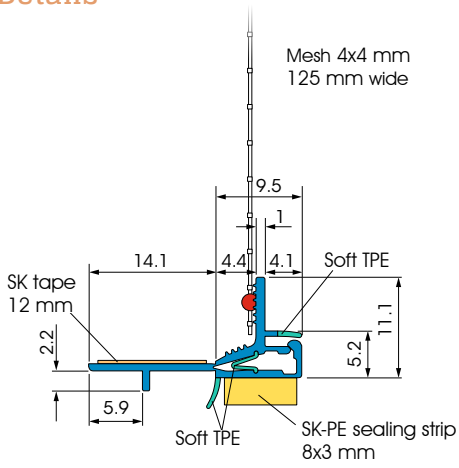
	MILANO-PLUS WINDOW REVEAL BEAD WITH MESH
Material	<ul style="list-style-type: none"> ■ Rigid PVC manufactured under DIN-16941 ■ TPE manufactured under DIN-16941
Protective flap	<ul style="list-style-type: none"> ■ Detachable with soft TPE connection and double-sided adhesive tape
Features	<ul style="list-style-type: none"> ■ Flexible TPE loop
Seal	<ul style="list-style-type: none"> ■ PE foam tape 8x3 mm
Mesh	<ul style="list-style-type: none"> ■ Min. 160 g/m² approved for compound heat insulation systems ■ 12.5 cm wide – MW 4x4 mm ■ Ultrasonic welded
Inspections	<ul style="list-style-type: none"> ■ VDPM leaflet: Class A with adhesive connection ■ Ö-Norm 6400-2: Class III

Important information

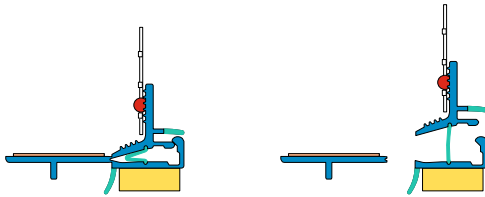
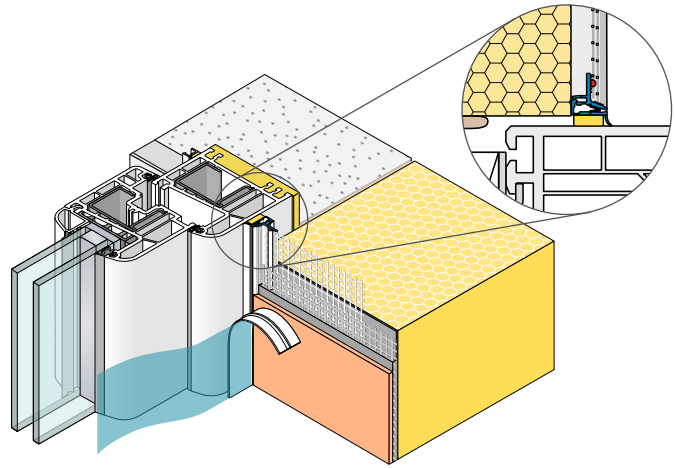
Storage	Always store profiles laid down in a dry place.
Test of adhesion	Perform adhesion test. ▶ See general tips – APU test of adhesion
Other applications	Any applications not clearly described in the documents may be implemented only after consultation with the plaster or ETICS manufacturer.
Selection criteria	Adhere to the latest APU selection criteria. ▶ see APU selection criteria

For information on materials, areas of use, tests and correct application, please refer to our 'General Advice and Information'

Details



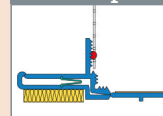
Sectional drawing in mm



Function



W34 - pro



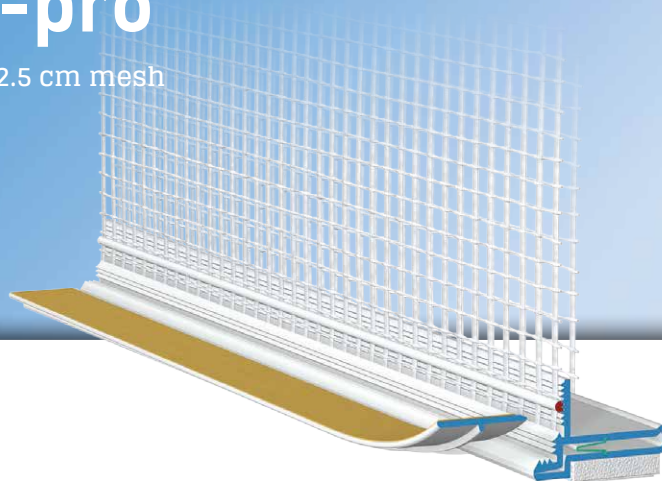
APU®

PROFILES FOR COMPOUND HEAT INSULATION SYSTEMS

Window reveal bead with mesh

TORINO-pro

With shadow gap and 12.5 cm mesh



The **APU window reveal bead with mesh TORINO-pro** is used in compound heat insulation systems as specified in the latest APU selection criteria. Within the reveal the profile is stuck flush to the structural element there and after completion of the plastering work forms a clean and reliable termination of the plaster with shadow gap.

The profile comes with a self-adhesive PE foam tape, which ensures a watertight, lasting seal. After the protective flap is pulled off, the integrated TPE loop can absorb movements in the area around the joint. There is a fabric window reveal bead welded onto the profile. Each bar has a fabric overhang on one side of 10cm in the lengthways direction. There is a piece of self-adhesive tape on protective flap in order to secure the third-party protective film. This protects the window during the plastering work. After completion of these tasks, the protective flap is pulled off and what is created is a clean edge to the plaster.



W34 - pro

Design

	ITEM NO.	LENGTH	PACKAGING UNIT	WEIGHT (per PU)
--	----------	--------	----------------	-----------------

TORINO-pro window reveal bead with mesh

W34 - pro

With shadow gap and 12.5 cm mesh **W34-24PRO** 2.4 m 25 bars = 60 m 10.5 kg

Features

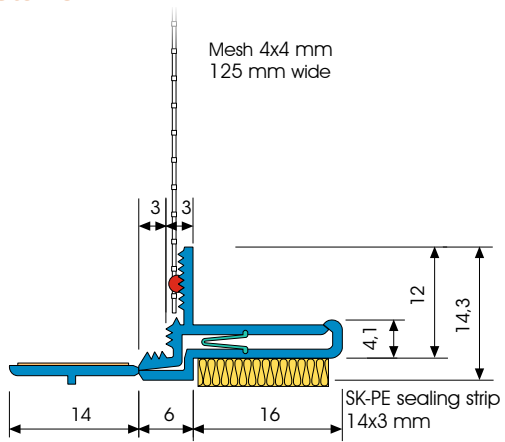
	TORINO-PRO WINDOW REVEAL BEAD WITH MESH
Material	<ul style="list-style-type: none"> ■ Rigid PVC manufactured under DIN-16941 ■ TPE manufactured under DIN-16941
Protective flap	<ul style="list-style-type: none"> ■ Detachable with soft TPE connection and double-sided adhesive tape
Features	<ul style="list-style-type: none"> ■ Flexible TPE loop
Seal	<ul style="list-style-type: none"> ■ PE foam tape 14 x 3 mm
Mesh	<ul style="list-style-type: none"> ■ Min. 160 g/m² approved for compound heat insulation systems ■ 12.5 cm wide – MW 4 x 4 mm ■ Ultrasonic welded
Inspections	<ul style="list-style-type: none"> ■ VDPM leaflet: Class A with adhesive connection ■ Ö-Norm 6400-2: Class III

Important information

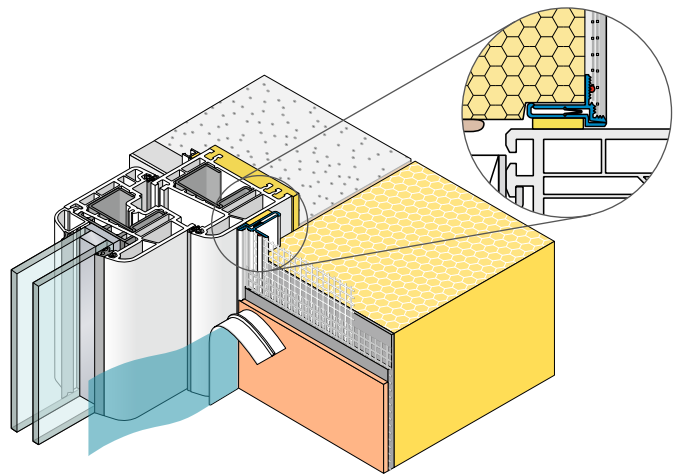
Storage	Always store profiles laid down in a dry place.
Test of adhesion	Perform adhesion test. ▶ See general tips – APU test of adhesion
Other applications	Any applications not clearly described in the documents may be implemented only after consultation with the plaster or ETICS manufacturer.
Selection criteria	Adhere to the latest APU selection criteria. ▶ see APU selection criteria

For information on materials, areas of use, tests and correct application, please refer to our 'General Advice and Information'

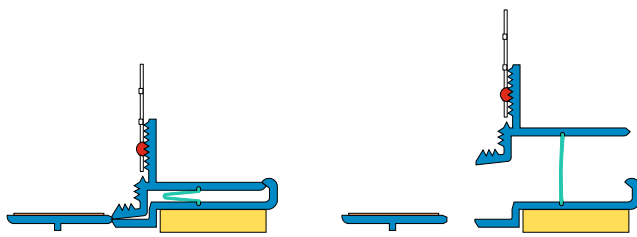
Details



Sectional drawing in mm



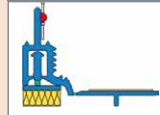
Application drawing



Function



W35 - pro



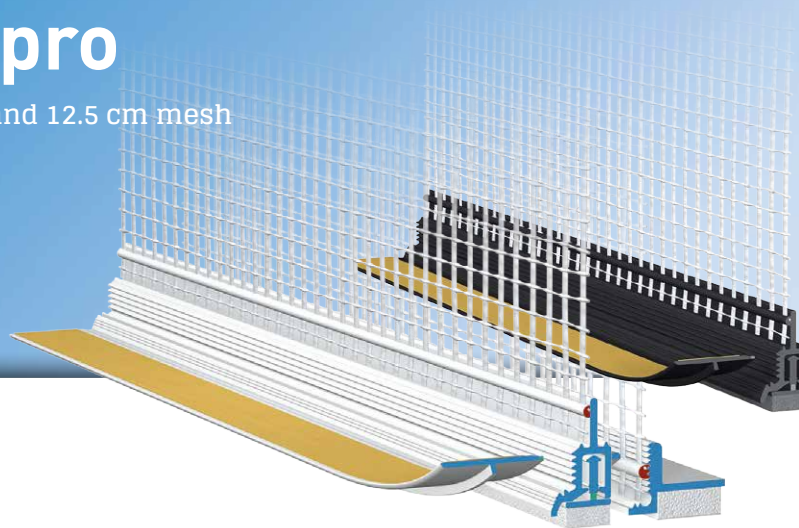
APU®

PROFILES FOR COMPOUND HEAT INSULATION SYSTEMS

Telescopic window reveal bead with mesh

FLEX-pro

With shadow gap and 12.5 cm mesh



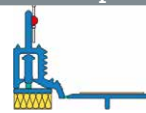
The **APU telescopic window reveal bead with mesh FLEX-plus** is used in compound heat insulation systems as specified in the latest APU selection criteria.

In front of the reveal insulation the profile is stuck flush to the structural element there and after completion of the plastering work forms a clean and reliable termination of the plaster with shadow gap.

The profile comes with a self-adhesive PE foam tape, which ensures a watertight, lasting seal. The integrated telescopic mechanism can absorb movements in any direction in the area around the joint. The profiles can be joined overlapping where the elements abut. There is a fabric window reveal bead welded onto the profile. Each bar has a fabric overhang on one side of 10cm in the lengthways direction. There is a piece of self-adhesive tape on protective flap in order to secure the third-party protective film. This protects the window during the plastering work. After completion of these tasks, the protective flap is pulled off and what is created is a clean edge to the plaster.



W35 - pro



Design

	ITEM NO.	LENGTH	PACKAGING UNIT	WEIGHT (per PU)
--	----------	--------	----------------	-----------------

FLEX-pro telescopic window reveal bead with mesh

W35 - pro

With shadow gap and 12.5 cm mesh	W35-24PRO	2.4 m	25 bars = 60 m	8.6 kg
Grey, similar to RAL 7016	W35-24PRO-7016	2.4 m	25 bars = 60 m	8.6 kg

Features

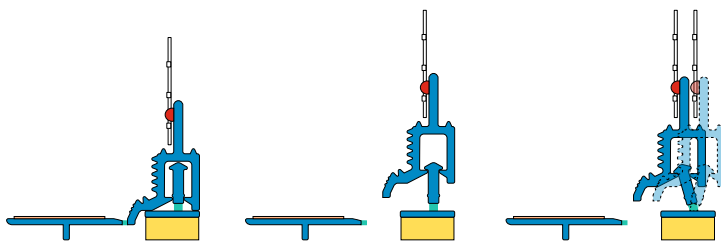
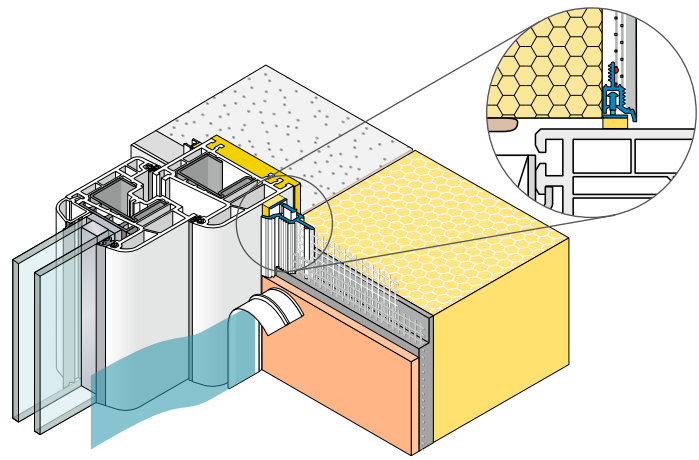
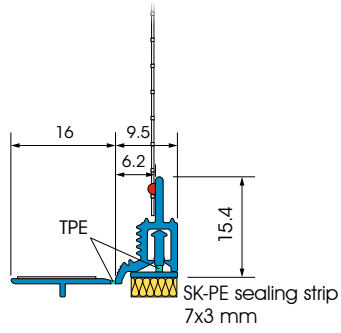
	FLEX-PRO TELESCOPIC WINDOW REVEAL BEAD WITH MESH
Material	<ul style="list-style-type: none"> ■ Rigid PVC manufactured under DIN-16941 ■ TPE manufactured under DIN-16941
Protective flap	■ Detachable with soft TPE connection and double-sided adhesive tape
Features	■ Telescopic bar with flexible TPE connection
Seal	■ PE foam tape 7x3 mm
Mesh	<ul style="list-style-type: none"> ■ Min. 160 g/m² approved for compound heat insulation systems ■ 12.5 cm wide – MW 4x4 mm ■ Ultrasonic welded
Inspections	<ul style="list-style-type: none"> ■ VDPM leaflet: Class A with adhesive connection ■ Ö-Norm 6400-2: Class III

Important information

Storage	Always store profiles laid down in a dry place.
Test of adhesion	Perform adhesion test. ▶ See general tips – APU test of adhesion
Other applications	Any applications not clearly described in the documents may be implemented only after consultation with the plaster or ETICS manufacturer.
Selection criteria	Adhere to the latest APU selection criteria. ▶ see APU selection criteria

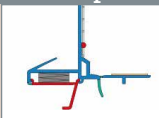
For information on materials, areas of use, tests and correct application, please refer to our 'General Advice and Information'

Details

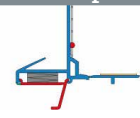




W36 - plus



W36 - pro



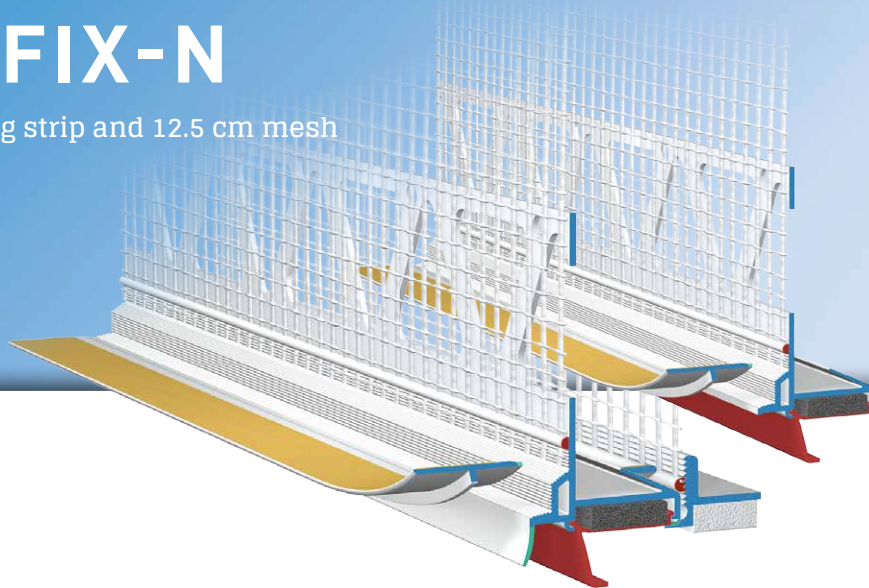
APU®

PROFILES FOR COMPOUND HEAT INSULATION SYSTEMS

Window reveal bead with mesh

PUR-FIX-N

With PUR sealing strip and 12.5 cm mesh



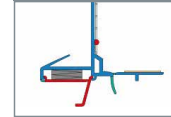
The **APU window reveal bead with mesh PUR-FIX-N** is used in compound heat insulation systems as specified in the latest APU selection criteria. After opening the activation tab in the reveal insulation, the profile is fixed in the insulating material at a distance of c. 2 mm from the structural element using the plastic nails provided (Z21), and after completion of the plastering work provides a clean, reliable plaster junction.

The profile comes with an expanding PUR sealing strip, which ensures a watertight, lasting seal without any sticking directly to the structural element.

The PUR sealing strip is impacted lengthways in the profile and has an overhang for sealing the joint at the end of the profile. The PUR sealing strip is able to absorb relatively large movements in the area around the joint. There is a fabric window reveal bead welded onto the profile. Each bar has a fabric overhang on one side of 10cm in the lengthways direction. The profile is available in two versions: with protective lip (W36 - plus) or with shadow gap (W36 - pro). There is a piece of self-adhesive tape on protective flap in order to secure the third-party protective film. This protects the window during the plastering work. After completion of these tasks, the protective flap is pulled off and what is created is a clean edge to the plaster.



W36 - plus



W36 - pro



Design

	ITEM NO.	LENGTH	PACKAGING UNIT	WEIGHT (per PU)
PUR-FIX-N window reveal bead with mesh				
With 12.5 cm mesh				
W36 - plus				
■ PUR-FIX-N window reveal bead with mesh With protective lip	W36-24PLUS	2.4 m	25 bars = 60 m	14.8 kg
W36 - pro				
■ PUR-FIX-N-pro window reveal bead with mesh with shadow gap	W36-24PRO	2.4 m	25 bars = 60 m	14.8 kg

Features

	PUR-FIX-N WINDOW REVEAL BEAD WITH MESH
Material	<ul style="list-style-type: none"> ■ Rigid PVC manufactured under DIN-16941 ■ TPE manufactured under DIN-16941
Protective flap	<ul style="list-style-type: none"> ■ Detachable with soft TPE connection and double-sided adhesive tape
Fixation	<ul style="list-style-type: none"> ■ Plastic nails Z21
Seal	<ul style="list-style-type: none"> ■ PUR sealing strip, 12 mm, type BG1 ■ Watertight for joints of 3-9mm
Mesh	<ul style="list-style-type: none"> ■ Min. 160 g/m² approved for compound heat insulation systems ■ 12.5 cm wide – MW 4x4 mm ■ Ultrasonic welded
Accessories	<ul style="list-style-type: none"> ■ Z21-2000 APU plastic nails ■ Z14-0000 APU-plug connectors
Inspections	<ul style="list-style-type: none"> ■ VDPM leaflet: Class A without adhesive connection ■ Ö-Norm 6400-2: Class III

Important information

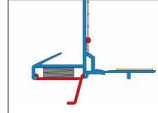
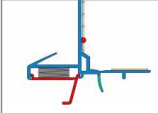
Storage	Always store profiles laid down in a dry place.
Test of adhesion	No test of adhesion required.
Other applications	Any applications not clearly described in the documents may be implemented only after consultation with the plaster or ETICS manufacturer.
Selection criteria	Adhere to the latest APU selection criteria. ▶ see APU selection criteria

For information on materials, areas of use, tests and correct application, please refer to our 'General Advice and Information'



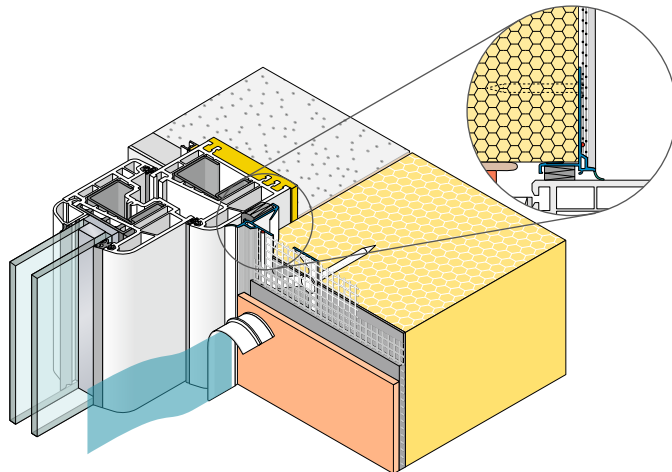
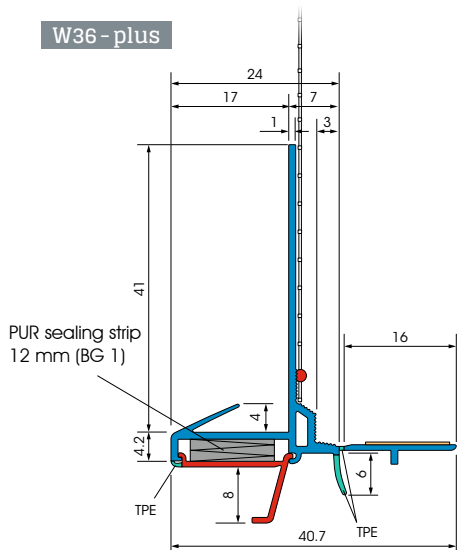
W36 - plus

W36 - pro

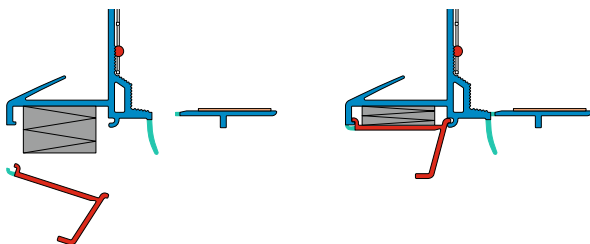


Details

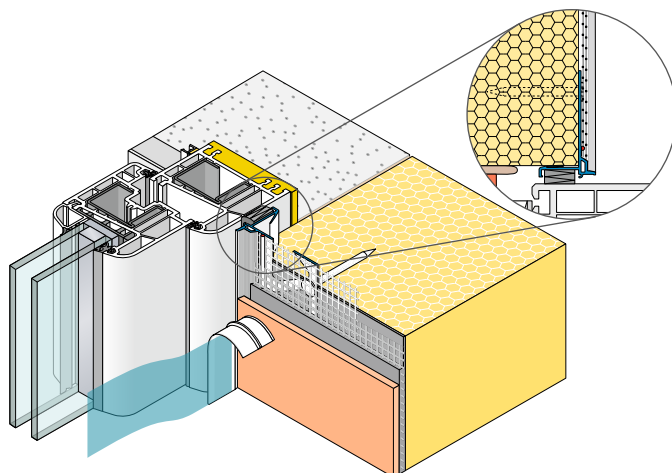
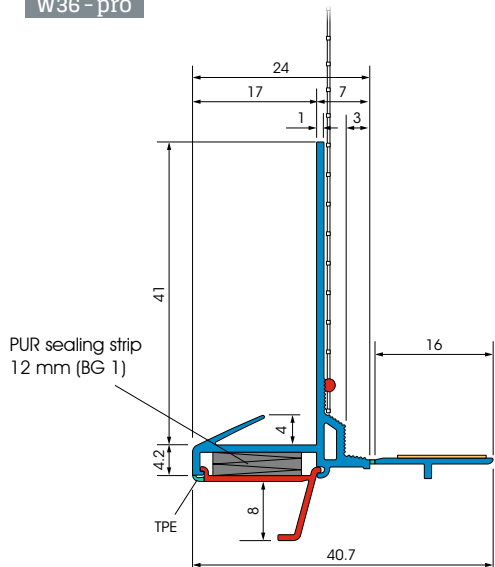
W36 - plus



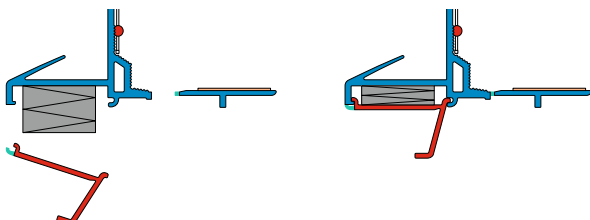
Function



W36 - pro

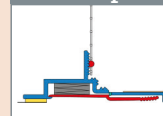


Function





W38 - pro



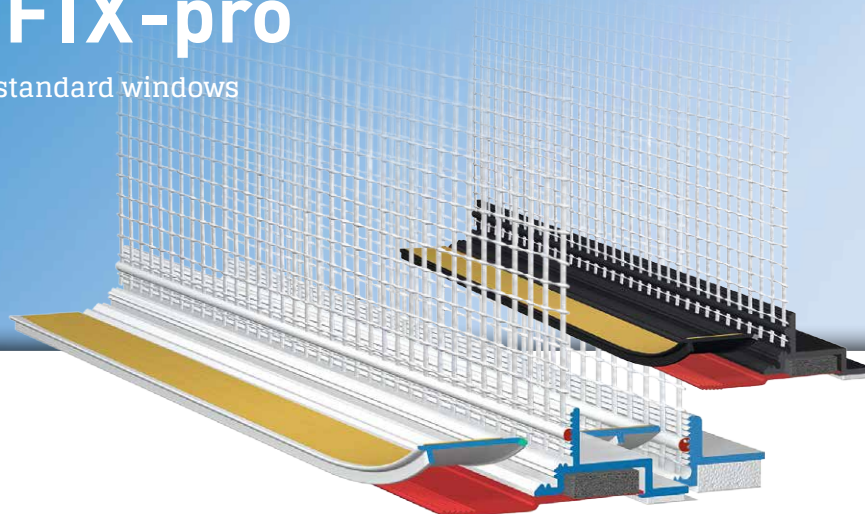
APU®

PROFILES FOR COMPOUND HEAT INSULATION SYSTEMS

Window reveal bead with mesh

PUR-FIX-pro

Suitable for all standard windows and doors.



The **APU window reveal bead with mesh PUR-FIX-pro** is used in compound heat insulation systems as specified in the latest APU selection criteria. The profile is put in place shortly before the insulation of the reveal, is fixed flush to the structural element and after completion of the plastering work provides a clean and reliable termination of the plaster with a shadow gap.

The profile comes with an expanding PUR sealing strip, which ensures a watertight, lasting seal without any sticking directly to the structural element. The PUR sealing strip is impacted lengthways in the profile and has an overhang for sealing the joint. The PUR sealing strip is able to absorb relatively large movements in the area around the joint. There is a fabric window reveal bead welded onto the profile. Each bar has a fabric overhang on one side of 10cm in the lengthways direction. There is a piece of self-adhesive tape on protective flap in order to secure the third-party protective film. This protects the window during the plastering work. After completion of the work the protective flap and the red activation tab are removed and what is created is a clean plaster edge. The profile is thus suitable for all standard windows and doors and can be universally used.



Design

	ITEM NO.	LENGTH	PACKAGING UNIT	WEIGHT (per PU)
--	----------	--------	----------------	-----------------

PUR-FIX-pro window reveal bead with mesh

W38 - pro				
With shadow gap and 12.5 cm mesh	W38-14PRO	1.4 m	25 bars = 35 m	7.4 kg
	W38-24PRO	2.4 m	25 bars = 60 m	12.4 kg
Grey, similar to RAL 7016	W38-24PRO-7016	2.4 m	25 bars = 60 m	12.4 kg

Features

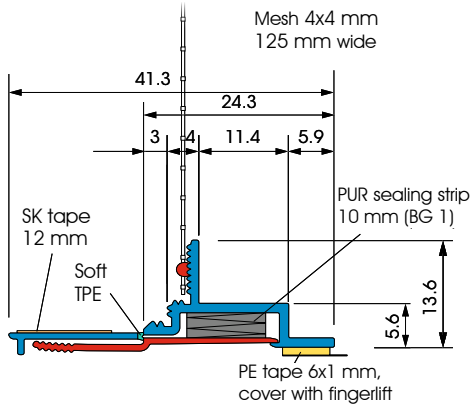
	PUR-FIX-PRO WINDOW REVEAL BEAD WITH MESH
Material	<ul style="list-style-type: none"> ■ Rigid PVC manufactured under DIN-16941
Protective flap	<ul style="list-style-type: none"> ■ Detachable with soft TPE connection and double-sided adhesive tape
Fixation	<ul style="list-style-type: none"> ■ PE foam tape 6 x 1 mm
Seal	<ul style="list-style-type: none"> ■ PUR sealing strip, 10 mm, type BG1 ■ Watertight for joints of 3-9mm
Mesh	<ul style="list-style-type: none"> ■ Min. 160 g/m² approved for compound heat insulation systems ■ MW 4 x 4 mm ■ Ultrasonic welded
Inspections	<ul style="list-style-type: none"> ■ VDPM leaflet: Class A without adhesive connection ■ Ö-Norm 6400-2: Class III

Important information

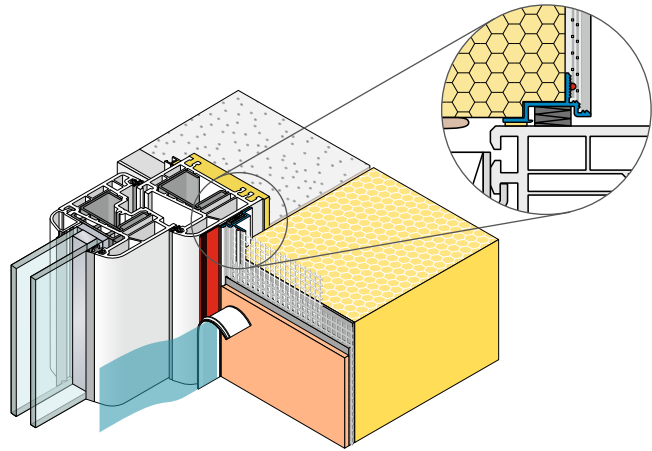
Storage	Always store profiles laid down in a dry place.
Test of adhesion	No test of adhesion required.
Other applications	Any applications not clearly described in the documents may be implemented only after consultation with the plaster or ETICS manufacturer.
Selection criteria	Adhere to the latest APU selection criteria. ▶ see <i>APU selection criteria</i>

For information on materials, areas of use, tests and correct application, please refer to our 'General Advice and Information'

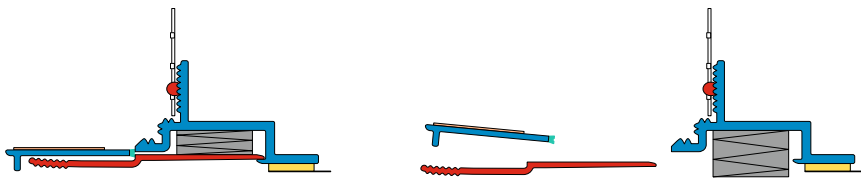
Details



Sectional drawing in mm



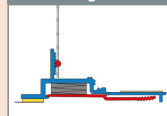
Application drawing



Function



W38 - pro - K



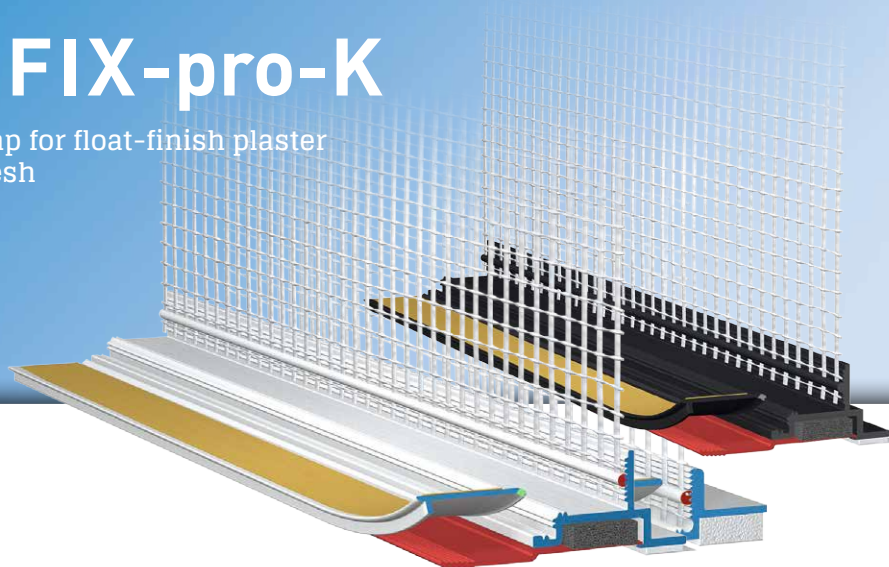
APU®

PROFILES FOR COMPOUND HEAT INSULATION SYSTEMS

Window reveal bead with mesh

PUR-FIX-pro-K

With shadow gap for float-finish plaster
and 12.5 cm mesh



The **APU window reveal bead with mesh PUR-FIX-pro-K** is used in compound heat insulation systems as specified in the latest APU selection criteria. The profile is put in place shortly before the insulation of the reveal, is fixed flush to the structural element and after completion of the plastering work provides a clean and reliable termination of the plaster with a shadow gap. The profile contour enables the application of a thick layer of plaster / float-finish plaster.

The profile comes with an expanding PUR sealing strip, which ensures a direct, watertight and lasting seal with the structural element without any use of adhesives. The PUR sealing strip is impacted lengthways in the profile and has an overhang for sealing the joint. The PUR sealing strip is able to absorb relatively large movements in the area around the joint. There is a fabric window reveal bead welded onto the profile. Each bar has a fabric overhang on one side of 10cm in the lengthways direction. There is a piece of self-adhesive tape on protective flap in order to secure the third-party protective film. This protects the window during the plastering work. After completion of the work the protective flap and the red activation tab are removed and what is created is a clean plaster edge. The profile is thus suitable for all standard windows and doors and can be universally used.



Design

	ITEM NO.	LENGTH	PACKAGING UNIT	WEIGHT (per PU)
--	----------	--------	----------------	-----------------

PUR-FIX-pro-K window reveal bead with mesh

W38 - pro - K				
With shadow gap for float-finish plaster	W38-24PRO-K	2.4 m	25 bars = 60 m	12.4 kg
Grey, similar to RAL 7016	W38-24PRO-K-7016	2.4 m	25 bars = 60 m	12.4 kg

Features

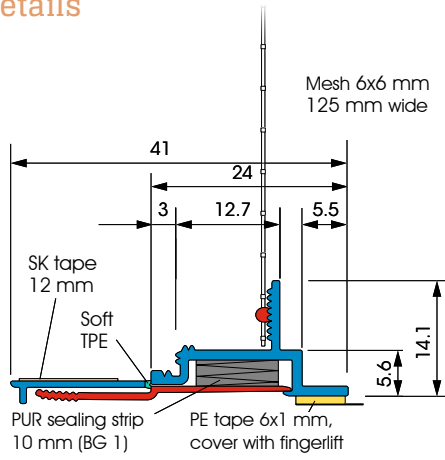
PUR-FIX-PRO-K WINDOW REVEAL BEAD WITH MESH	
Material	<ul style="list-style-type: none"> ■ Rigid PVC manufactured under DIN-16941
Protective flap	<ul style="list-style-type: none"> ■ Detachable with soft TPE connection and double-sided self-adhesive tape
Fixation	<ul style="list-style-type: none"> ■ PE foam tape 6 x 1 mm
Seal	<ul style="list-style-type: none"> ■ PUR sealing strip, 10 mm, type BG1 ■ Watertight for joints of 3-9mm
Mesh	<ul style="list-style-type: none"> ■ Min. 160 g/m² approved for compound heat insulation systems ■ 12.5 cm wide – MW 6 x 6 mm ■ Ultrasonic welded

Important information

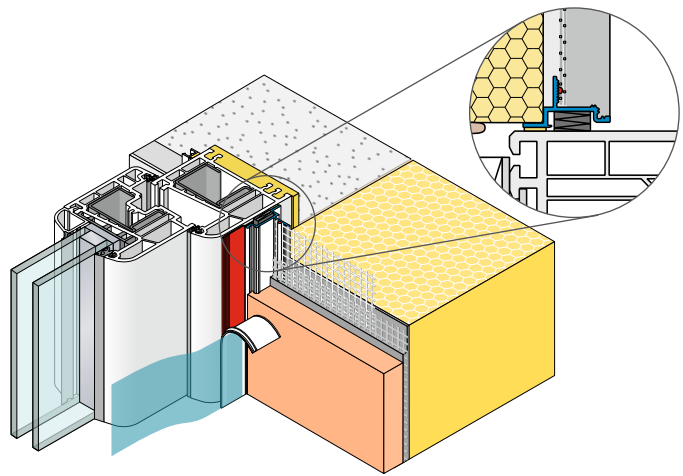
Storage	Always store profiles laid down in a dry place.
Test of adhesion	No test of adhesion required.
Other applications	Any applications not clearly described in the documents may be implemented only after consultation with the plaster or ETICS manufacturer.
Selection criteria	Adhere to the latest APU selection criteria. ▶ see <i>APU selection criteria</i>

For information on materials, areas of use, tests and correct application, please refer to our 'General Advice and Information'

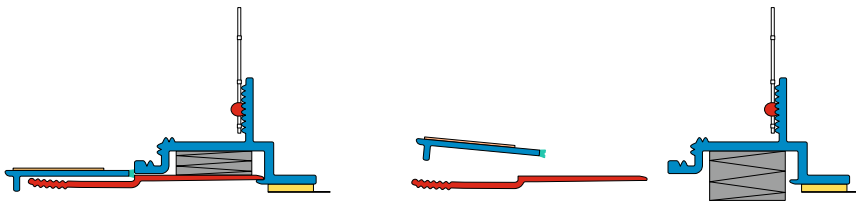
Details



Sectional drawing in mm



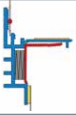
Application drawing



Function



W39



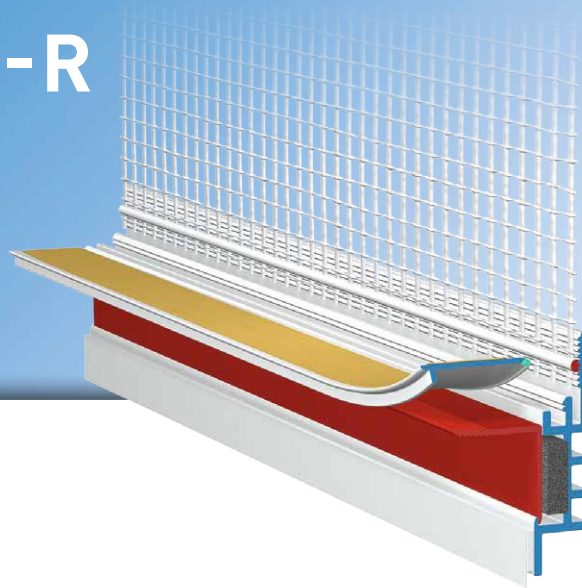
APU®

PROFILES FOR COMPOUND HEAT INSULATION SYSTEMS

Window reveal bead with mesh

PUR-FIX-R

With 12.5 cm mesh

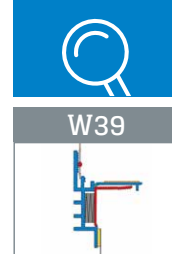


The **APU window reveal bead with mesh PUR-FIX-R** is used in compound heat insulation systems as specified in the latest APU selection criteria.

The profile is put in place shortly before the insulation of the reveal, is fixed flush to the side of the roller shutter guide rail and after completion of the plastering work provides a clean and reliable termination of the plaster.

The profile comes with an expanding PUR sealing strip, which ensures a watertight, lasting seal without any sticking directly to the structural element. The PUR sealing strip is impacted lengthways in the profile and has an overhang for sealing the joint. The PUR sealing strip is able to absorb relatively large movements in the area around the joint. There is a fabric window reveal bead welded onto the profile. Each bar has a fabric overhang on one side of 10cm in the lengthways direction. There is a piece of self-adhesive tape on protective flap in order to secure the third-party protective film. This protects the window during the plastering work. After completion of the work the protective flap and the red activation tab are removed and what is created is a clean plaster edge.

The profile is thus suitable for all standard shutter tracks and can be universally used.



Design

	ITEM NO.	LENGTH	PACKAGING UNIT	WEIGHT (per PU)
--	----------	--------	----------------	-----------------

PUR-FIX-R window reveal bead with mesh

W39	W39-2400	2.4 m	25 bars = 60 m	14.0 kg
-----	----------	-------	----------------	---------

Features

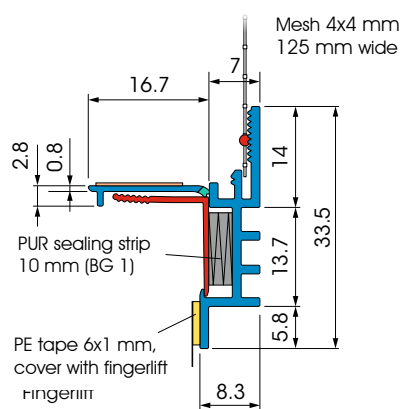
	PUR-FIX-R WINDOW REVEAL BEAD WITH MESH
Material	<ul style="list-style-type: none"> ■ Rigid PVC manufactured under DIN-16941
Protective flap	<ul style="list-style-type: none"> ■ Can be pulled off using double-sided self-adhesive tape
Fixation	<ul style="list-style-type: none"> ■ PE foam tape 6 x 1 mm
Seal	<ul style="list-style-type: none"> ■ PUR sealing strip, 10 mm, type BG1 ■ Watertight for joints of 3-9mm
Mesh	<ul style="list-style-type: none"> ■ Min. 160 g/m² approved for compound heat insulation systems ■ 12.5 cm wide – MW 4 x 4 mm ■ Ultrasonic welded
Inspections	<ul style="list-style-type: none"> ■ VDPM leaflet: Class A without adhesive connection ■ Ö-Norm 6400-2: Class III

Important information

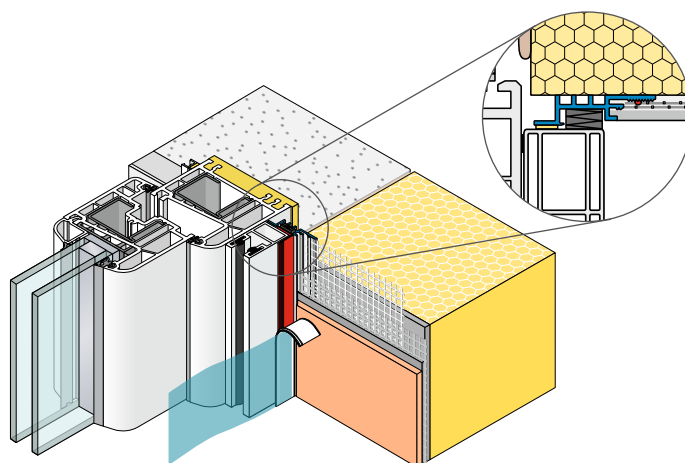
Storage	Always store profiles laid down in a dry place.
Sub-surface	The sub-surface must be even, dry, free of dust and suitable for the profile to be fixed on.
Test of adhesion	No test of adhesion required.

For information on materials, areas of use, tests and correct application, please refer to our 'General Advice and Information'

Details



Sectional drawing in mm



Application drawing



W40-0



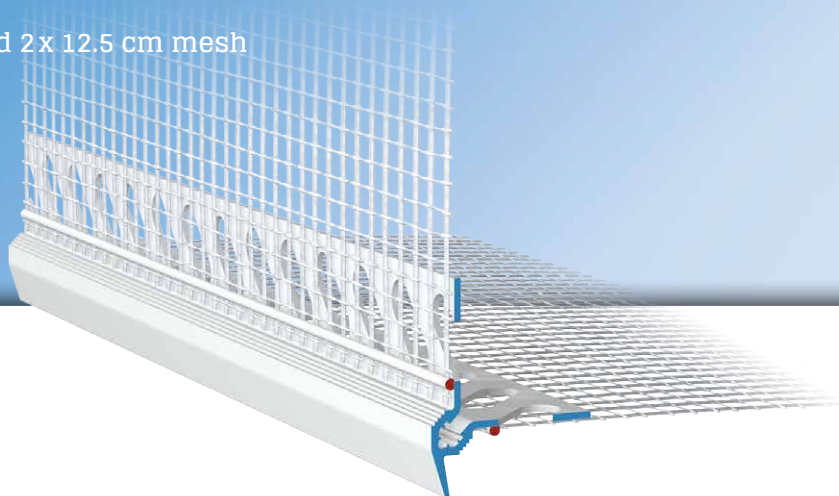
APU®

PROFILES FOR COMPOUND HEAT INSULATION SYSTEMS

Drip bead

DROP-TEX-ZERO

With drip edge and 2 x 12.5 cm mesh



The **APU drip bead DROP-TEX-ZERO** is used horizontally in compound heat insulation systems for recessed building elements, such as window and door jambs. The profile contour with its visible drip edge offers a reliable solution in respect of downward guidance of water.

The profile has two punched plaster bars. Welded onto every bar is a fabric strip. Each bar has a fabric overhang on one side of 10cm in the lengthways direction. To improve plaster take-up, the surfaces of the plaster edges are grooved.



Design

	ITEM NO.	LENGTH	PACKAGING UNIT	WEIGHT (per PU)
--	----------	--------	----------------	-----------------

DROP-TEX-ZERO drip bead

W40-0	W40-0-2000	2.0 m	25 bars = 50 m	7.1 kg
-------	------------	-------	----------------	--------

With drip edge and 2 x 12.5 cm mesh

Features

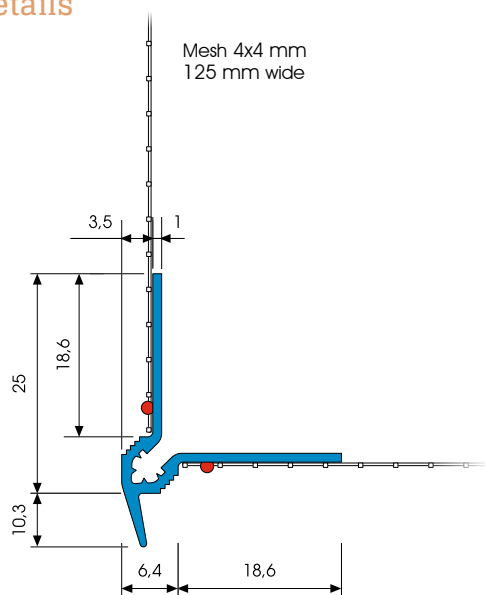
	DROP-TEX-ZERO DRIP BEAD
Material	<ul style="list-style-type: none"> ■ Rigid PVC manufactured under DIN-16941
Mesh	<ul style="list-style-type: none"> ■ Min. 160 g/m² approved for compound heat insulation systems ■ 2 x 12.5 cm wide – MW 4 x 4 mm ■ Ultrasonic welded
Accessories	<ul style="list-style-type: none"> ■ Z13-0000 Plug connectors (1 bag) ■ Z18-0-1010i Internal corners (2 pieces) ■ Z18-0-1010a External corners (4 pieces)

Important information

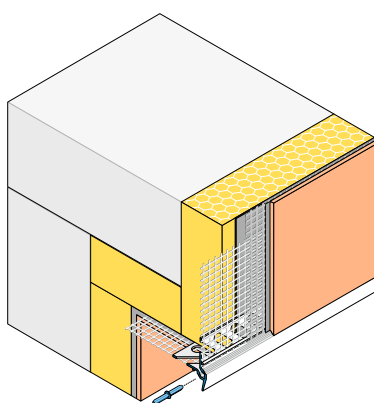
Storage	Always store profiles laid down in a dry place.
Other applications	Any applications not clearly described in the documents may be implemented only after consultation with the plaster or ETICS manufacturer.

For information on materials, areas of use, tests and correct application, please refer to our 'General Advice and Information'

Details



Sectional drawing in mm



Application drawing



W40 - 1



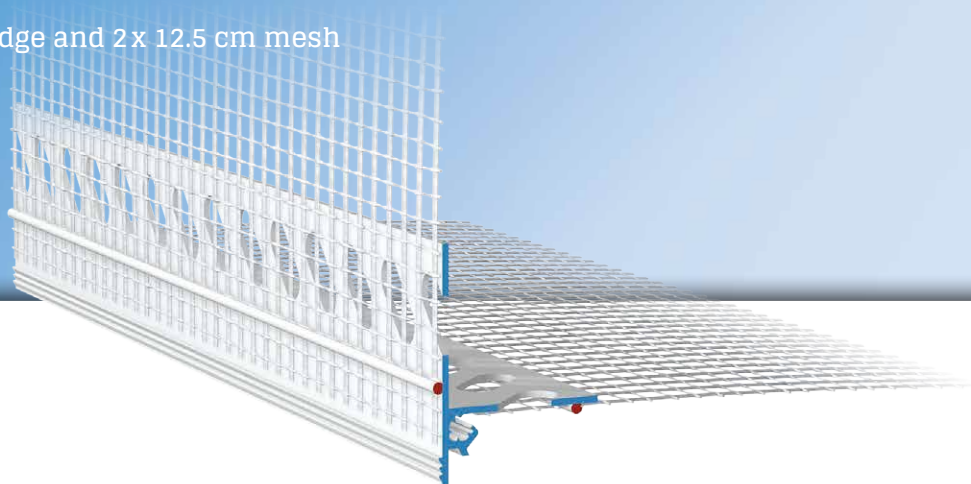
APU[®]

PROFILES FOR COMPOUND HEAT INSULATION SYSTEMS

Drip bead

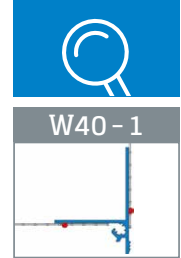
DROP-TEX-UNO

With straight drip edge and 2 x 12.5 cm mesh



The **APU drip bead DROP-TEX-UNO** is used horizontally in compound heat insulation systems for recessed building elements, such as window and door jambs. The straight profile contour provides a reliable solution in respect of downward guidance of water.

The profile has two punched plaster bars. Welded onto every bar is a fabric strip. Each bar has a fabric overhang on one side of 10cm in the lengthways direction. To improve plaster take-up, the surfaces of the plaster edges are grooved.



Design

	ITEM NO.	LENGTH	PACKAGING UNIT	WEIGHT (per PU)
--	----------	--------	----------------	-----------------

DROP-TEX-UNO drip bead

W40-1	W40-1-2000	2.0 m	25 bars = 50 m	7.8 kg
-------	------------	-------	----------------	--------

With straight drip edge and 2 x 12.5 cm mesh

Features

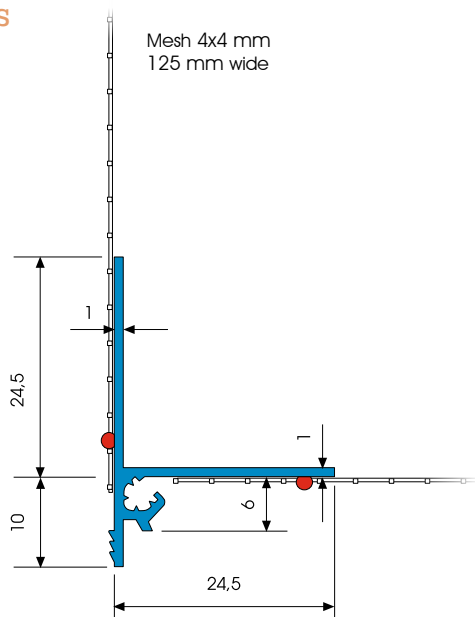
	DROP-TEX-UNO DRIP BEAD
Material	<ul style="list-style-type: none"> ■ Rigid PVC manufactured under DIN-16941
Mesh	<ul style="list-style-type: none"> ■ Min. 160 g/m² approved for compound heat insulation systems ■ 2 x 12.5 cm wide – MW 4 x 4 mm ■ Ultrasonic welded
Accessories	<ul style="list-style-type: none"> ■ Z13-0000 Plug connectors (1 bag) ■ Z18-1-1010i Internal corners (2 pieces) ■ Z18-1-1010a External corners (4 pieces)

Important information

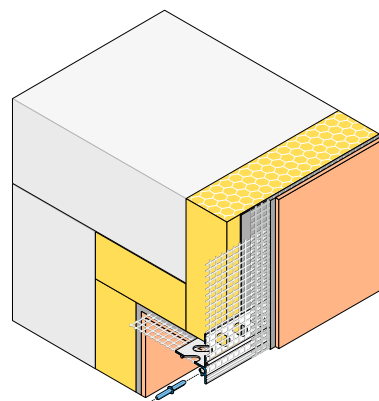
Storage	Always store profiles laid down in a dry place.
Other applications	Any applications not clearly described in the documents may be implemented only after consultation with the plaster or ETICS manufacturer.

For information on materials, areas of use, tests and correct application, please refer to our 'General Advice and Information'

Details



Sectional drawing in mm



Application drawing



W40-2



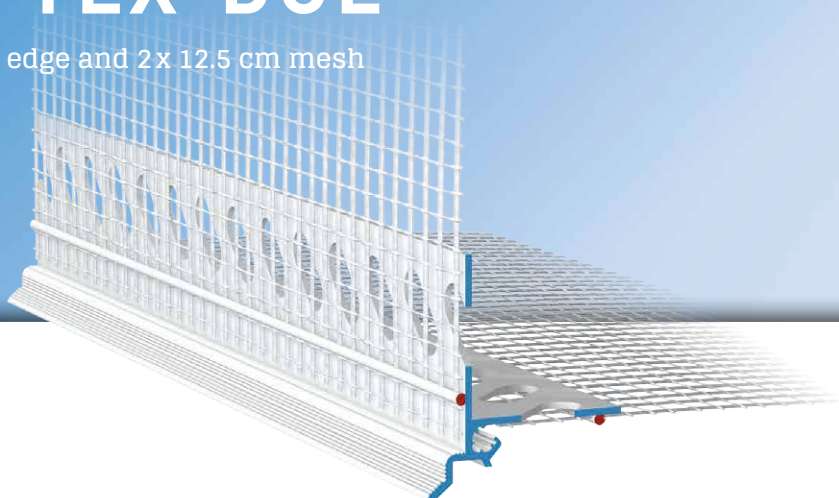
APU®

PROFILES FOR COMPOUND HEAT INSULATION SYSTEMS

Drip bead

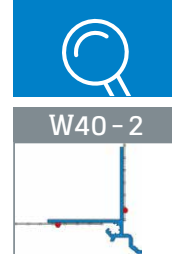
DROP-TEX-DUE

With cranked drip edge and 2 x 12.5 cm mesh



The **APU drip bead DROP-TEX-DUE** is used horizontally in compound heat insulation systems for recessed building elements, such as window and door jambs. The cranked profile contour provides a reliable solution in respect of downward guidance of water.

The profile has two punched plaster bars. Welded onto every bar is a fabric strip. Each bar has a fabric overhang on one side of 10cm in the lengthways direction. To improve plaster take-up, the surfaces of the plaster edges are grooved.



Design

	ITEM NO.	LENGTH	PACKAGING UNIT	WEIGHT (per PU)
--	----------	--------	----------------	-----------------

DROP-TEX-DUE drip bead

W40-2	W40-2-2000	2.0 m	25 bars = 50 m	8.0 kg
-------	------------	-------	----------------	--------

With cranked drip edge and 2x 12.5 cm mesh

Features

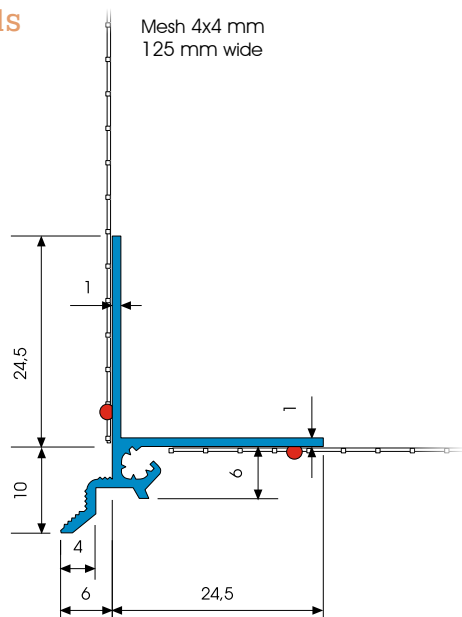
	DROP-TEX-DUE DRIP BEAD
Material	<ul style="list-style-type: none"> ■ Rigid PVC manufactured under DIN-16941
Mesh	<ul style="list-style-type: none"> ■ Min. 160 g/m² approved for compound heat insulation systems ■ 2 x 12.5 cm wide – MW 4x4 mm ■ Ultrasonic welded
Accessories	<ul style="list-style-type: none"> ■ Z13-0000 Plug connectors (1 bag) ■ Z18-2-1010i Internal corners (2 pieces) ■ Z18-2-1010a External corners (4 pieces)

Important information

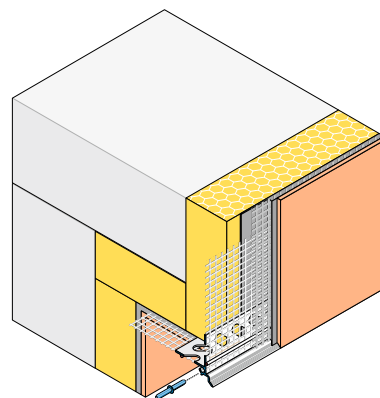
Storage	Always store profiles laid down in a dry place.
Other applications	Any applications not clearly described in the documents may be implemented only after consultation with the plaster or ETICS manufacturer.

For information on materials, areas of use, tests and correct application, please refer to our 'General Advice and Information'

Details



Sectional drawing in mm



Application drawing



W40 - 3

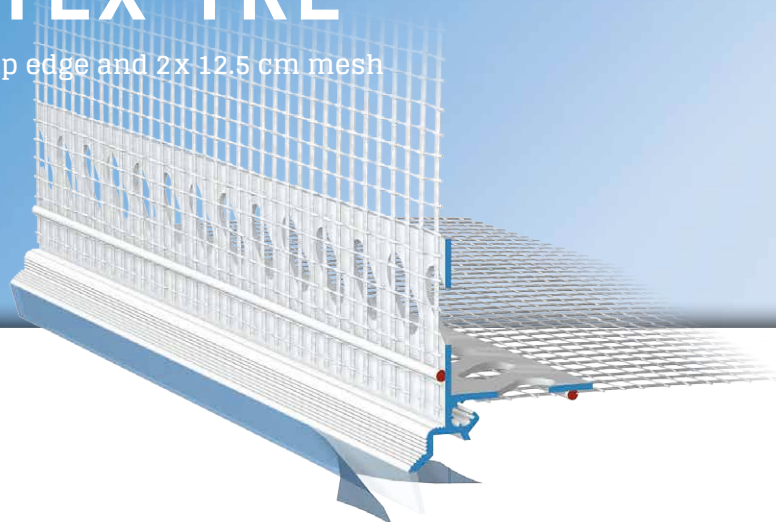
**APU**[®]

PROFILES FOR COMPOUND HEAT INSULATION SYSTEMS

Drip bead

DROP-TEX-TRE

With transparent drip edge and 2x 12.5 cm mesh



The **APU drip bead DROP-TEX-TRE** is used horizontally in compound heat insulation systems for recessed building elements, such as window and door jambs. The cranked profile contour with its transparent drip edge provides a reliable solution in respect of downward guidance of water.

The profile has two punched plaster bars. Welded onto every bar is a fabric strip. Each bar has a fabric overhang on one side of 10cm in the lengthways direction. To improve plaster take-up, the surfaces of the plaster edges are grooved.



Design

	ITEM NO.	LENGTH	PACKAGING UNIT	WEIGHT (per PU)
--	----------	--------	----------------	-----------------

DROP-TEX-TRE drip bead

W40-3

With transparent drip edge and 2 x 12.5 cm mesh **W40-3-2000** 2.0 m 25 bars = 50 m 8.3 kg

Features

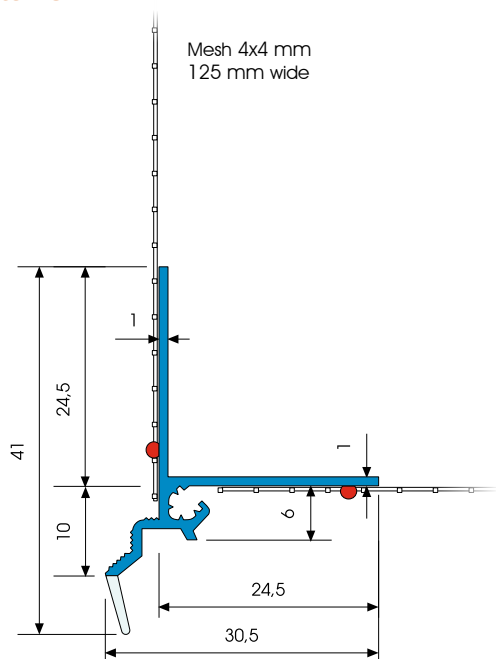
	DROP-TEX-TRE DRIP BEAD
Material	<ul style="list-style-type: none"> ■ Rigid PVC manufactured under DIN-16941
Mesh	<ul style="list-style-type: none"> ■ Min. 160 g/m² approved for compound heat insulation systems ■ 2 x 12.5 cm wide – MW 4 x 4 mm ■ Ultrasonic welded
Accessories	<ul style="list-style-type: none"> ■ Z13-0000 Plug connectors (1 bag)

Important information

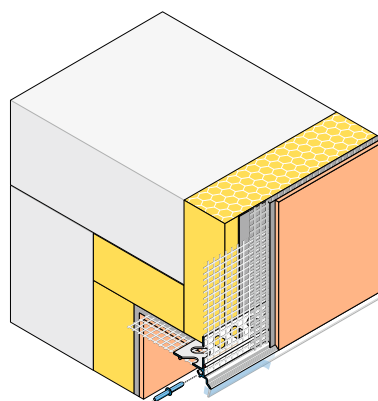
Storage	Always store profiles laid down in a dry place.
Other applications	Any applications not clearly described in the documents may be implemented only after consultation with the plaster or ETICS manufacturer.

For information on materials, areas of use, tests and correct application, please refer to our 'General Advice and Information'

Details



Sectional drawing in mm



Application drawing



W40 - 4



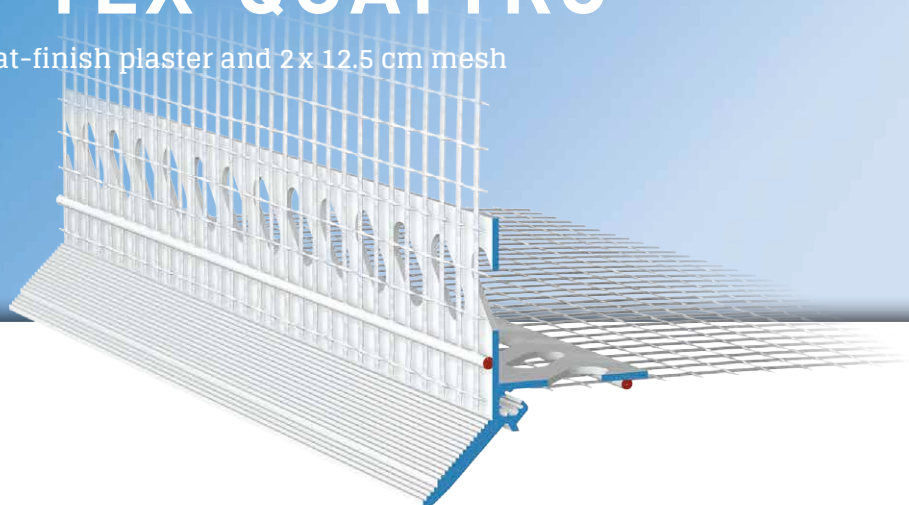
APU®

PROFILES FOR COMPOUND HEAT INSULATION SYSTEMS

Drip bead

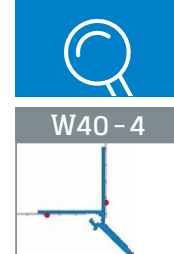
DROP-TEX-QUATTRO

With edge for float-finish plaster and 2 x 12.5 cm mesh



The **APU drip bead DROP-TEX-QUATTRO** is used horizontally in compound heat insulation systems for recessed building elements, such as window and door jambs. The diagonal profile contour for float-finish plaster provides a reliable solution in respect of downward guidance of water.

The profile has two punched plaster bars. Welded onto every bar is a fabric strip. Each bar has a fabric overhang on one side of 10cm in the lengthways direction. To improve plaster take-up, the surfaces of the plaster edges are grooved.



Design

	ITEM NO.	LENGTH	PACKAGING UNIT	WEIGHT (per PU)
--	----------	--------	----------------	-----------------

DROP-TEX-QUATTRO drip bead

W40-4

With edge for float-finish plaster and 2 x 12.5 cm mesh

W40-4-2000

2.0 m

25 bars = 50 m

10.2 kg

Features

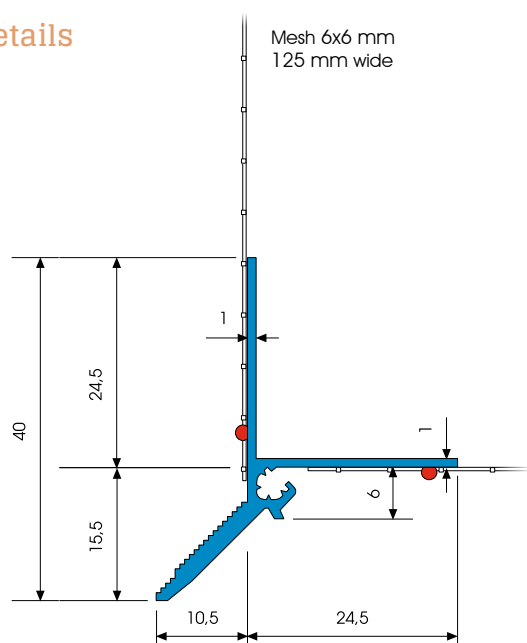
	DROP-TEX-QUATTRO DRIP BEAD
Material	<ul style="list-style-type: none"> ■ Rigid PVC manufactured under DIN-16941
Mesh	<ul style="list-style-type: none"> ■ Min. 160 g/m² approved for compound heat insulation systems ■ 2 x 12.5 cm wide – MW 6 x 6 mm ■ Ultrasonic welded
Accessories	<ul style="list-style-type: none"> ■ Z13-0000 Plug connectors (1 bag) ■ Z18-4-1010i Internal corners (2 pieces) ■ Z18-4-1010a External corners (4 pieces)

Important information

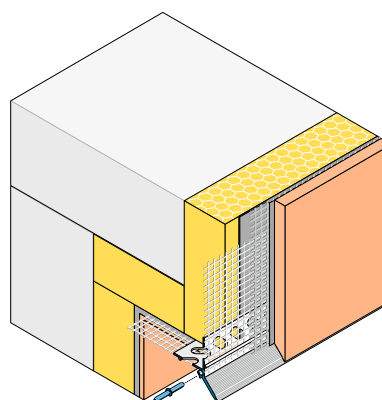
Storage	Always store profiles laid down in a dry place.
Other applications	Any applications not clearly described in the documents may be implemented only after consultation with the plaster or ETICS manufacturer.

For information on materials, areas of use, tests and correct application, please refer to our 'General Advice and Information'

Details



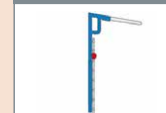
Sectional drawing in mm



Application drawing



W41

**APU**[®]

PROFILES FOR COMPOUND HEAT INSULATION SYSTEMS

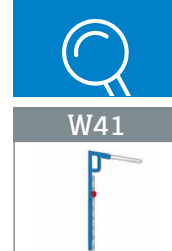
Stop bead with mesh

FEBA-TEX-ATTIKA

With soft drip edge and
12.5 cm mesh

The **APU stop bead with mesh FEBA-TEX-ATTIKA** is used in compound heat insulation systems. It forms a clean plaster termination under window sills or around roof parapets.

The profile has a PVC bar with holes punched in it. There is a fabric window reveal bead welded onto the profile. Each bar has a fabric overhang on one side of 10cm in the lengthways direction. Using the plug connectors (Z14) provided, the profiles can be aligned together flush where they butt up with each other. The soft, transparent drip edge accurately guides water away.



Design

	ITEM NO.	LENGTH	PACKAGING UNIT	WEIGHT (per PU)
--	----------	--------	----------------	-----------------

FEBA-TEX-ATTIKA stop bead with mesh

W41: With soft drip edge and 12.5 cm mesh	W41-2000	2.0 m	15 bars = 30 m	3.8 kg
---	-----------------	-------	----------------	--------

Features

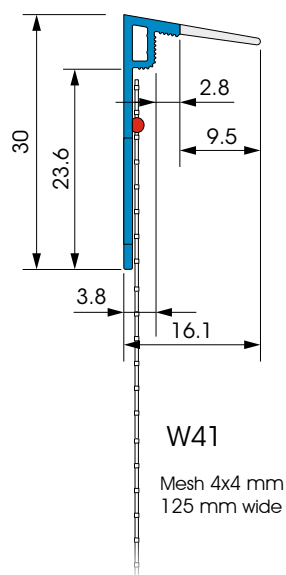
	FEBA-TEX-ATTIKA STOP BEAD WITH MESH
Material	<ul style="list-style-type: none"> ■ Rigid PVC manufactured under DIN 16941 ■ Soft PVC – transparent
Seal	<ul style="list-style-type: none"> ■ By others
Mesh	<ul style="list-style-type: none"> ■ Min. 160 g/m² approved for compound heat insulation systems ■ MW 4 x 4 mm ■ Ultrasonic welded
Accessories	<ul style="list-style-type: none"> ■ Z14-0000 Plug connectors (1 bag)

Important information

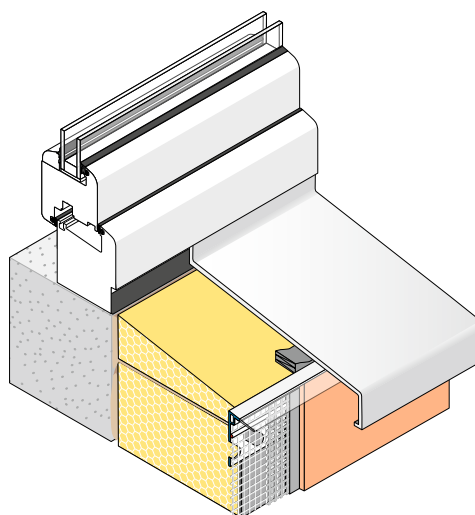
Storage	Always store profiles laid down in a dry place.
Other applications	Any applications not clearly described in the documents may be implemented only after consultation with the plaster or ETICS manufacturer.

For information on materials, areas of use, tests and correct application, please refer to our 'General Advice and Information'

Details



Sectional drawing in mm



Application drawing



W42

**APU**[®]

PROFILES FOR COMPOUND HEAT INSULATION SYSTEMS

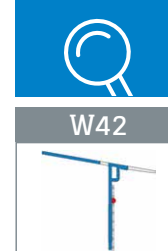
Stop bead with mesh

FEBA-TEX-UNI

With soft drip edge and
12.5 cm mesh

The **APU stop bead with mesh FEBA-TEX-UNI** is used in compound heat insulation systems. When a second sealant layer is being created, it forms a clean plaster termination under the window sill.

The profile has 2 plastic wings. As a result of the specified profile contour the required slope of at least 5 degrees is adhered to around the window sill. The top wing, which has no holes, is for applying a suitable sealing film. It is connected together with a soft connection and can thus be flexibly adapted to the appropriate angle of slope. The bottom wing has holes. There is a fabric window reveal bead welded onto the profile. Each bar has a fabric overhang on one side of 10cm in the lengthways direction. Using the plug connectors (Z14) provided, the profiles can be aligned together flush where they butt up with each other. The soft, transparent drip edge accurately guides water away.



Design

	ITEM NO.	LENGTH	PACKAGING UNIT	WEIGHT (per PU)
--	----------	--------	----------------	-----------------

FEBA-TEX-UNI stop bead with mesh

W42: With soft drip edge and 12.5 cm mesh	W42-2000	2.0 m	15 bars = 30 m	4.7 kg
---	-----------------	-------	----------------	--------

Features

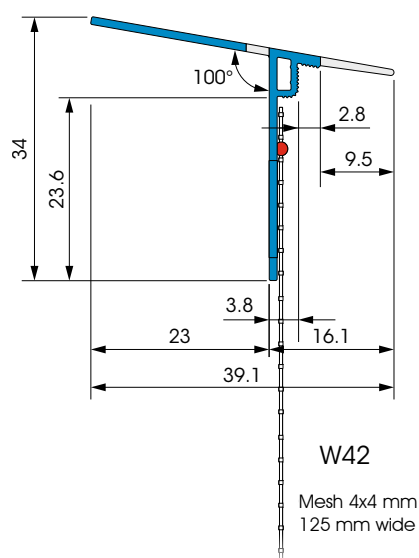
	FEBA-TEX-UNI STOP BEAD WITH MESH
Material	<ul style="list-style-type: none"> ■ Rigid PVC manufactured under DIN 16941 ■ Soft PVC – transparent
Seal	<ul style="list-style-type: none"> ■ By others
Mesh	<ul style="list-style-type: none"> ■ Min. 160 g/m² approved for compound heat insulation systems ■ MW 4x4 mm ■ Ultrasonic welded
Accessories	<ul style="list-style-type: none"> ■ Z14-0000 Plug connectors (1 bag)

Important information

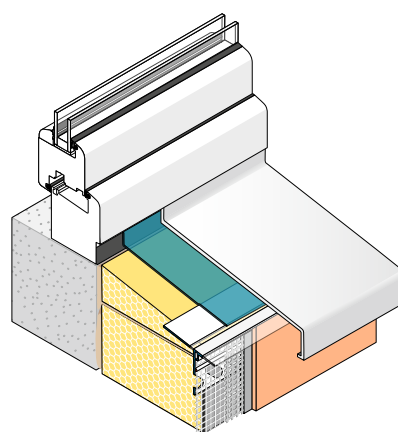
Storage	Always store profiles laid down in a dry place.
Other applications	Any applications not clearly described in the documents may be implemented only after consultation with the plaster or ETICS manufacturer.

For information on materials, areas of use, tests and correct application, please refer to our 'General Advice and Information'

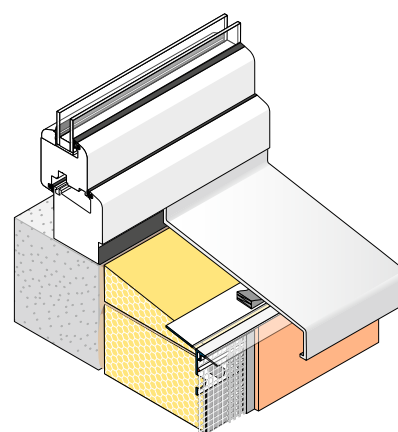
Details



Sectional drawing in mm



Application drawing of variant 1
Design 2 Sealing layer with sealing film



Application drawing of variant 2
Carrying out retrospective installation



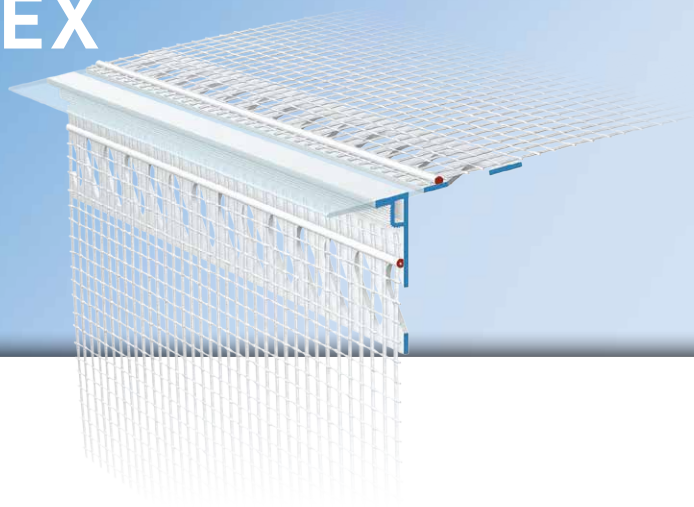
W43

**APU**[®]

PROFILES FOR COMPOUND HEAT INSULATION SYSTEMS

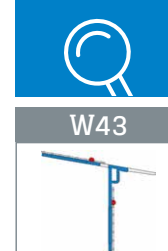
Stop bead with mesh

FEBA-DUO-TEX

With soft drip edge and
12.5 cm mesh

The **APU stop bead with mesh FEBA-DUO-TEX** is used in compound heat insulation systems. When a second sealant layer is being created, it forms a clean plaster termination under the window sill.

The profile has 2 plastic wings. As a result of the specified profile contour the required slope of at least 5 degrees is adhered to around the window sill. The top wing is for applying a suitable sealing compound. It is connected together with a soft connection and can thus be flexibly adapted to the appropriate angle of slope. There is a strip of mesh welded to both wings. Each bar has a fabric overhang on one side of 10cm in the lengthways direction. Using the plug connectors (Z14) provided, the profiles can be aligned together flush where they butt up with each other. The soft, transparent drip edge accurately guides water away.



Design

	ITEM NO.	LENGTH	PACKAGING UNIT	WEIGHT (per PU)
--	----------	--------	----------------	-----------------

FEBA-DUO-TEX stop bead with mesh

W43: With soft transparent drip edge and 2x 12.5 cm mesh	W43-2000	2.0 m	15 bars = 30 m	5.2 kg
--	-----------------	-------	----------------	--------

Features

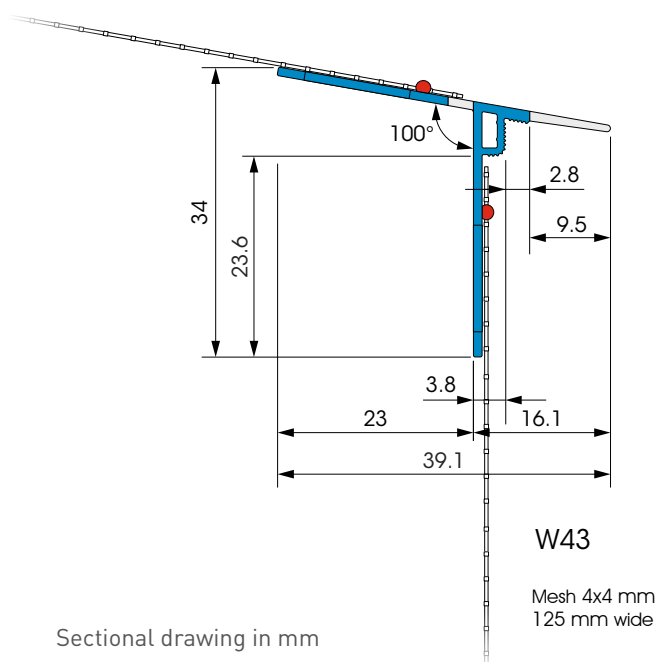
	FEBA-DUO-TEX STOP BEAD WITH MESH
Material	<ul style="list-style-type: none"> ■ Rigid PVC manufactured under DIN 16941 ■ Soft PVC – transparent
Seal	<ul style="list-style-type: none"> ■ By others
Mesh	<ul style="list-style-type: none"> ■ Min. 160 g/m² approved for compound heat insulation systems ■ MW 4x4 mm ■ Ultrasonic welded
Accessories	<ul style="list-style-type: none"> ■ Z14-0000 Plug connectors (1 bag)

Important information

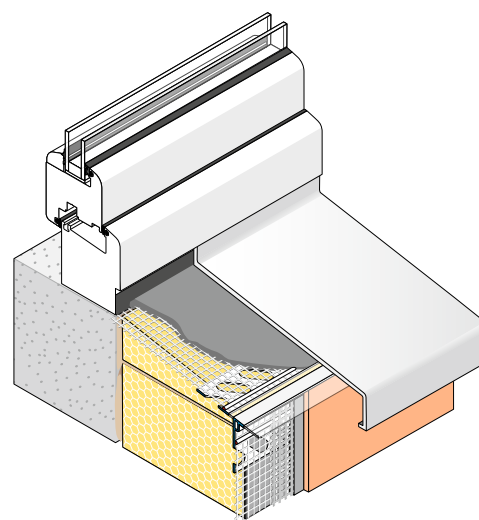
Storage	Always store profiles laid down in a dry place.
Other applications	Any applications not clearly described in the documents may be implemented only after consultation with the plaster or ETICS manufacturer.

For information on materials, areas of use, tests and correct application, please refer to our 'General Advice and Information'

Details



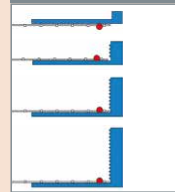
Sectional drawing in mm



Application drawing



W44



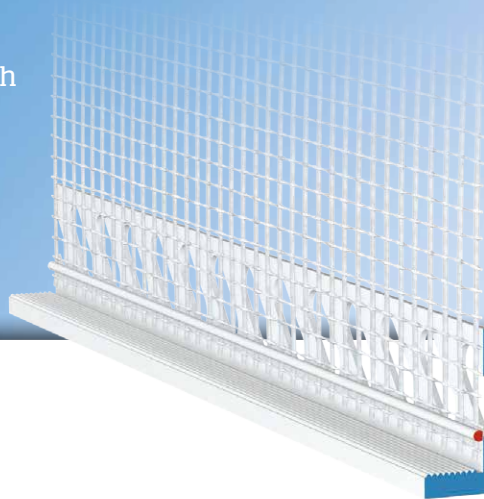
APU®

PROFILES FOR COMPOUND HEAT INSULATION SYSTEMS

Stop bead with mesh

DECO-TEX

With upstand and 12.5 cm mesh

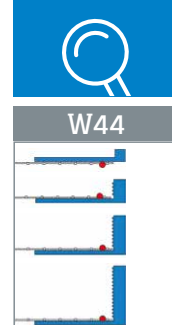


The **APU stop bead with mesh DECO-TEX** is used in compound heat insulation systems as a plaster termination or a separation from final renders.

The profile has a perforated plaster bar, welded to which is a mesh strip.

The raised edging for taking plaster is available in various versions. (3 mm, 6 mm, 10 mm and 15 mm).

What is created after completion of the plastering work is a clean termination of the plaster.



Design

	ITEM NO.	LENGTH	PACKAGING UNIT	WEIGHT (per PU)
--	----------	--------	----------------	-----------------

DECO-TEX stop bead with mesh

W44

With upstand and 12.5 cm mesh

3 mm	W44-2003	2.0 m	25 bars = 50 m	3.4 kg
6 mm	W44-2006	2.0 m	25 bars = 50 m	4.6 kg
10 mm	W44-2010	2.0 m	25 bars = 50 m	4.6 kg
15 mm	W44-2015	2.0 m	25 bars = 50 m	5.9 kg

Features

	DECO-TEX STOP BEAD WITH MESH
Material	<ul style="list-style-type: none"> ■ Rigid PVC manufactured under DIN-16941
Mesh	<ul style="list-style-type: none"> ■ Min. 160 g/m² approved for compound heat insulation systems ■ 12.5 cm wide – MW 4 x 4 mm ■ Ultrasonic welded

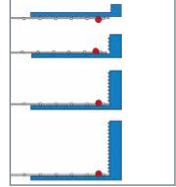
Important information

Storage	Always store profiles laid down in a dry place.
Other applications	Any applications not clearly described in the documents may be implemented only after consultation with the plaster or ETICS manufacturer.

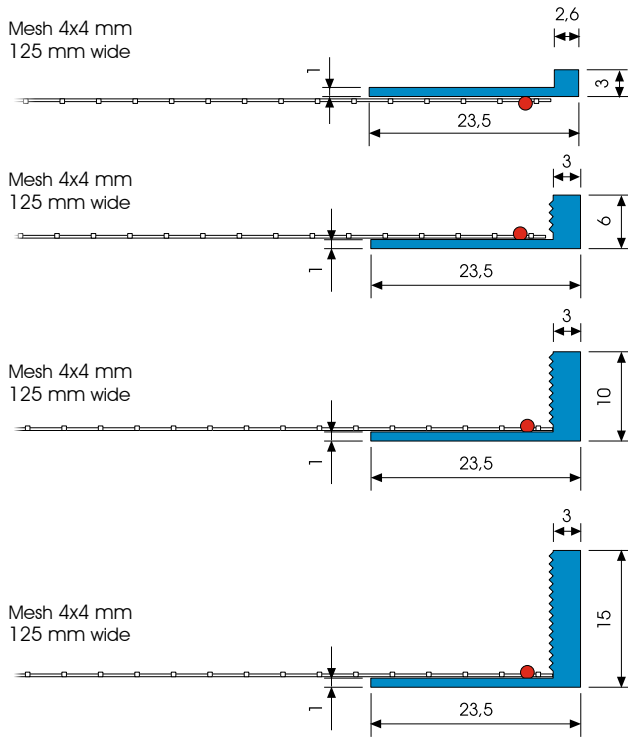
For information on materials, areas of use, tests and correct application, please refer to our 'General Advice and Information'



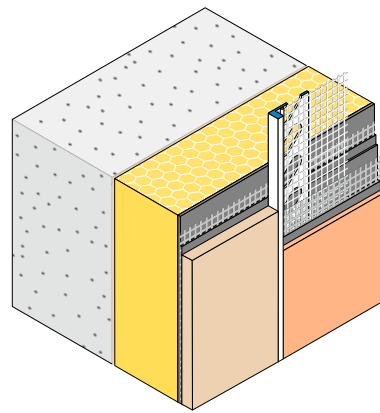
W44



Details



Sectional drawing in mm



Application drawing



W44-2

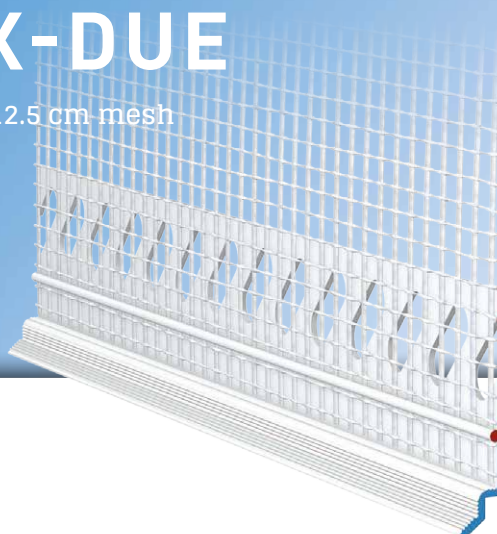
**APU**[®]

PROFILES FOR COMPOUND HEAT INSULATION SYSTEMS

Stop bead with mesh

DECO-TEX-DUE

With cranked drip edge and 12.5 cm mesh



The **APU stop bead with mesh DECO-TEX-DUE** is used in compound heat insulation systems as a bottom plaster termination or as a horizontal plaster separation.

The profile has a punched plaster bar and a cranked drip edge. There is a fabric fillet welded onto the profile. Each bar has a fabric overhang on one side of 10 cm in the lengthways direction. The first raised edge serves for the application of the reinforcement base plaster. The final render is applied and skimmed on the second skimming edge. The profile ensures with its contour that water flows in a targeted way.

What is created after completion of the plastering work is a clean termination of the plaster.



W44-2



Design

	ITEM NO.	LENGTH	PACKAGING UNIT	WEIGHT (per PU)
--	----------	--------	----------------	-----------------

DECO-TEX-DUE stop bead with mesh

W44-2	W44-2-2000	2.0 m	25 bars = 50 m	4.5 kg
-------	------------	-------	----------------	--------

With cranked drip edge and 12.5 cm mesh

Features

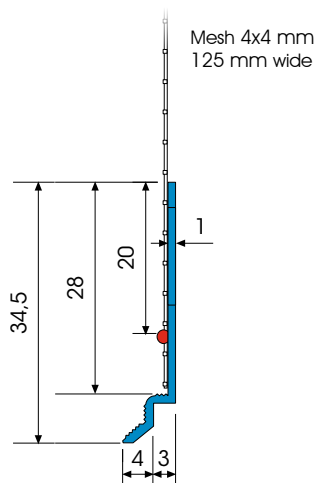
	DECO-TEX-DUE STOP BEAD WITH MESH
Material	<ul style="list-style-type: none"> ■ Rigid PVC manufactured under DIN-16941
Mesh	<ul style="list-style-type: none"> ■ Min. 160 g/m² approved for compound heat insulation systems ■ 12.5 cm wide – MW 4x4 mm ■ Ultrasonic welded

Important information

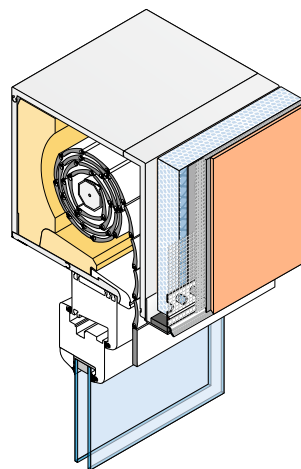
Storage	Always store profiles laid down in a dry place.
Other applications	Any applications not clearly described in the documents may be implemented only after consultation with the plaster or ETICS manufacturer.

For information on materials, areas of use, tests and correct application, please refer to our 'General Advice and Information'

Details



Sectional drawing in mm



Application drawing



W45-08

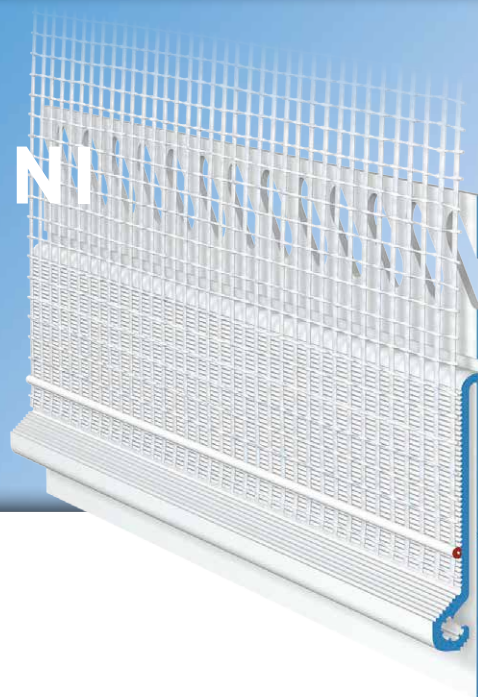
**APU**[®]

PROFILES FOR COMPOUND HEAT INSULATION SYSTEMS

Flashing bead

FIN-TEX MINI

With 12.5 cm mesh

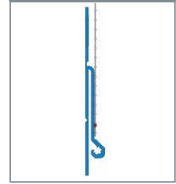


The **APU flashing bead FIN-TEX MINI** is used at junction points with metal plate in compound heat insulation systems (e.g., at junctions with the roof's edge) and as a result of its cavity design produces a flexible connection between plaster and metal. The profile is used for 8 mm plaster thickness and upon completion of the plastering work ensures that water is accurately guided away.

The profile has a welded fabric strip. Each bar has a fabric overhang on one side of 10cm in the lengthways direction. The included plug connectors (Z13) enable the profiles to be joined and fitted very precisely and flush. What is created after completion of the plastering work is a clean termination of the plaster.



W45-08



Design

	ITEM NO.	LENGTH	PACKAGING UNIT	WEIGHT (per PU)
--	----------	--------	----------------	-----------------

Flashing bead FIN-TEX MINI

W45-08

With 12.5 cm mesh

W45-2008

2.0 m

25 bars = 50 m

11.7 kg

Features

	FLASHING BEAD FIN-TEX MINI
Material	<ul style="list-style-type: none"> ■ Rigid PVC manufactured under DIN-16941
Mesh	<ul style="list-style-type: none"> ■ Min. 160 g/m² approved for compound heat insulation systems ■ 12.5 cm wide – MW 4 x 4 mm ■ Ultrasonic welded
Accessories	<ul style="list-style-type: none"> ■ Z13-0000 Plug connectors (1 bag)

Important information

Storage	Always store profiles laid down in a dry place.
Other applications	Any applications not clearly described in the documents may be implemented only after consultation with the plaster or ETICS manufacturer.
Movement	Stick profiles for movement absorption onto the sheet metal, providing a clearance of 10mm.
Flashing strip	Where the profiles are used above 3m length, a flashing strip must be used above the sheet metal.

For information on materials, areas of use, tests and correct application, please refer to our 'General Advice and Information'

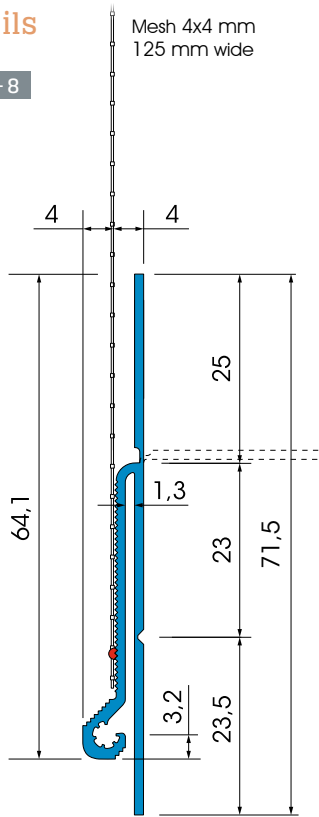


W45-08

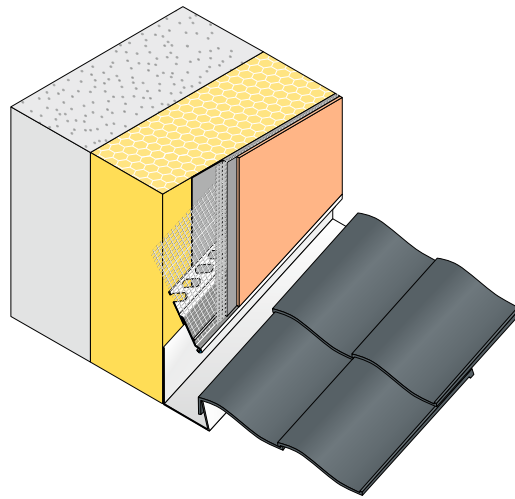


Details

W45-8



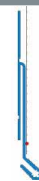
Sectional drawing in mm



Application drawing



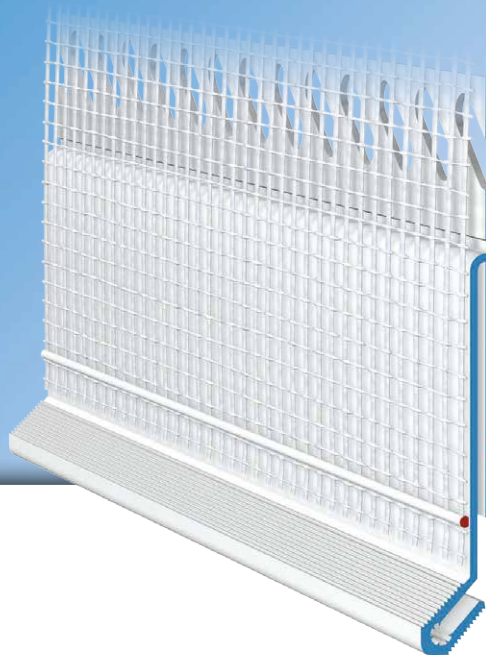
W45-11

**APU**[®]

PROFILES FOR COMPOUND HEAT INSULATION SYSTEMS

Flashing bead **FIN-TEX**

With 12.5 cm mesh

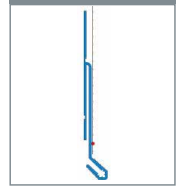


The **APU flashing bead FIN-TEX** is used at junction points with metal plate in compound heat insulation systems (e.g., at junctions with the roof's edge) and as a result of its cavity design produces a flexible connection between plaster and metal. The profile is used for 11 mm plaster thickness and upon completion of the plastering work ensures that water is accurately guided away.

The profile has a welded fabric strip. Each bar has a fabric overhang on one side of 10cm in the lengthways direction. The included plug connectors (Z13) enable the profiles to be joined and fitted very precisely and flush. What is created after completion of the plastering work is a clean termination of the plaster.



W45-11



Design

	ITEM NO.	LENGTH	PACKAGING UNIT	WEIGHT (per PU)
--	----------	--------	----------------	-----------------

FIN-TEX flashing bead

W45-11 With 12.5 cm mesh	W45-2011	2.0 m	25 bars = 50 m	11.2 kg
-----------------------------	----------	-------	----------------	---------

Features

	FIN-TEX FLASHING BEAD
Material	<ul style="list-style-type: none"> ■ Rigid PVC manufactured under DIN-16941
Mesh	<ul style="list-style-type: none"> ■ Min. 160 g/m² approved for compound heat insulation systems ■ 12.5 cm wide – MW 4 x 4 mm ■ Ultrasonic welded
Accessories	<ul style="list-style-type: none"> ■ Z13-0000 Plug connectors (1 bag)

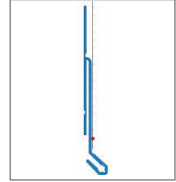
Important information

Storage	Always store profiles laid down in a dry place.
Other applications	Any applications not clearly described in the documents may be implemented only after consultation with the plaster or ETICS manufacturer.
Movement	Stick profiles for movement absorption onto the sheet metal, providing a clearance of 10mm.
Flashing strip	Where the profiles are used above 3m length, a flashing strip must be used above the sheet metal.

For information on materials, areas of use, tests and correct application, please refer to our 'General Advice and Information'

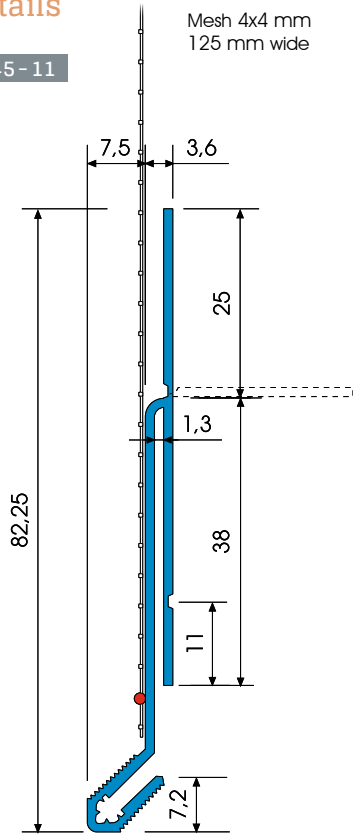


W45-11

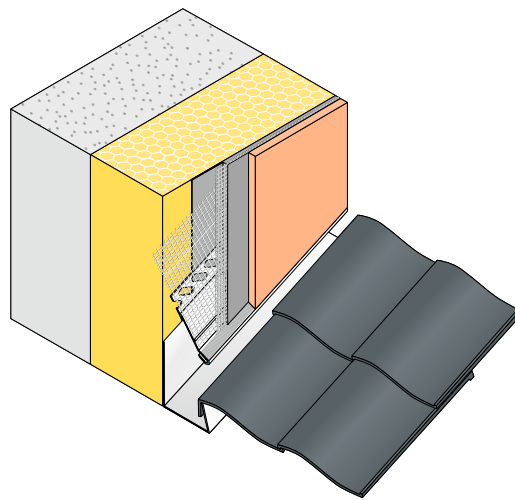


Details

W45-11



Sectional drawing in mm



Application drawing



W46

APU[®]

PROFILES FOR COMPOUND HEAT INSULATION SYSTEMS

Flashing bead **PUR-FIX**

With 12.5 cm mesh



The **APU flashing bead PUR-FIX** is used at junction points with metal plate in compound heat insulation systems (e.g., at junctions with the roof's edge) and as a result of its integrated PUR sealing strip produces a flexible connection between plaster and metal. When the plaster work is finished, the profile ensures that water is accurately guided away.

The profile comes with an expanding PUR sealing strip, which ensures a watertight, lasting seal without any sticking directly to the structural element. Self-adhesive PE tape is applied to fix the profile to the component. The profile has a welded fabric strip. Each bar has a fabric overhang on one side of 10cm in the lengthways direction. The included plug connectors (Z15) enable the profiles to be joined and fitted very precisely and flush. What is created after completion of the plastering work is a clean termination of the plaster.



W46



Design

	ITEM NO.	LENGTH	PACKAGING UNIT	WEIGHT (per PU)
--	----------	--------	----------------	-----------------

PUR-FIX flashing bead

W46 With 12.5 cm mesh	W46-2000	2.0 m	25 bars = 50 m	11 kg
--------------------------	----------	-------	----------------	-------

Features

	PUR-FIX FLASHING BEAD
Material	<ul style="list-style-type: none"> ■ Rigid PVC manufactured under DIN-16941
Protective flap	<ul style="list-style-type: none"> ■ Detachable with soft TPE connection and double-sided self-adhesive tape
Fixation	<ul style="list-style-type: none"> ■ PE foam tape 6 x 1 mm
Seal	<ul style="list-style-type: none"> ■ PUR sealing strip, 10 mm, type BG1 ■ Watertight (against driving rain) for joints of up to 4 mm
Mesh	<ul style="list-style-type: none"> ■ Min. 160 g/m² approved for compound heat insulation systems ■ 12.5 cm wide – MW 4 x 4 mm ■ Ultrasonic welded
Accessories	<ul style="list-style-type: none"> ■ Z15-0000 Plug connectors (1 bag)
Corner pieces	<ul style="list-style-type: none"> ■ Z46-A-1010 External corners (10 pieces) ■ Z46-I-1010 Internal corners (5 pieces)

Important information

Storage	Always store profiles laid down in a dry place.
Other applications	Any applications not clearly described in the documents may be implemented only after consultation with the plaster or ETICS manufacturer.
Flashing strip	Where the profiles are used above 3m length, a flashing strip must be used above the sheet metal.

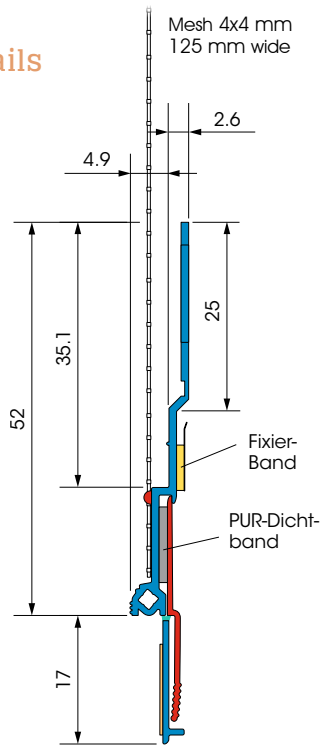
For information on materials, areas of use, tests and correct application, please refer to our 'General Advice and Information'



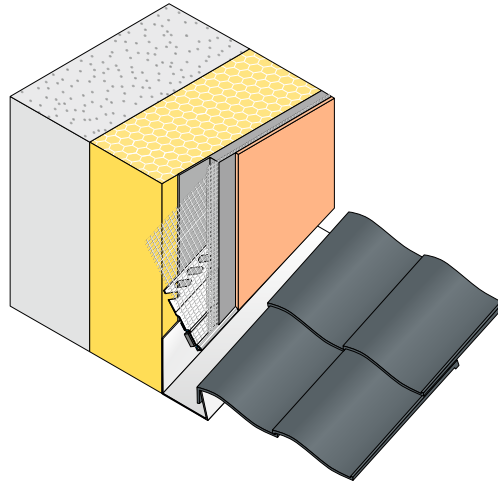
W46



Details



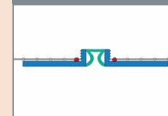
Sectional drawing in mm



Application drawing



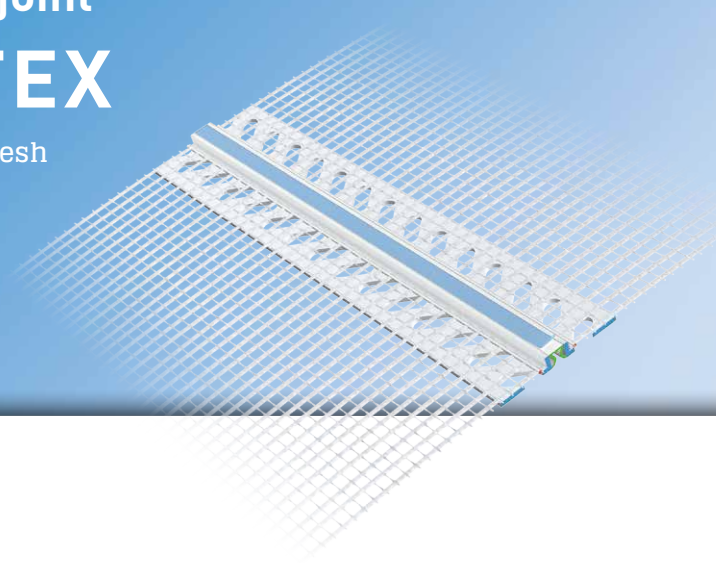
W50

**APU**[®]

PROFILES FOR COMPOUND HEAT INSULATION SYSTEMS

Movement joint **DUO-TEX**

With 2 x 12.5 cm mesh

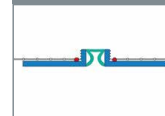


The **APU movement joint DUO-TEX** is used in compound heat insulation systems for forming vertical movement joints and in dry wall construction for compensating minor structural element movements.

The profile has two perforated plaster bars, welded to each of which is a mesh strip. Between the profiles there is a co-extruded, flexible TPE loop, which can absorb smaller structural element movements. It is covered with protective film to protect it during the plastering work. Thanks to the flexible lug, the profile can be used on flat surfaces and inner corners. The raised edge of the plaster take-up area is available in two different versions (3 mm and 6 mm plaster thickness). In the course of the work, the profile can additionally be fixed in the insulating material using the plug connectors provided (Z13). The area where pieces abut must be sealed off using a suitable sealant (e.g., PUR sealing strip, Butyl sealing strip, or similar). After the plastering work is completed and protective film is removed, a clean termination of the plaster is created.



W50



Design

	ITEM NO.	LENGTH	PACKAGING UNIT	WEIGHT (per PU)
--	----------	--------	----------------	-----------------

DUO-TEX expansion joint profile

W50

With 2 x 12.5 cm mesh

Plaster thickness 3 mm	W50-2003	2.0 m	25 bars = 50 m	7.1 kg
Plaster thickness 6 mm	W50-2006	2.0 m	25 bars = 50 m	8.1 kg

Features

	DUO-TEX EXPANSION JOINT PROFILE
Material	<ul style="list-style-type: none"> ■ Rigid PVC manufactured under DIN-16941 ■ TPE manufactured under DIN-16941
Mesh	<ul style="list-style-type: none"> ■ Min. 160 g/m² approved for compound heat insulation systems ■ 2 x 12.5 cm wide – MW 4x4 mm ■ Ultrasonic welded
Accessories	<ul style="list-style-type: none"> ■ Z13-0000 Plug connectors (1 bag)
Movement absorbed on surface area	<ul style="list-style-type: none"> ■ W50-2003 stretchable by c. 4 mm, compressible by c. 1-2 mm ■ W50-2006 stretchable by c. 10-15 mm, compressible by c. 1-2 mm
Movement absorbed in internal corner	<ul style="list-style-type: none"> ■ W50-2003 stretchable by c. 2 mm, compressible by c. 1 mm ■ W50-2206 stretchable by c. 5-6 mm, compressible by c. 1-2 mm

Important information

Storage	Always store profiles laid down in a dry place.
Other applications	Any applications not clearly described in the documents may be implemented only after consultation with the plaster or ETICS manufacturer.

For information on materials, areas of use, tests and correct application, please refer to our 'General Advice and Information'



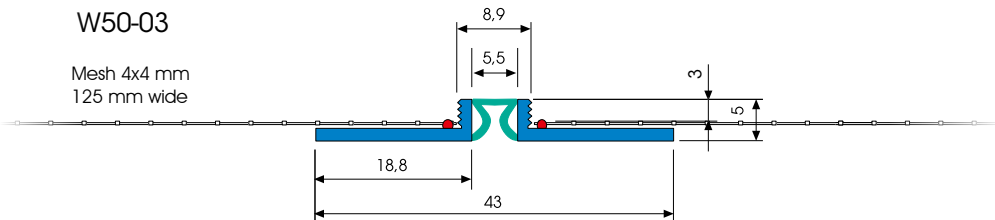
W50



Details

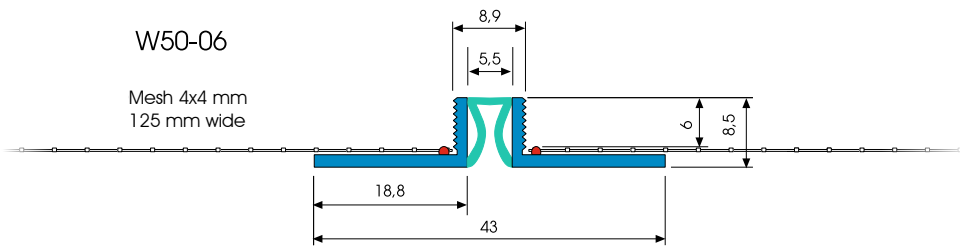
W50-03

Mesh 4x4 mm
125 mm wide

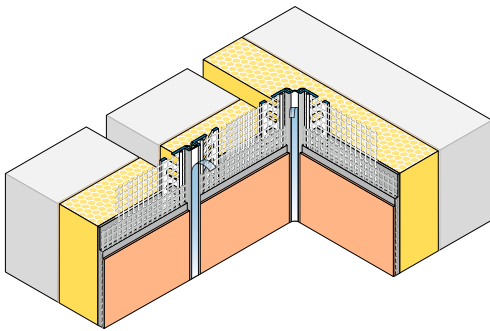


W50-06

Mesh 4x4 mm
125 mm wide



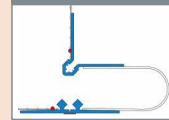
Sectional drawing in mm



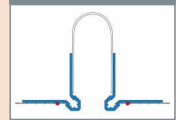
Application drawing



W51



W52



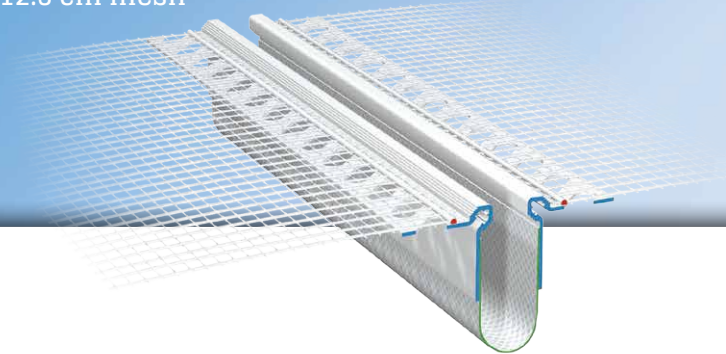
APU®

PROFILES FOR COMPOUND HEAT INSULATION SYSTEMS

Expansion joint profile

DUO-TEX

Corner and surface
for fine plaster with 2 x 12.5 cm mesh

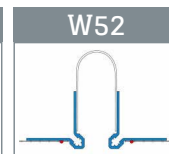
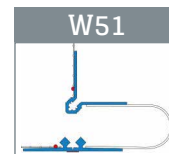


The **APU expansion joint profile DUO-TEX** is used in compound heat insulation systems at building joints. For the flush formation of a clean plaster edge, the profiles for surface areas (W52) and for inner corners (W51) are made.

The profile is made up of 2 plastic profiles, to each of which a strip of mesh is welded. Each bar has a fabric overhang on one side of 10cm in the lengthways direction. Between the profiles there is a mesh-reinforced connecting lug made of soft PVC for absorbing movements. On every bar the connecting lug has a projection of c. 5 cm, so that the profiles are worked on in the area where the pieces abut in overlapping fashion and it is ensured that water gets guided away. The profiles can be connected flush with each other using the plug connectors (Z13) provided.

What is created after completion of the plastering work is a clean termination of the plaster.

In order to visually cover up the expansion joints, the cover profiles (Z22-F for flat surfaces and Z22-E for corners) are used. These can be painted over using acrylic paints.



Design

	ITEM NO.	LENGTH	PACKAGING UNIT	WEIGHT (per PU)
--	----------	--------	----------------	-----------------

DUO-TEX expansion joint profile

For fine plaster with 2 x 12.5 cm mesh

W51				
■ For corners	W51-2000	2.0 m	25 bars = 50 m	15.2 kg
W52				
■ For surfaces	W52-2000	2.0 m	25 bars = 50 m	15.1 kg

Features

DUO-TEX EXPANSION JOINT PROFILE	
Material	■ Rigid PVC manufactured under DIN-16941
Features	<ul style="list-style-type: none"> ■ Flexible plastic lug made of soft PVC ■ 80 mm wide ■ White
Mesh	<ul style="list-style-type: none"> ■ Min. 160 g/m² approved for compound heat insulation systems ■ 2 x 12.5 cm wide – MW 4 x 4 mm ■ Ultrasonic welded
Accessories	■ Z13-0000 Plug connectors (1 bag)
Optional accessories	<ul style="list-style-type: none"> ■ Z22-F-2100 Expansion joint cover profile, surface ■ Z22-E-2100 Expansion joint cover profile, corner

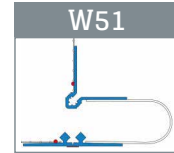
Important information

Storage	Always store profiles laid down in a dry place.
Other applications	Any applications not clearly described in the documents may be implemented only after consultation with the plaster or ETICS manufacturer.
Recommendation	We recommend sticking the expansion joint cover profile Z22 on one side using appropriate PU adhesive/sealant.

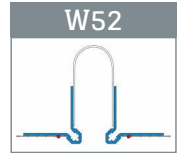
For information on materials, areas of use, tests and correct application, please refer to our 'General Advice and Information'



W51

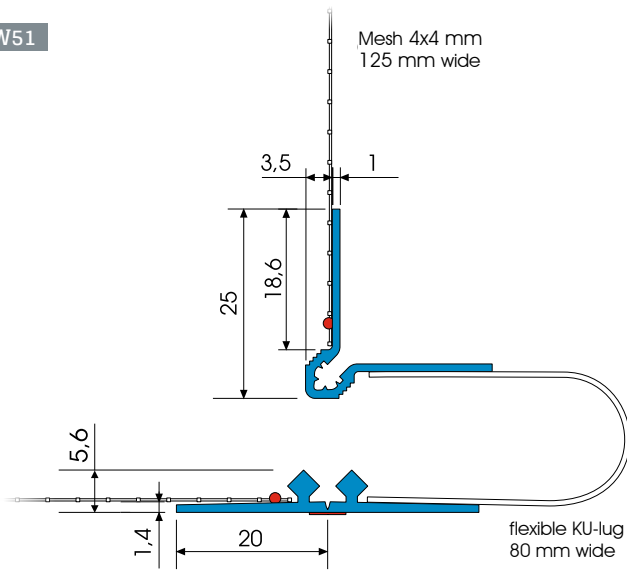


W52



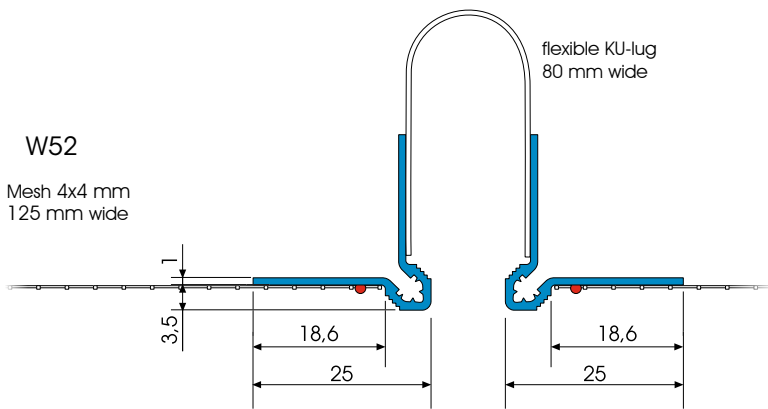
Details

W51

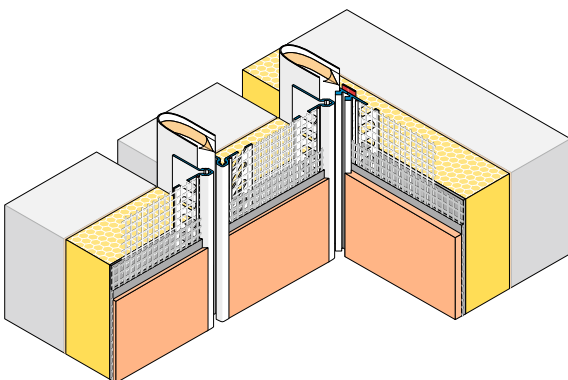


Sectional drawing in mm

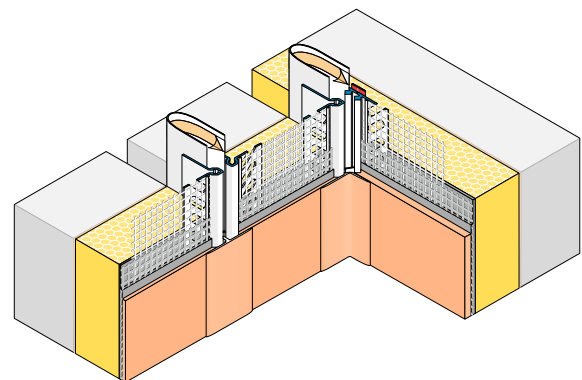
W52



Sectional drawing in mm



Application drawing without optional accessories



Application drawing with optional accessories (expansion joint cover profile Z22 for corners and flat surfaces)



W55



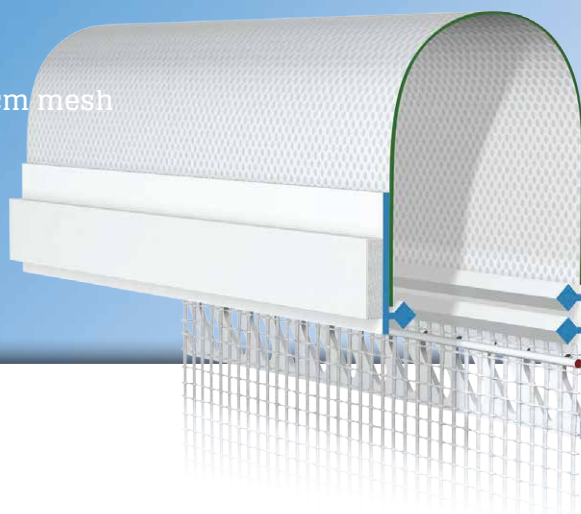
APU®

PROFILES FOR COMPOUND HEAT INSULATION SYSTEMS

Connecting profile

ATTIKA

With flexible lug and 12.5 cm mesh

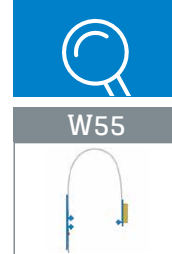


The **APU connecting profile ATTIKA** is used in compound heat insulation systems at junctions with the ends of roof parapets or edges. Using this, it is possible to establish a watertight transition from plaster to metal.

The profile is made up of 2 plastic profiles. The first profile has a punched plaster bar, welded on top of which is a mesh strip. This gets applied to the insulation with reinforcement base plaster. The second profile has a length of self-adhesive PE tape so that on the other side the profile can be stuck into the fold-back of the metal. Located between the profiles is the mesh-reinforced connecting lug made of soft PVC, which can absorb movements.

The impact points must be sealed off with suitable adhesive tape.

What is created after completion of the plastering work is a clean termination of the plaster.



Design

	ITEM NO.	LENGTH	PACKAGING UNIT	WEIGHT (per PU)
--	----------	--------	----------------	-----------------

ATTIKA connecting profile

W55 With flexible lug and 12.5 cm mesh	W55-2000	2.0 m	25 bars = 50 m	12.8 kg
---	----------	-------	----------------	---------

Features

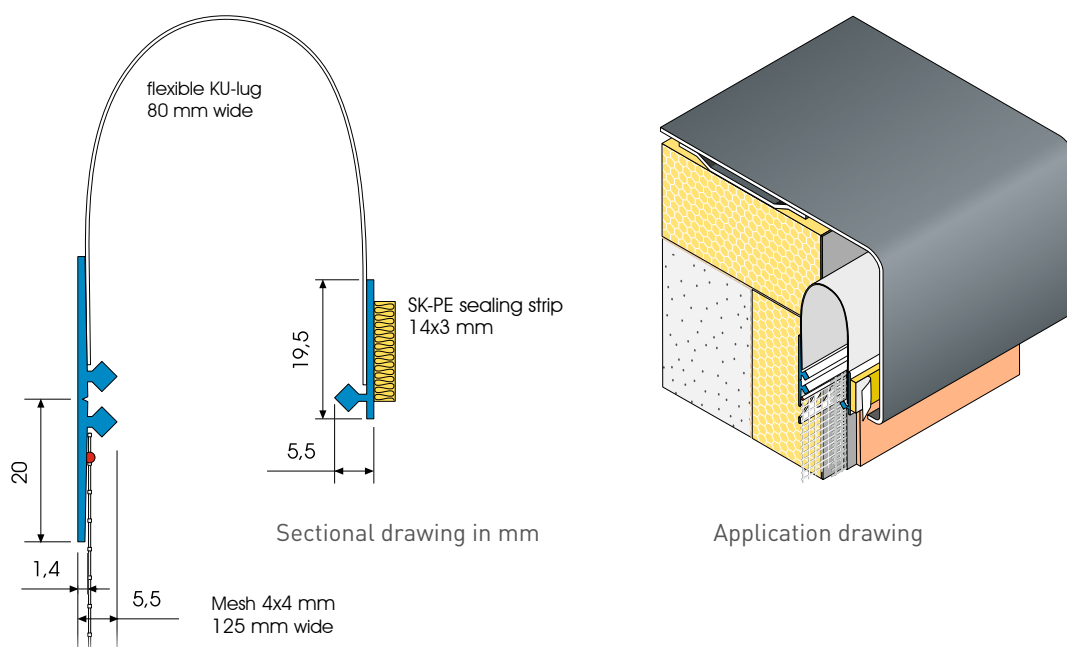
	ATTIKA CONNECTING PROFILE
Material	<ul style="list-style-type: none"> ■ Rigid PVC manufactured under DIN-16941
Features	<ul style="list-style-type: none"> ■ PE foam tape 14x3 mm
Seal	<ul style="list-style-type: none"> ■ Flexible plastic lug made of soft PVC ■ 120 mm wide ■ White
Mesh	<ul style="list-style-type: none"> ■ Min. 160 g/m² approved for compound heat insulation systems ■ 12.5 cm wide – MW 4x4 mm ■ Ultrasonic welded
Accessories	<ul style="list-style-type: none"> ■ 4 die-cut parts, templates for forming corners (inside right, inside left, outside right, outside left) ■ Z13-2000 Plug connectors (bag)

Important information

Storage	Always store profiles laid down in a dry place.
Other applications	Any applications not clearly described in the documents may be implemented only after consultation with the plaster or ETICS manufacturer.

For information on materials, areas of use, tests and correct application, please refer to our 'General Advice and Information'

Details





W56



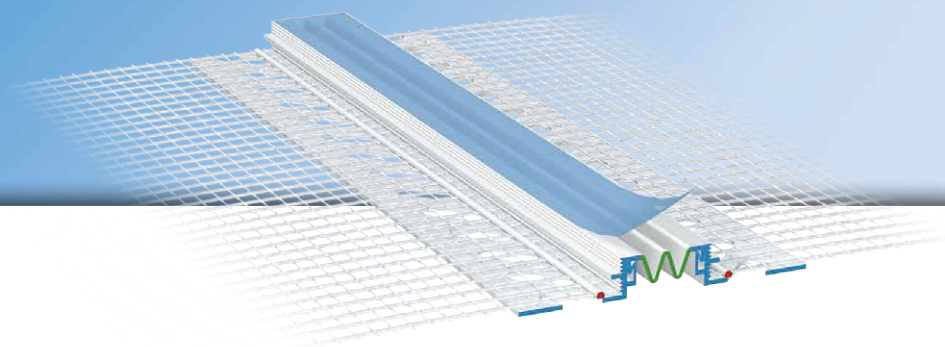
APU[®]

PROFILES FOR COMPOUND HEAT INSULATION SYSTEMS

Expansion joint profile

MOV I

With TPE expansion joint tape and 12.5 cm mesh



The **APU expansion joint profile MOV I** is used in compound heat insulation systems at building joints. For the flush formation of a clean plaster edge, the profile can be fitted both in flat surfaces and inner corners.

The profile is made up of 2 plastic profiles, to each of which a strip of mesh is welded. Between the two profiles there is a soft expansion joint tape made of flexible TPE, which can absorb the movements. Thanks to it being possible for the profiles to move, they can be fitted overlapping in areas where elements abut. The abutting joint must then have appropriate PUR sealing strip fitted behind it and thus be sealed off. After completion of the plastering work and removal of the protective film, a clean plaster division is produced.



W56



Design

	ITEM NO.	LENGTH	PACKAGING UNIT	WEIGHT (per PU)
--	----------	--------	----------------	-----------------

MOVI expansion joint profile

W56

With TPE expansion joint tape and 12.5 cm mesh **W56-2000** 2.0 m 25 bars = 50 m 10.0 kg

Features

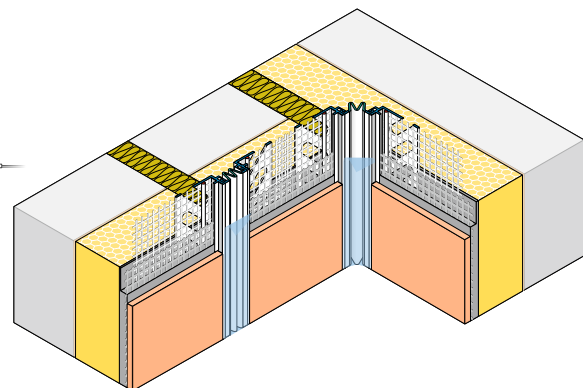
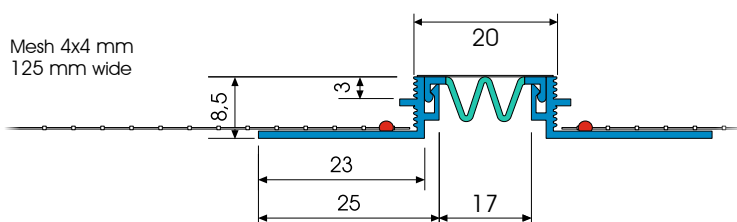
	MOVI EXPANSION JOINT PROFILE
Material	<ul style="list-style-type: none"> ■ Rigid PVC manufactured under DIN-16941 ■ TPE manufactured under DIN-16941
Mesh	<ul style="list-style-type: none"> ■ Min. 160 g/m² approved for compound heat insulation systems ■ 2 x 12.5 cm wide – MW 4x4 mm ■ Ultrasonic welded
Movement absorbed on surface area	<ul style="list-style-type: none"> ■ c. 15 mm (stretchable by c. 10 mm, compressible by c. 5 mm)
Movement absorbed in internal corner	<ul style="list-style-type: none"> ■ c. 15 mm (stretchable by c. 10 mm, compressible by c. 5 mm)

Important information

Storage	Always store profiles laid down in a dry place.
Other applications	Any applications not clearly described in the documents may be implemented only after consultation with the plaster or ETICS manufacturer.
Abutting joint seal	The abutting joints must in addition have appropriate PUR sealing strip fitted behind them and be sealed off.

For information on materials, areas of use, tests and correct application, please refer to our 'General Advice and Information'

Details

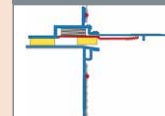


Sectional drawing in mm

Application drawing



W58



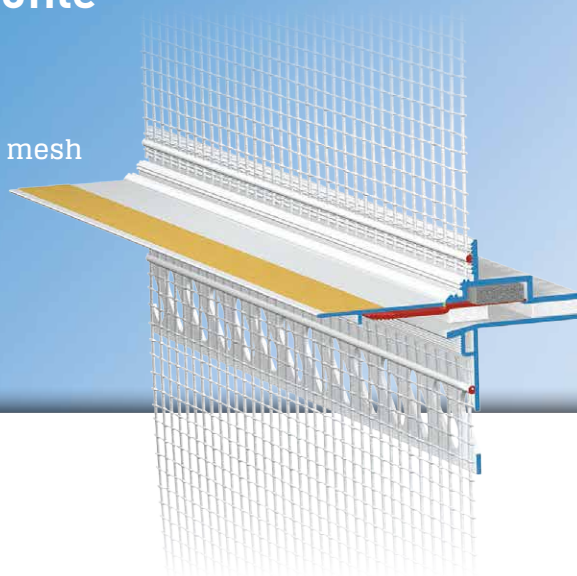
APU®

PROFILES FOR COMPOUND HEAT INSULATION SYSTEMS

Slide bearing profile

PUR-FIX

With PUR tape and 12.5 cm mesh



The **APU slide bearing profile PUR-FIX** is used in compound heat insulation systems at building joints with different building materials (e.g., where extra floors are added to buildings made of wood or solid structures).

Thanks to the non-linked solution, movements (pressure up to 4 mm and shear up to 2 mm) can be absorbed.

The profile is made up of 2 plastic profiles, to each of which a strip of mesh is welded. Each bar has a fabric overhang on one side of 10cm in the lengthways direction. The profile comes with pre-compressed PUR sealing strip, which is triggered by removing the red activation tab. It can, as a result, absorb movements and creates a watertight seal. The PUR sealing strip is impacted lengthways in the profile and has an overhang for sealing the joint. The profiles can be connected in flush alignment using the plug connectors (Z14) and brackets (Z58-V) provided. The pre-fabricated corner pieces (Z58-A for outer corners and Z58-I for inner corners) should be used for forming corners. These must be ordered separately. What is created after completion of the plastering work is a clean termination of the plaster.



Design

	ITEM NO.	LENGTH	PACKAGING UNIT	WEIGHT (per PU)
--	----------	--------	----------------	-----------------

PUR-FIX slide bearing profile

W58	W58-2000	2.0 m	5 bars = 10 m	4.7 kg
-----	----------	-------	---------------	--------

Features

	PUR-FIX SLIDE BEARING PROFILE
Material	<ul style="list-style-type: none"> ■ Rigid PVC manufactured under DIN-16941
Protective flap	<ul style="list-style-type: none"> ■ Detachable with soft TPE connection and double-sided adhesive tape
Features	<ul style="list-style-type: none"> ■ PE foam tape 10x3 mm ■ PE foam tape 8x3 mm
Seal	<ul style="list-style-type: none"> ■ PUR sealing strip, 10 mm, type BG1 ■ Watertight for joints of 3-9mm
Mesh	<ul style="list-style-type: none"> ■ Min. 160 g/m² approved for compound heat insulation systems ■ 2 x 12.5 cm wide – MW 4 x 4 mm ■ Ultrasonic welded
Accessories	<ul style="list-style-type: none"> ■ Z14-0000 Plug connectors (1 bag) ■ Z58-V-0000 Bracket (1 bag)
Optional accessories	<ul style="list-style-type: none"> ■ Z58-A-2020 Slide bearing profile outer corner (5 per box) ■ Z58-I-2020 Slide bearing profile inner corner (5 per box)

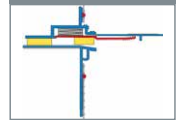
Important information

Storage	Always store profiles laid down in a dry place.
Other applications	Any applications not clearly described in the documents may be implemented only after consultation with the plaster or ETICS manufacturer.
Movement	For relatively big movements, different profiles must be used. The planner concerned should be asked about the movements to be expected.

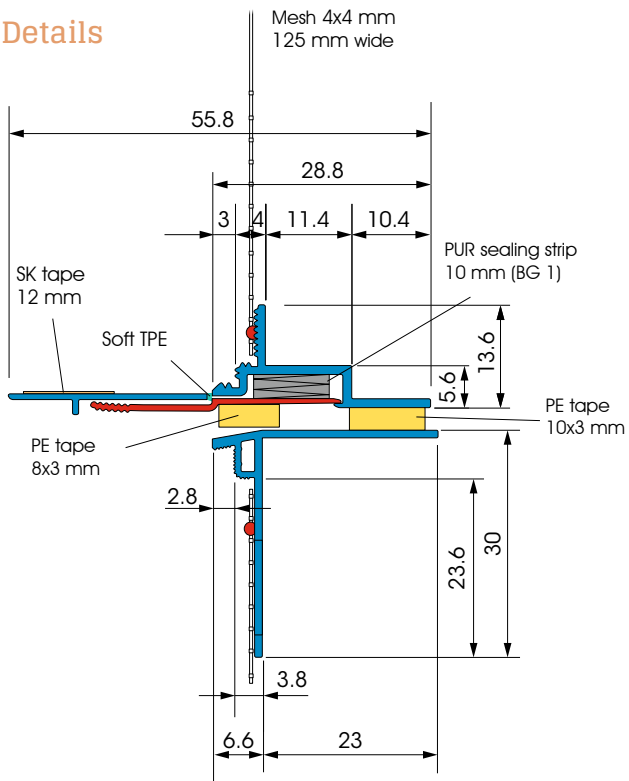
For information on materials, areas of use, tests and correct application, please refer to our 'General Advice and Information'



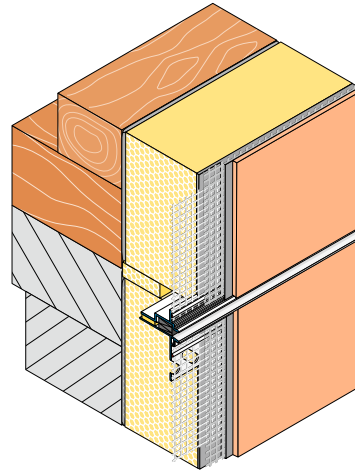
W58



Details



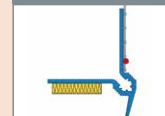
Sectional drawing in mm



Application drawing



W60 - 0

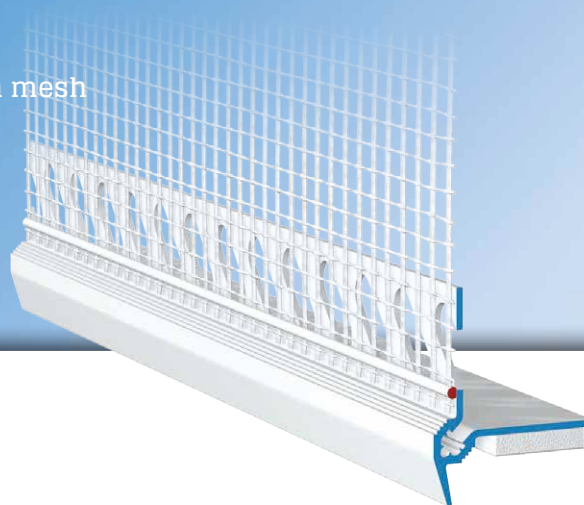
**APU**[®]

PROFILES FOR COMPOUND HEAT INSULATION SYSTEMS

Stick-on profile

ZERO

With drip edge and 12.5 cm mesh



The **APU stick-on profile ZERO** is used horizontally in compound heat insulation systems e.g., for plaster joints up against shutter boxes.

The profile contour with visible drip edge provides a reliable solution in respect of downward guidance of water.

The profile has a punched plaster bar. Welded onto the plaster limb is a fabric strip. Each bar has a fabric overhang on one side of 10cm in the lengthways direction. The lower limb is fitted with PE foam tape for sticking the profile to the respective surface. The included plug connectors (Z13) and inner and outer corners (Z18-0) enable the profiles to be joined and fitted very precisely.

What is created after completion of the plastering work is a clean termination of the plaster.



Design

	ITEM NO.	LENGTH	PACKAGING UNIT	WEIGHT (per PU)
--	----------	--------	----------------	-----------------

ZERO stick-on profile

W60-0	W60-0-2100	2.1 m	10 bars = 21 m	3.4 kg
-------	------------	-------	----------------	--------

With drip edge and 12.5 cm mesh

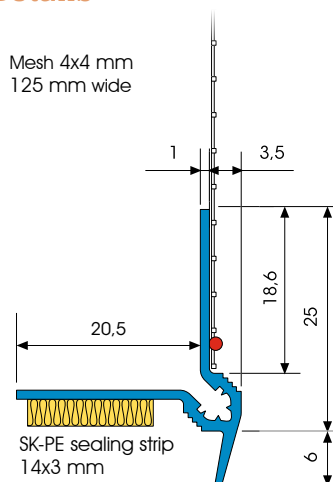
Features

	ZERO STICK-ON PROFILE
Material	<ul style="list-style-type: none"> ■ Rigid PVC manufactured under DIN-16941
Features	<ul style="list-style-type: none"> ■ PE foam tape 14x3 mm
Mesh	<ul style="list-style-type: none"> ■ Min. 160 g/m² approved for compound heat insulation systems ■ 12.5 cm wide – MW 4x4 mm ■ Ultrasonic welded
Accessories	<ul style="list-style-type: none"> ■ Z13-0000 Plug connectors (1 bag) ■ Z18-0-1010i Internal corners (2 pieces) ■ Z18-0-1010a External corners (4 pieces)

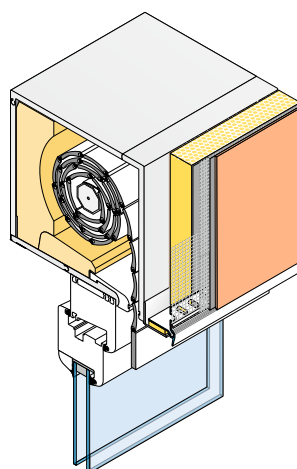
Important information

Storage	Always store profiles laid down in a dry place.
Other applications	Any applications not clearly described in the documents may be implemented only after consultation with the plaster or ETICS manufacturer.

Details



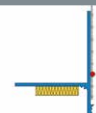
Sectional drawing in mm



Application drawing



W60 - 1



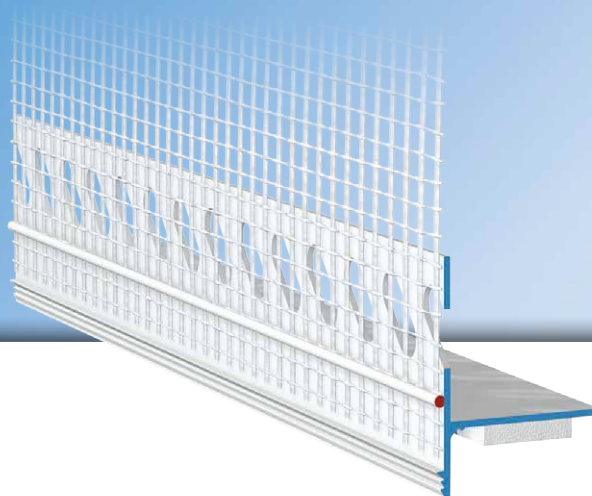
APU®

PROFILES FOR COMPOUND HEAT INSULATION SYSTEMS

Stick-on profile

UNO

With straight drip edge
and 12.5 cm mesh



The **APU stick-on profile UNO** is used horizontally in compound heat insulation systems e.g., for plaster joints up against shutter boxes.

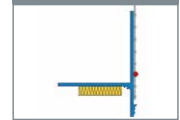
The straight profile contour provides a reliable solution in respect of downward guidance of water.

The profile has a punched plaster bar. Welded onto the plaster limb is a fabric strip. Each bar has a fabric overhang on one side of 10cm in the lengthways direction. The lower limb is fitted with PE foam tape for sticking the profile to the respective surface.

What is created after completion of the plastering work is a clean termination of the plaster.



W60 - 1



Design

	ITEM NO.	LENGTH	PACKAGING UNIT	WEIGHT (per PU)
--	----------	--------	----------------	-----------------

UNO stick-on profile

W60 - 1				
With drip edge and 12.5 cm mesh	W60-1-2100	2.1 m	10 bars = 21 m	3.4 kg

Features

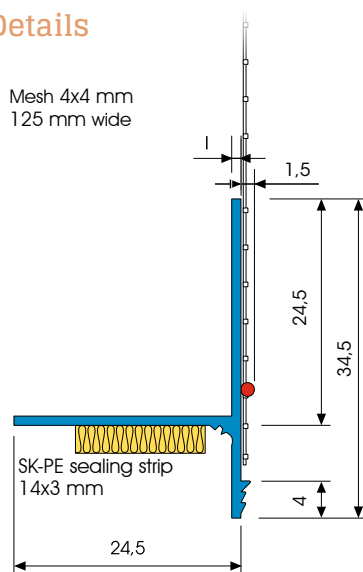
	UNO STICK-ON PROFILE
Material	<ul style="list-style-type: none"> ■ Rigid PVC manufactured under DIN-16941
Features	<ul style="list-style-type: none"> ■ PE foam tape 14x3 mm
Mesh	<ul style="list-style-type: none"> ■ Min. 160 g/m² approved for compound heat insulation systems ■ 12.5 cm wide – MW 4x4 mm ■ Ultrasonic welded

Important information

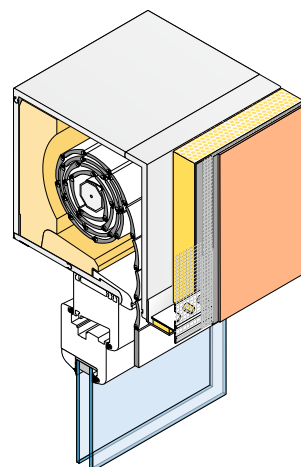
Storage	Always store profiles laid down in a dry place.
Other applications	Any applications not clearly described in the documents may be implemented only after consultation with the plaster or ETICS manufacturer.

For information on materials, areas of use, tests and correct application, please refer to our 'General Advice and Information'

Details



Sectional drawing in mm



Application drawing



W60 - 2



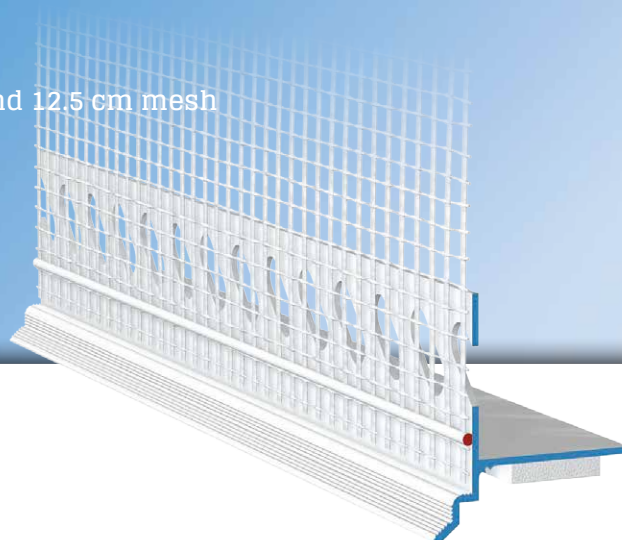
APU[®]

PROFILES FOR COMPOUND HEAT INSULATION SYSTEMS

Stick-on profile

DUE

With cranked drip edge and 12.5 cm mesh



The **APU stick-on profile DUE** is used horizontally in compound heat insulation systems e.g., for plaster joints up against shutter boxes.

The cranked profile contour provides a reliable solution in respect of downward guidance of water.

The profile has a punched plaster bar. Welded onto the plaster limb is a fabric strip. Each bar has a fabric overhang on one side of 10cm in the lengthways direction. The lower limb is fitted with PE foam tape for sticking the profile to the respective surface.

What is created after completion of the plastering work is a clean termination of the plaster.



Design

	ITEM NO.	LENGTH	PACKAGING UNIT	WEIGHT (per PU)
--	----------	--------	----------------	-----------------

DUE stick-on profile

W60-2	W60-2-2100	2.1 m	10 bars = 21 m	3.4 kg
-------	------------	-------	----------------	--------

Features

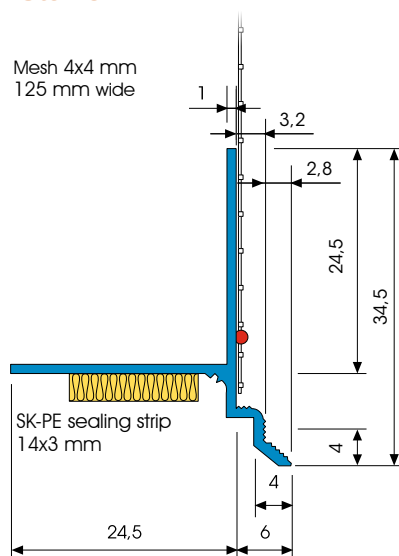
	DUE STICK-ON PROFILE
Material	<ul style="list-style-type: none"> ■ Rigid PVC manufactured under DIN-16941
Features	<ul style="list-style-type: none"> ■ PE foam tape 14x3 mm
Mesh	<ul style="list-style-type: none"> ■ Min. 160 g/m² approved for compound heat insulation systems ■ 12.5 cm wide – MW 4x4 mm ■ Ultrasonic welded

Important information

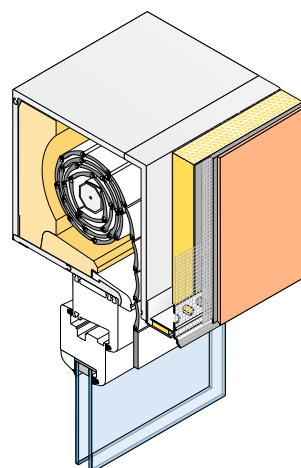
Storage	Always store profiles laid down in a dry place.
Other applications	Any applications not clearly described in the documents may be implemented only after consultation with the plaster or ETICS manufacturer.

For information on materials, areas of use, tests and correct application, please refer to our 'General Advice and Information'

Details



Sectional drawing in mm



Application drawing



W61-0



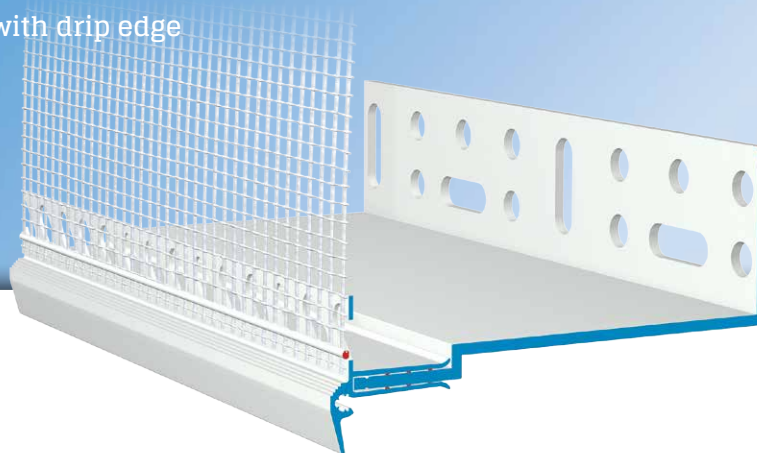
APU®

PROFILES FOR COMPOUND HEAT INSULATION SYSTEMS

Base rail

SOLI-TEX-ZERO

Incl. clip-on profile, with drip edge



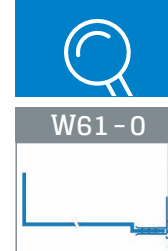
The **APU base rail SOLI-TEX-ZERO** is used in compound heat insulation systems as the bottom termination of the wall insulation.

The base rail is available in different projection lengths (50, 60, 80, 100, 120, 140 and 160 mm insulating material thickness). Where the insulating material is relatively thick, the extension rail can be used to extend the SOLI-TEX (Z63) base rail by 40 mm to 240 mm. The clip-on profile ZERO forms an exact plaster edge with drip nose.

The base rail SOLI-TEX-ZERO consists of the base rail SOLI-TEX (S61) and the clip-on profile ZERO (W62-0). The clip-on profile is clipped onto the base rail. The profile's contour forms a drip nose, ensuring that water is accurately guided away. There is a fabric window reveal bead welded onto the profile. Each bar has a fabric overhang on one side of 10cm in the lengthways direction.

The included plug connectors (Z13), butt connectors (Z61) and inner and outer corners (Z18-0) enable the profiles to be joined and fitted very precisely.

What is created after completion of the plastering work is a clean termination of the plaster.



Design

	ITEM NO.	LENGTH	PACKAGING UNIT	WEIGHT (per PU)
--	----------	--------	----------------	-----------------

SOLI-TEX-ZERO base rail

W61-0

Incl. W62-0 clip-on profile, with drip edge

50 mm	W61-0-2005	2.0 m	10 bars = 20 m	11.9 kg
60 mm	W61-0-2006	2.0 m	10 bars = 20 m	13.3 kg
80 mm	W61-0-2008	2.0 m	10 bars = 20 m	14.4 kg
100 mm	W61-0-2010	2.0 m	10 bars = 20 m	16.0 kg
120 mm	W61-0-2012	2.0 m	10 bars = 20 m	16.7 kg
140 mm	W61-0-2014	2.0 m	10 bars = 20 m	17.5 kg
160 mm	W61-0-2016	2.0 m	10 bars = 20 m	20.0 kg

Features

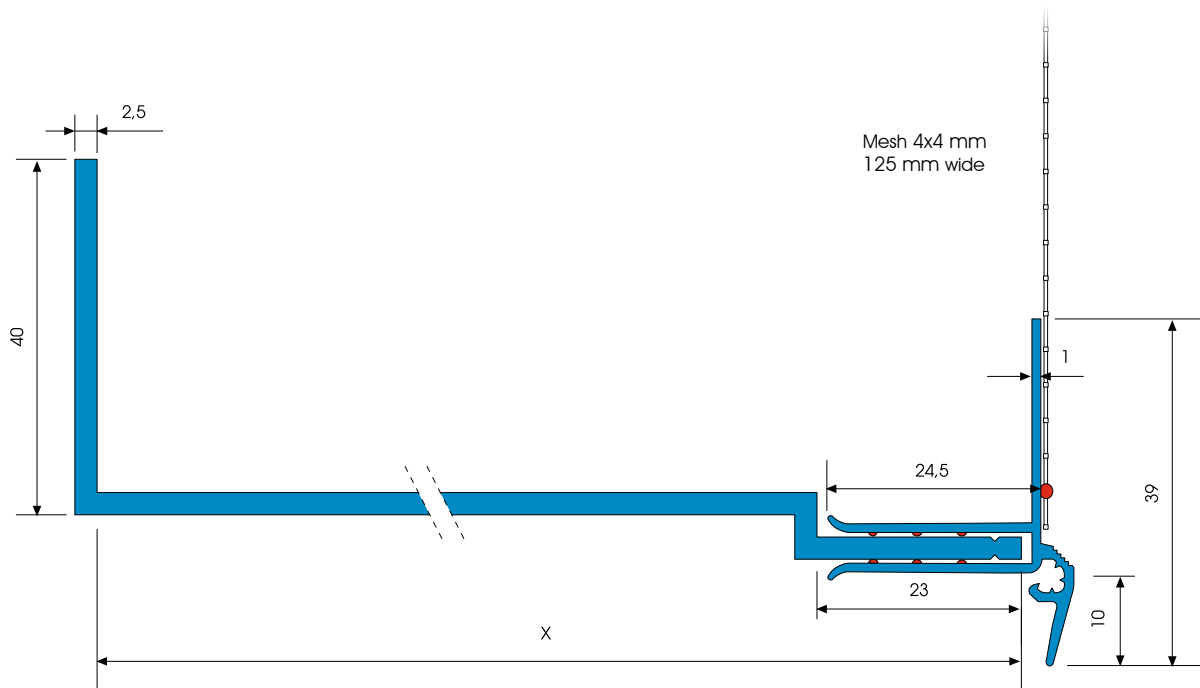
	SOLI-TEX-ZERO BASE RAIL
Material	<ul style="list-style-type: none"> ■ Rigid PVC manufactured under DIN 16941
Features	<ul style="list-style-type: none"> ■ S61-20.. SOLI-TEX base rail 2.0m ■ W62-0-2100 SOLI-TEX-ZERO clip-on profile 2.1 m
Mesh	<ul style="list-style-type: none"> ■ Min. 160 g/m² approved for compound heat insulation systems ■ 12.5 cm wide – MW 4x4 mm ■ Ultrasonic welded
Accessories	<ul style="list-style-type: none"> ■ Z61-0000 Butt connector (1-2 bars depending on projection) ■ Z13-0000 Plug connectors (1 bag) ■ Z18-0-1010i Internal corners (1 piece) ■ Z18-0-1010a External corners (2 pieces)
Optional accessories	<ul style="list-style-type: none"> ■ Z63-2004 APU SOLI-TEX extension, rail 40 mm
Inspections	<ul style="list-style-type: none"> ■ Munich Research Institute for Heat Insulation Heat Transmission Coefficient Test Report

Important information

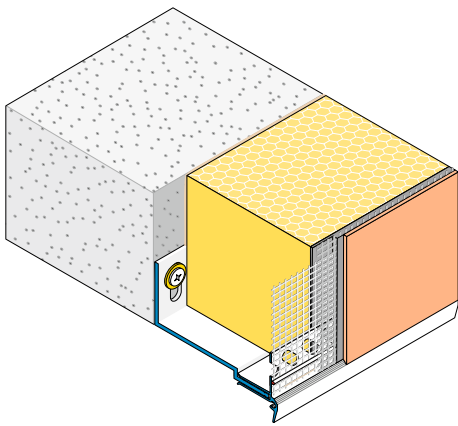
Storage	Always store profiles laid down in a dry place.
Other applications	Any applications not clearly described in the documents may be implemented only after consultation with the plaster or ETICS manufacturer.

For information on materials, areas of use, tests and correct application, please refer to our 'General Advice and Information'

Details



Sectional drawing in mm



Application drawing



W61 - 1



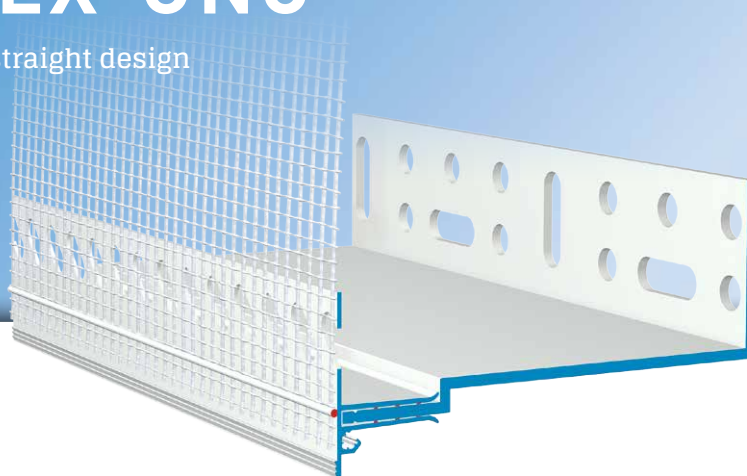
APU®

PROFILES FOR COMPOUND HEAT INSULATION SYSTEMS

Base rail

SOLI-TEX-UNO

Incl. clip-on profile, straight design



The **APU base rail SOLI-TEX-UNO** is used in compound heat insulation systems as the bottom termination of the wall insulation.

The base rail is available in a variety of projection lengths. (Insulation material thickness 50, 60, 80, 100, 120, 140 and 160 mm). Where the insulating material is relatively thick, the extension rail can be used to extend the SOLI-TEX (Z63) base rail by 40 mm to 240 mm. The clip-on profile UNO forms an exact, straight plaster edge.

The base rail SOLI-TEX-UNO consists of the base rail SOLI-TEX (S61) and the clip-on profile UNO (W62 - 1). The clip-on profile is clipped onto the base rail. The profile's straight contour ensures that water is accurately led away. There is a fabric window reveal bead welded onto the profile. Each bar has a fabric overhang on one side of 10cm in the lengthways direction.

The included plug connectors (Z13), butt connectors (Z61) and inner and outer corners (Z18-1) enable the profiles to be joined and fitted very precisely.

What is created after completion of the plastering work is a clean termination of the plaster.



Design

	ITEM NO.	LENGTH	PACKAGING UNIT	WEIGHT (per PU)
--	----------	--------	----------------	-----------------

SOLI-TEX-UNO base rail

W61-1

Incl. W62-1 clip-on profile, with straight drip edge

50 mm	W61-1-2005	2.0 m	10 bars = 20 m	11.8 kg
60 mm	W61-1-2006	2.0 m	10 bars = 20 m	13.3 kg
80 mm	W61-1-2008	2.0 m	10 bars = 20 m	14.4 kg
100 mm	W61-1-2010	2.0 m	10 bars = 20 m	16.0 kg
120 mm	W61-1-2012	2.0 m	10 bars = 20 m	16.7 kg
140 mm	W61-1-2014	2.0 m	10 bars = 20 m	17.5 kg
160 mm	W61-1-2016	2.0 m	10 bars = 20 m	20.0 kg

Features

	SOLI-TEX-UNO BASE RAIL
Material	<ul style="list-style-type: none"> ■ Rigid PVC manufactured under DIN 16941
Features	<ul style="list-style-type: none"> ■ S61-20.. SOLI-TEX base rail 2.0m ■ W62-1-2100 SOLI-TEX-UNO clip-on profile 2.1 m
Mesh	<ul style="list-style-type: none"> ■ Min. 160 g/m² approved for compound heat insulation systems ■ 12.5 cm wide – MW 4x4 mm ■ Ultrasonic welded
Accessories	<ul style="list-style-type: none"> ■ Z61-0000 Butt connectors (1-2 bars depending on projection) ■ Z13-0000 Plug connectors (1 bag) ■ Z18-1-1010i Internal corners (1 piece) ■ Z18-1-1010a External corners (2 pieces)
Optional accessories	<ul style="list-style-type: none"> ■ Z63-2004 SOLI-TEX Extension rail, 40 mm
Inspections	<ul style="list-style-type: none"> ■ Munich Research Institute for Heat Insulation Heat Transmission Coefficient Test Report

Important information

Storage	Always store profiles laid down in a dry place.
Other applications	Any applications not clearly described in the documents may be implemented only after consultation with the plaster or ETICS manufacturer.

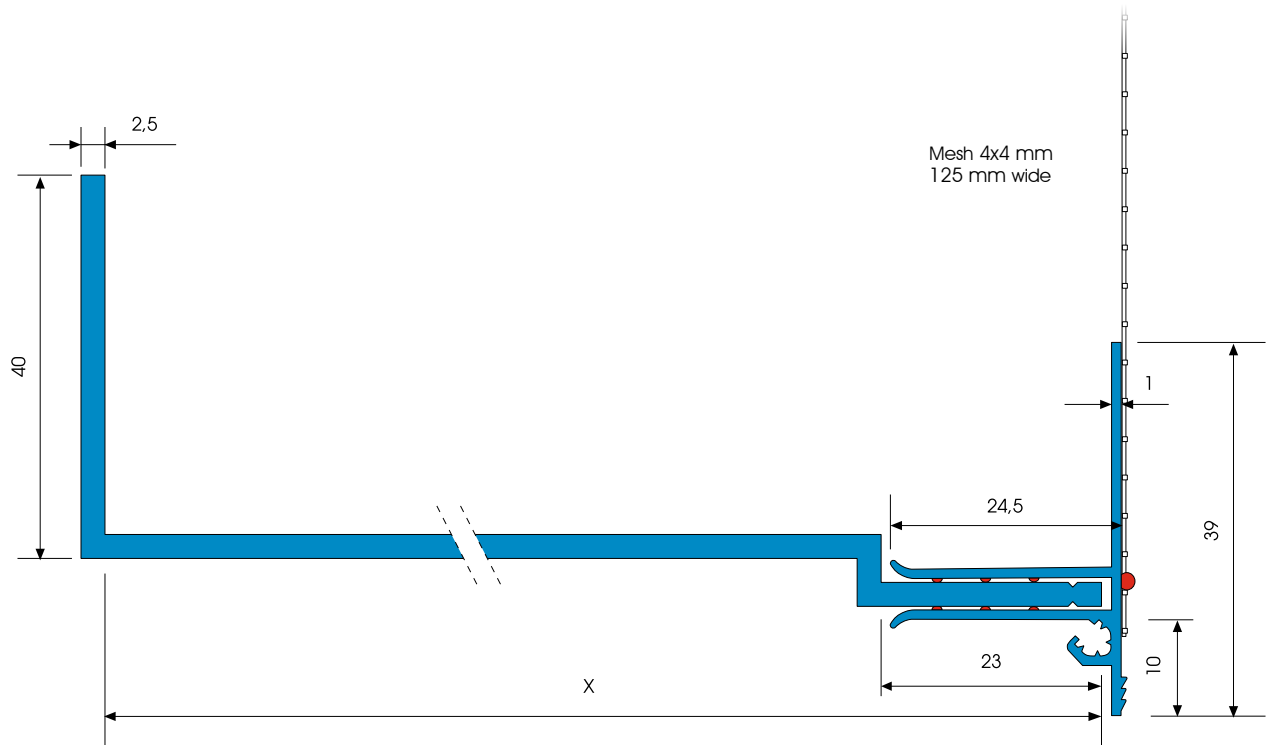
For information on materials, areas of use, tests and correct application, please refer to our 'General Advice and Information'



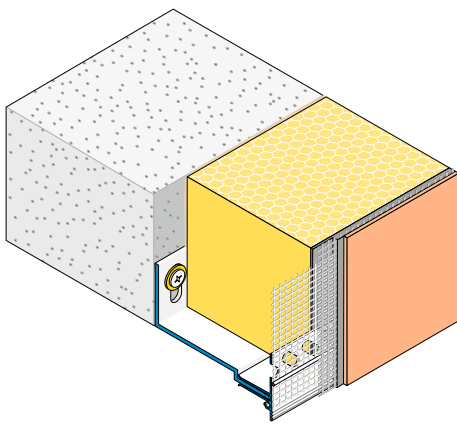
W61 - 1



Details



Sectional drawing in mm



Application drawing



W61 - 2

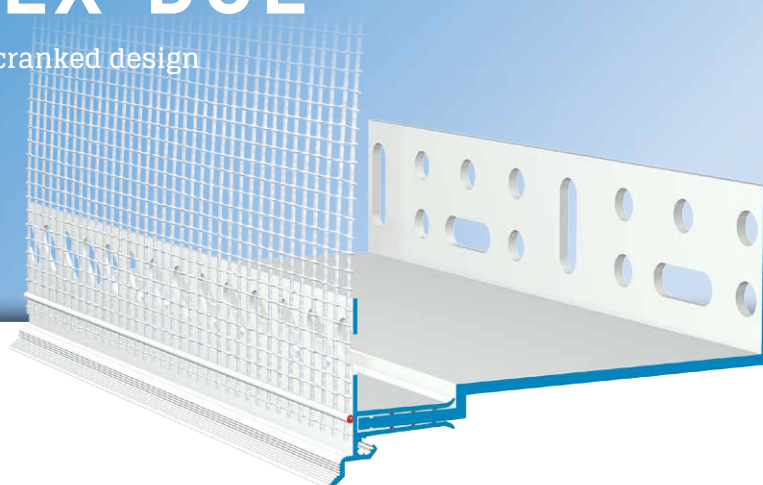
**APU**[®]

PROFILES FOR COMPOUND HEAT INSULATION SYSTEMS

Base rail

SOLI-TEX-DUE

Incl. clip-on profile, cranked design



The **APU base rail SOLI-TEX-DUE** is used in compound heat insulation systems as the bottom termination of the wall insulation.

The base rail is available in a variety of projection lengths. (Insulation material thickness 50, 60, 80, 100, 120, 140 and 160 mm). Where the insulating material is relatively thick, the extension rail can be used to extend the SOLI-TEX (Z63) base rail by 40 mm to 240 mm. The clip-on profile DUE forms an exact plaster edge.

The base rail SOLI-TEX-DUE consists of the SOLI-TEX base rail (S61) and the DUE clip-on profile (W62-2). The clip-on profile is clipped onto the base rail. The profile's cranked contour ensures that water is accurately led away. There is a fabric window reveal bead welded onto the profile. Each bar has a fabric overhang on one side of 10cm in the lengthways direction.

The included plug connectors (Z13), butt connectors (Z61) and inner and outer corners (Z18-2) enable the profiles to be joined and fitted very precisely.

What is created after completion of the plastering work is a clean termination of the plaster.



Design

	ITEM NO.	LENGTH	PACKAGING UNIT	WEIGHT (per PU)
--	----------	--------	----------------	-----------------

SOLI-TEX-DUE base rail

W61-2

Incl. W62-2 clip-on profile, with cranked drip edge

50 mm	W61-2-2005	2.0 m	10 bars = 20 m	11.8 kg
60 mm	W61-2-2006	2.0 m	10 bars = 20 m	13.3 kg
80 mm	W61-2-2008	2.0 m	10 bars = 20 m	14.4 kg
100 mm	W61-2-2010	2.0 m	10 bars = 20 m	16.0 kg
120 mm	W61-2-2012	2.0 m	10 bars = 20 m	16.7 kg
140 mm	W61-2-2014	2.0 m	10 bars = 20 m	17.5 kg
160 mm	W61-2-2016	2.0 m	10 bars = 20 m	20.0 kg

Features

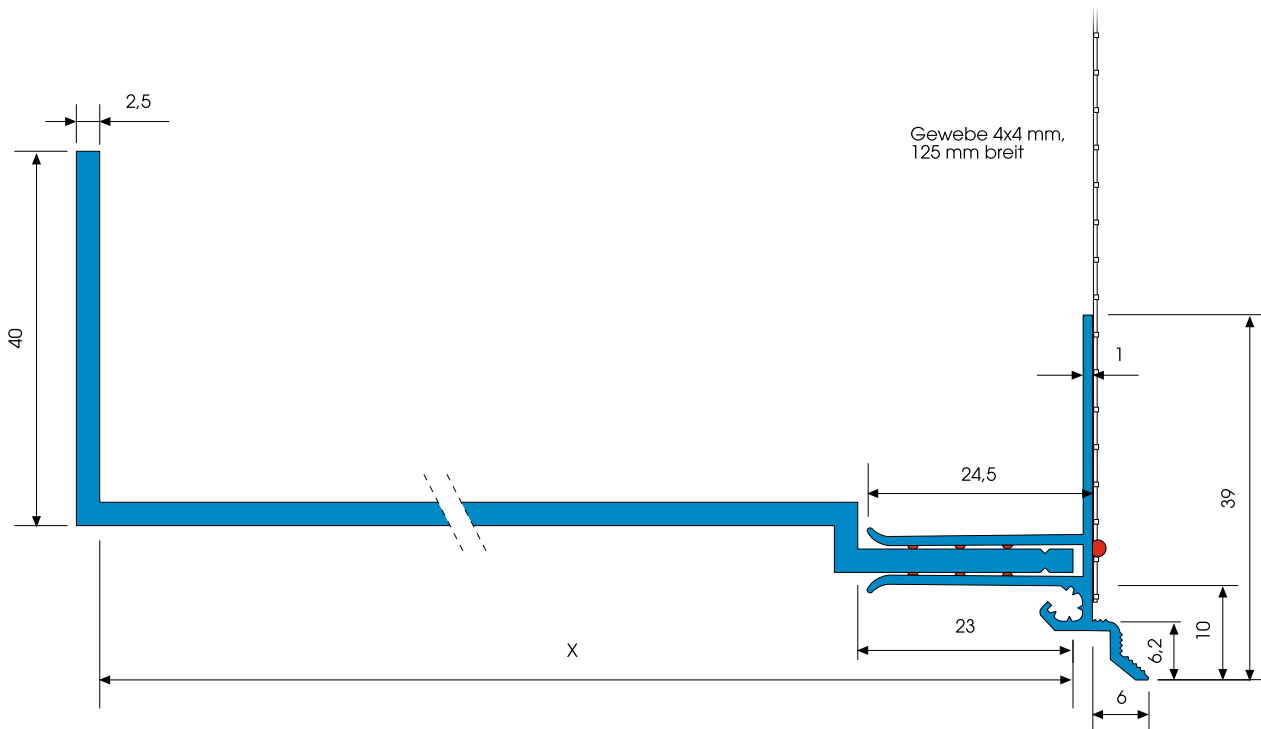
	SOLI-TEX-DUE BASE RAIL
Material	<ul style="list-style-type: none"> ■ Rigid PVC manufactured under DIN 16941
Features	<ul style="list-style-type: none"> ■ S61-20.. SOLI-TEX base rail 2.0m ■ W62-2-2100 SOLI-TEX-DUE clip-on profile 2.1 m
Mesh	<ul style="list-style-type: none"> ■ Min. 160 g/m² approved for compound heat insulation systems ■ 12.5 cm wide – MW 4x4 mm ■ Ultrasonic welded
Accessories	<ul style="list-style-type: none"> ■ Z61-0000 Butt connectors (1-2 bars depending on projection) ■ Z13-0000 Plug connectors (1 bag) ■ Z18-2-1010i Internal corners (1 piece) ■ Z18-2-1010a External corners (2 pieces)
Optional accessories	<ul style="list-style-type: none"> ■ Z63-2004 SOLI-TEX Extension rail, 40 mm
Inspections	<ul style="list-style-type: none"> ■ Munich Research Institute for Heat Insulation Heat Transmission Coefficient Test Report

Important information

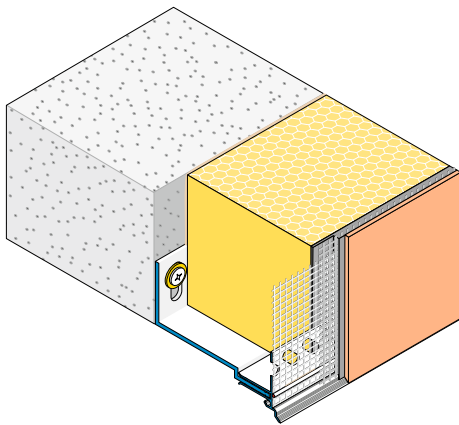
Storage	Always store profiles laid down in a dry place.
Other applications	Any applications not clearly described in the documents may be implemented only after consultation with the plaster or ETICS manufacturer.

For information on materials, areas of use, tests and correct application, please refer to our 'General Advice and Information'

Details



Sectional drawing in mm



Application drawing



W61 - 4



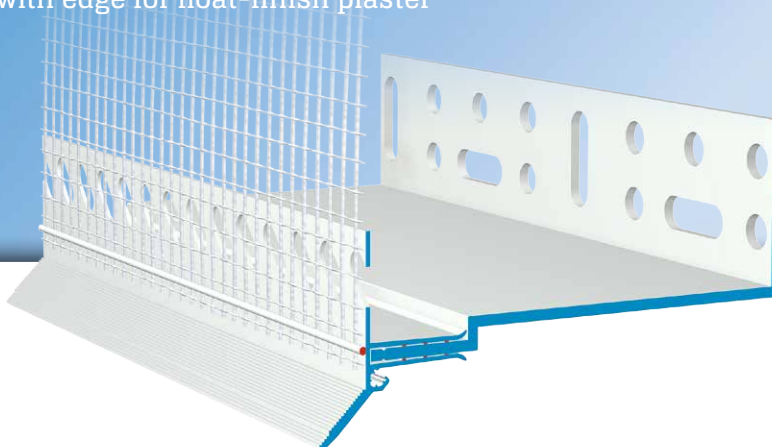
APU®

PROFILES FOR COMPOUND HEAT INSULATION SYSTEMS

Base rail

SOLI-TEX-QUATTRO

Incl clip-on profile, with edge for float-finish plaster



The **APU base rail SOLI-TEX-QUATTRO** is used in compound heat insulation systems as the bottom termination of the wall insulation.

The base rail is available in different projection lengths (50, 60, 80, 100, 120, 140 and 160 mm insulating material thickness). Where the insulating material is relatively thick, the extension rail can be used to extend the SOLI-TEX (Z63) base rail by 40 mm to 240 mm. The clip-on profile QUATTRO forms an exact plaster edge for float-finish plaster.

The base rail SOLI-TEX-QUATTRO consists of the base rail SOLI-TEX (S61) and the clip-on profile QUATTRO (W62-4). The clip-on profile is clipped onto the base rail. The profile's slanted contour serves as a base for taking float-finish plaster. There is a fabric window reveal bead welded onto the profile. Each bar has a fabric overhang on one side of 10cm in the lengthways direction.

The included plug connectors (Z13), butt connectors (Z61) and inner and outer corners (Z18-4) enable the profiles to be joined and fitted very precisely.

What is created after completion of the plastering work is a clean termination of the plaster for float-finish plaster.



Design

	ITEM NO.	LENGTH	PACKAGING UNIT	WEIGHT (per PU)
--	----------	--------	----------------	-----------------

SOLI-TEX-QUATTRO base rail

W61-4

Incl. W62-4 clip-on profile, with edge for float-finish plaster

50 mm	W61-4-2005	2.0 m	10 bars = 20 m	12.3 kg
60 mm	W61-4-2006	2.0 m	10 bars = 20 m	13.8 kg
80 mm	W61-4-2008	2.0 m	10 bars = 20 m	14.9 kg
100 mm	W61-4-2010	2.0 m	10 bars = 20 m	16.4 kg
120 mm	W61-4-2012	2.0 m	10 bars = 20 m	17.2 kg
140 mm	W61-4-2014	2.0 m	10 bars = 20 m	17.9 kg
160 mm	W61-4-2016	2.0 m	10 bars = 20 m	20.5 kg

Features

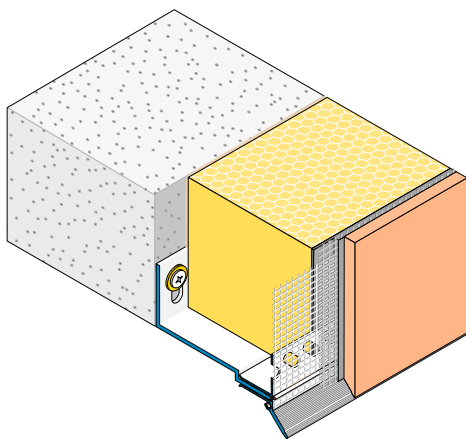
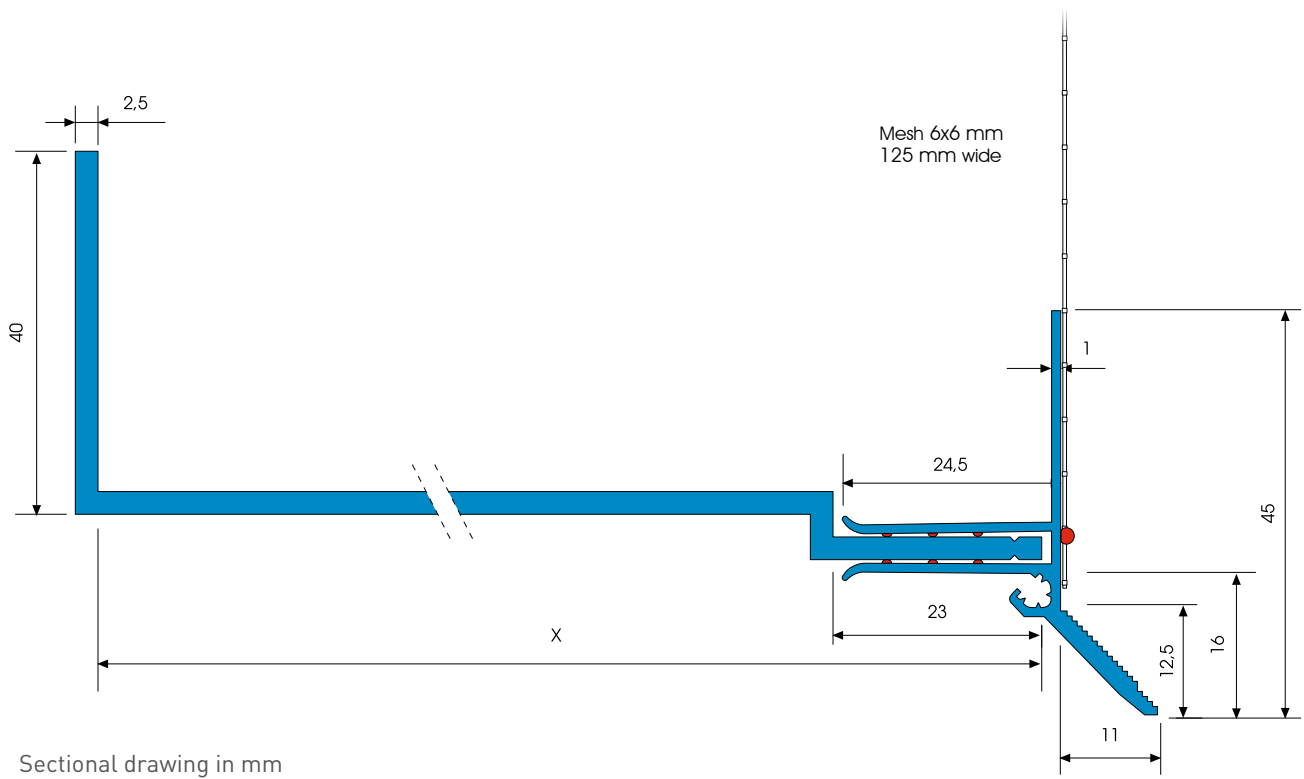
	SOLI-TEX-QUATTRO BASE RAIL
Material	<ul style="list-style-type: none"> ■ Rigid PVC manufactured under DIN 16941
Features	<ul style="list-style-type: none"> ■ S61-20. SOLI-TEX base rail 2.0 m ■ W62-4-2100 SOLI-TEX-QUATTRO clip-on profile 2.1 m
Mesh	<ul style="list-style-type: none"> ■ Min. 160 g/m² approved for compound heat insulation systems ■ 12.5 cm wide – MW 6 x 6 mm ■ Ultrasonic welded
Accessories	<ul style="list-style-type: none"> ■ Z61-0000 Butt connectors (1-2 bars depending on projection) ■ Z13-0000 Plug connectors (1 bag) ■ Z18-4-1010i Internal corners (1 piece) ■ Z18-4-1010a External corners (2 pieces)
Optional accessories	<ul style="list-style-type: none"> ■ Z63-2004 SOLI-TEX Extension rail, 40 mm
Inspections	<ul style="list-style-type: none"> ■ Munich Research Institute for Heat Insulation Heat Transmission Coefficient Test Report

Important information

Storage	Always store profiles laid down in a dry place.
Other applications	Any applications not clearly described in the documents may be implemented only after consultation with the plaster or ETICS manufacturer.

For information on materials, areas of use, tests and correct application, please refer to our 'General Advice and Information'

Details



Application drawing



W62 - 0



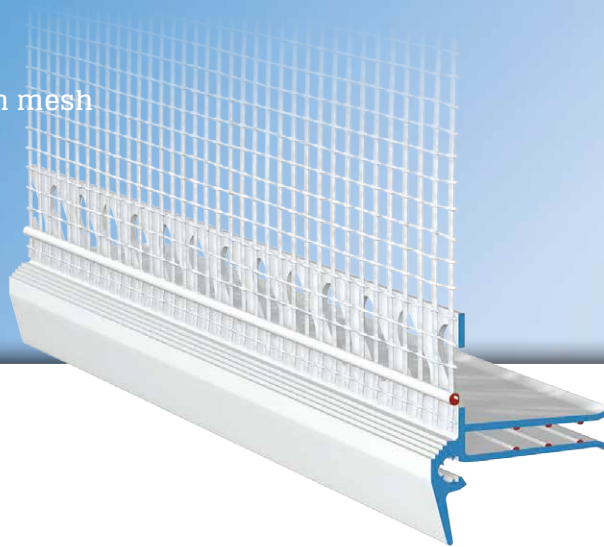
APU®

PROFILES FOR COMPOUND HEAT INSULATION SYSTEMS

Clip-on profile

ZERO

With drip edge and 12.5 cm mesh



The **APU clip-on profile ZERO** is used horizontally in compound heat insulation systems e.g., for plaster joints up against shutter boxes or in the base area.

The profile contour with visible drip edge provides a reliable solution in respect of downward guidance of water.

The profile has a punched plaster bar. Welded onto the plaster limb is a fabric strip. Each bar has a fabric overhang on one side of 10cm in the lengthways direction. The bottom U-bar is used for perfectly fitting attachment to the existing structural element. The included plug connectors (Z13) and inner and outer corners (Z18-0) enable the profiles to be joined and fitted very precisely.

What is created after completion of the plastering work is a clean termination of the plaster.



W62-0



Design

	ITEM NO.	LENGTH	PACKAGING UNIT	WEIGHT (per PU)
--	----------	--------	----------------	-----------------

ZERO clip-on profile

W62-0

With drip edge and 12.5 cm mesh

W62-0-2100

2.1 m

10 bars = 21 m

3.9 kg

Features

	ZERO CLIP-ON PROFILE
Material	<ul style="list-style-type: none"> ■ Rigid PVC manufactured under DIN-16941
Mesh	<ul style="list-style-type: none"> ■ Min. 160 g/m² approved for compound heat insulation systems ■ 12.5 cm wide – MW 4x4 mm ■ Ultrasonic welded
Accessories	<ul style="list-style-type: none"> ■ Z13-0000 Plug connectors (1 bag) ■ Z18-0-1010i Internal corners (2 pieces) ■ Z18-0-1010a External corners (4 pieces)

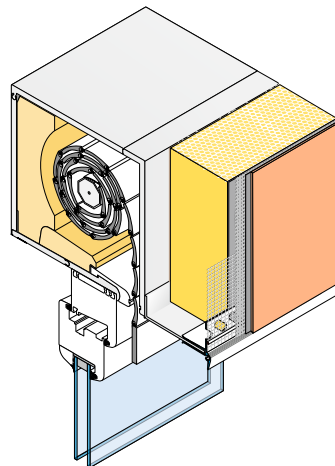
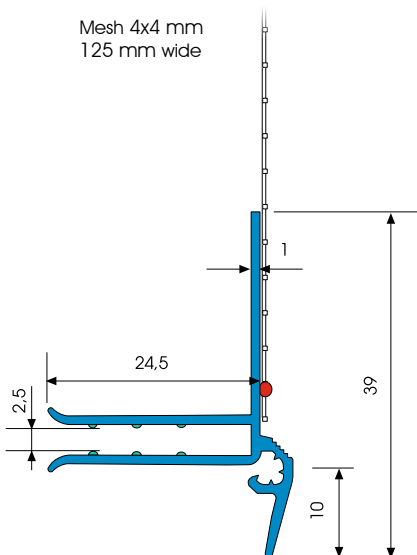
Important information

Storage Always store profiles laid down in a dry place.

Other applications Any applications not clearly described in the documents may be implemented only after consultation with the plaster or ETICS manufacturer.

For information on materials, areas of use, tests and correct application, please refer to our 'General Advice and Information'

Details



Sectional drawing in mm

Application drawing



W62 - 1



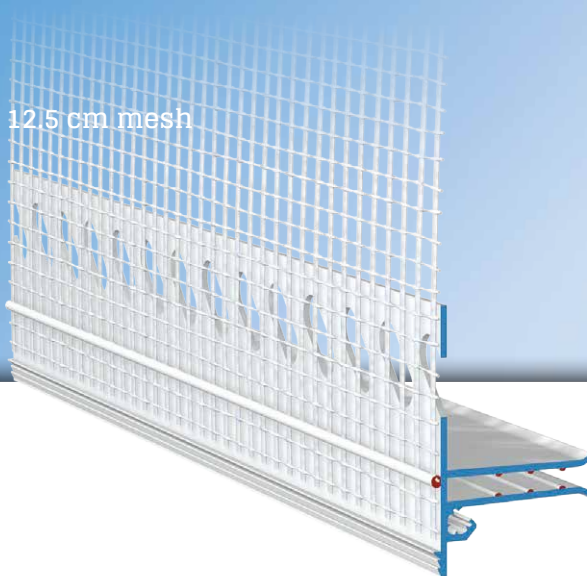
APU®

PROFILES FOR COMPOUND HEAT INSULATION SYSTEMS

Clip-on profile

UNO

With straight drip edge and 12.5 cm mesh



The **APU clip-on profile UNO** is used horizontally in compound heat insulation systems e.g., for plaster joints up against shutter boxes or in the base area. The straight profile contour provides a reliable solution in respect of downward guidance of water.

The profile has a punched plaster bar. Welded onto the plaster limb is a fabric strip. Each bar has a fabric overhang on one side of 10cm in the lengthways direction. The bottom U-bar is used for perfectly fitting attachment to the existing structural element. The included plug connectors (Z13) and inner and outer corners (Z18-1) enable the profiles to be joined and fitted very precisely.

What is created after completion of the plastering work is a clean termination of the plaster.



W62 - 1



Design

	ITEM NO.	LENGTH	PACKAGING UNIT	WEIGHT (per PU)
--	----------	--------	----------------	-----------------

UNO clip-on profile

W62 - 1

With straight drip edge and 12.5 cm mesh **W62-1-2100** 2.1 m 10 bars = 21 m 4.0 kg

Features

	UNO CLIP-ON PROFILE
Material	<ul style="list-style-type: none"> ■ Rigid PVC manufactured under DIN-16941
Mesh	<ul style="list-style-type: none"> ■ Min. 160 g/m² approved for compound heat insulation systems ■ 12.5 cm wide – MW 4x4 mm ■ Ultrasonic welded
Accessories	<ul style="list-style-type: none"> ■ Z13-0000 Plug connectors (1 bag) ■ Z18-1-1010i Internal corners (2 pieces) ■ Z18-1-1010a External corners (4 pieces)

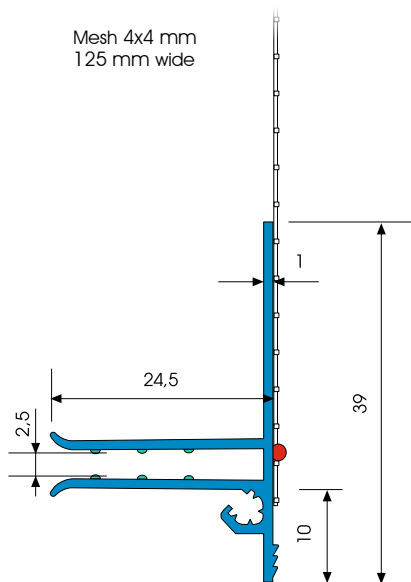
Important information

Storage Always store profiles laid down in a dry place.

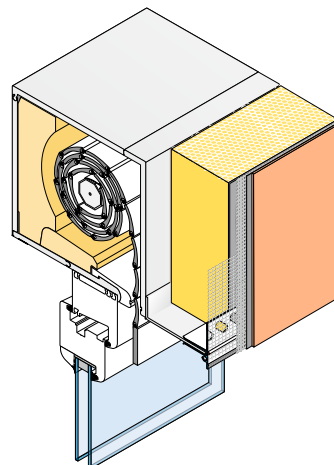
Other applications Any applications not clearly described in the documents may be implemented only after consultation with the plaster or ETICS manufacturer.

For information on materials, areas of use, tests and correct application, please refer to our 'General Advice and Information'

Details



Sectional drawing in mm



Application drawing



W62 - 2



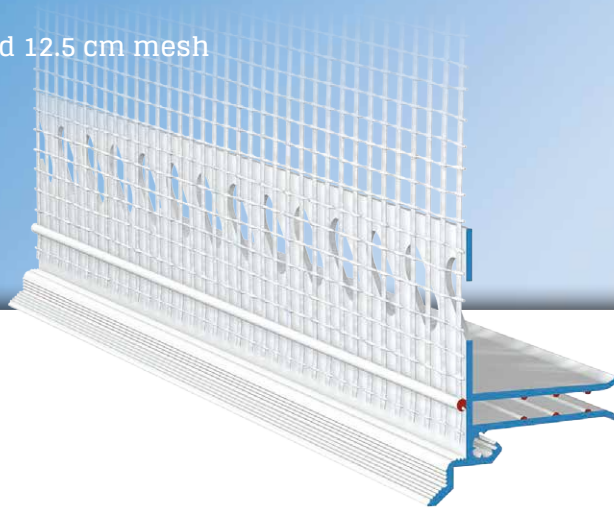
APU®

PROFILES FOR COMPOUND HEAT INSULATION SYSTEMS

Clip-on profile

DUE

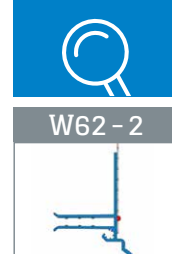
With cranked drip edge and 12.5 cm mesh



The **APU clip-on profile DUE** is used horizontally in compound heat insulation systems e.g., for plaster joints up against shutter boxes or in the base area. The cranked profile contour provides a reliable solution in respect of downward guidance of water.

The profile has a punched plaster bar. Welded onto the plaster limb is a fabric strip. Each bar has a fabric overhang on one side of 10cm in the lengthways direction. The bottom U-bar is used for perfectly fitting attachment to the existing structural element. The included plug connectors (Z13) and inner and outer corners (Z18-2) enable the profiles to be joined and fitted very precisely.

What is created after completion of the plastering work is a clean termination of the plaster.



Design

	ITEM NO.	LENGTH	PACKAGING UNIT	WEIGHT (per PU)
--	----------	--------	----------------	-----------------

DUE clip-on profile

W62 - 2				
With cranked drip edge and 12.5 cm mesh	W62-2-2100	2.1 m	10 bars = 21 m	4.1 kg

Features

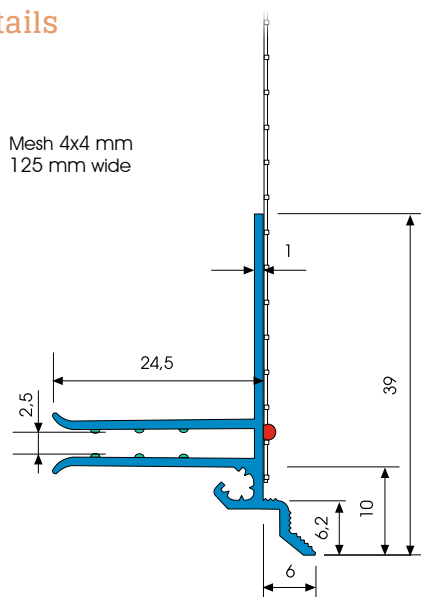
	DUE CLIP-ON PROFILE
Material	<ul style="list-style-type: none"> ■ Rigid PVC manufactured under DIN-16941
Mesh	<ul style="list-style-type: none"> ■ Min. 160 g/m² approved for compound heat insulation systems ■ 12.5 cm wide – MW 4x4 mm ■ Ultrasonic welded
Accessories	<ul style="list-style-type: none"> ■ Z13-0000 Plug connectors (1 bag) ■ Z18-2-1010i Internal corners (2 pieces) ■ Z18-2-1010a External corners (4 pieces)

Important information

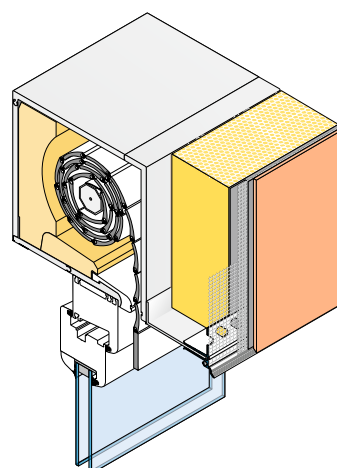
Storage	Always store profiles laid down in a dry place.
Other applications	Any applications not clearly described in the documents may be implemented only after consultation with the plaster or ETICS manufacturer.

For information on materials, areas of use, tests and correct application, please refer to our 'General Advice and Information'

Details



Sectional drawing in mm



Application drawing



W62 - 4



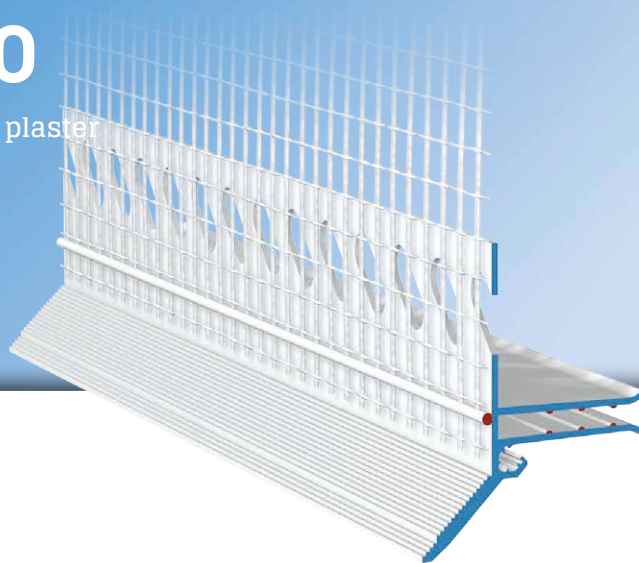
APU®

PROFILES FOR COMPOUND HEAT INSULATION SYSTEMS

Clip-on profile

QUATTRO

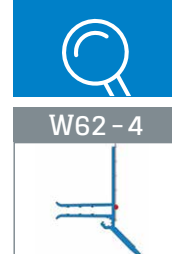
With edge for float-finish plaster



The **APU clip-on profile QUATTRO** is used horizontally in compound heat insulation systems e.g., for plaster joints up against shutter boxes or in the base area. The diagonal profile contour for float-finish plaster provides a reliable solution in respect of downward guidance of water.

The profile has a punched plaster bar. Welded onto the plaster limb is a fabric strip. Each bar has a fabric overhang on one side of 10cm in the lengthways direction. The bottom U-bar is used for perfectly fitting attachment to the existing structural element. The included plug connectors (Z13) and inner and outer corners (Z18-4) enable the profiles to be joined and fitted very precisely.

What is created after completion of the plastering work is a clean termination of the plaster.



Design

	ITEM NO.	LENGTH	PACKAGING UNIT	WEIGHT (per PU)
--	----------	--------	----------------	-----------------

QUATTRO clip-on profile

W62 - 4	W62-4-2100	2.1 m	10 bars = 21 m	4.6 kg
With edge for float-finish plaster				

Features

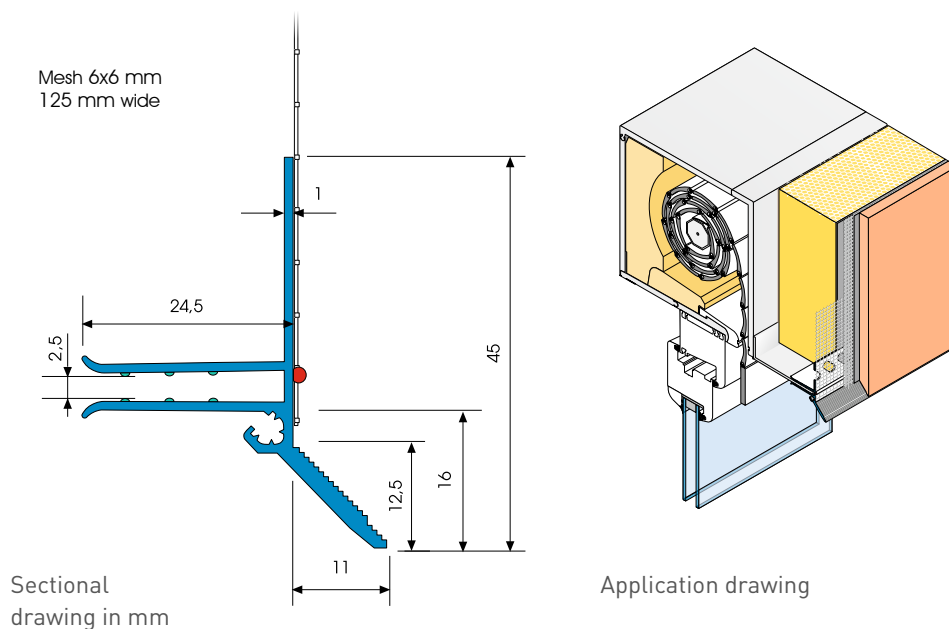
	QUATTRO CLIP-ON PROFILE
Material	<ul style="list-style-type: none"> ■ Rigid PVC manufactured under DIN-16941
Mesh	<ul style="list-style-type: none"> ■ Min. 160 g/m² approved for compound heat insulation systems ■ 12.5 cm wide – MW 6x6 mm ■ Ultrasonic welded
Accessories	<ul style="list-style-type: none"> ■ Z13-0000 Plug connectors (1 bag) ■ Z18-4-1010i Internal corners (2 pieces) ■ Z18-4-1010a External corners (4 pieces)

Important information

Storage	Always store profiles laid down in a dry place.
Other applications	Any applications not clearly described in the documents may be implemented only after consultation with the plaster or ETICS manufacturer.

For information on materials, areas of use, tests and correct application, please refer to our 'General Advice and Information'

Details





W64 - 0



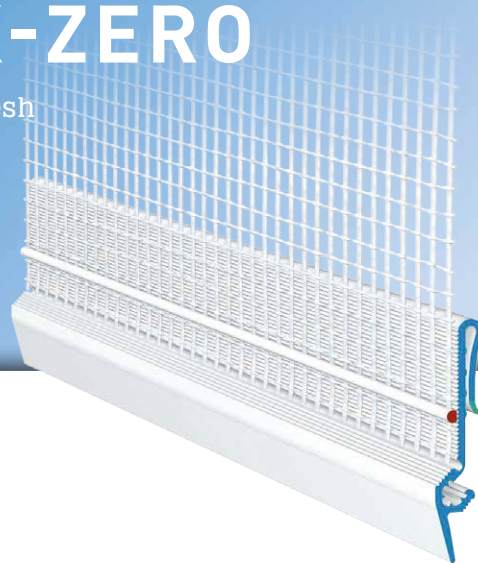
APU®

PROFILES FOR COMPOUND HEAT INSULATION SYSTEMS

Base clip-on profile

REPO-TEX-ZERO

With drip edge and 12.5 cm mesh



The **APU base clip-on profile REPO-TEX-ZERO** is used in compound heat insulation systems as a termination against metal base rails in trough or T-form. In this way, any movements between plaster junction and metal profile get compensated. The ZERO base clip-on profile forms an exact plaster edge with a drip nose.

The base clip-on profile is clipped onto the existing metal base rail. The drip nose that is formed ensures that water is accurately guided away. There is a fabric window reveal bead welded onto the profile. Each bar has a fabric overhang on one side of 10cm in the lengthways direction.

The included plug connectors (Z13) and inner and outer corners (Z18-0) enable the profiles to be joined and fitted very precisely. What is created after completion of the plastering work is a clean termination of the plaster.



W64 - 0



Design

	ITEM NO.	LENGTH	PACKAGING UNIT	WEIGHT (per PU)
--	----------	--------	----------------	-----------------

REPO-TEX-ZERO base clip-on profile

W64 - 0	W64-0-2500	2.5 m	20 bars = 50 m	6.9 kg
---------	------------	-------	----------------	--------

Features

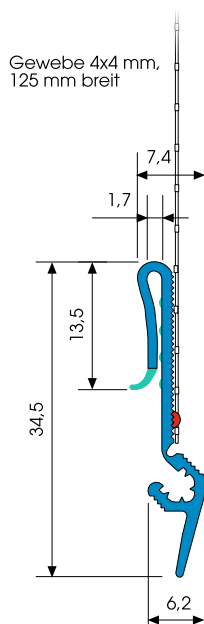
	REPO-TEX-ZERO BASE CLIP-ON PROFILE
Material	<ul style="list-style-type: none"> ■ Rigid PVC manufactured under DIN 16941 ■ TPE manufactured under DIN 16941
Mesh	<ul style="list-style-type: none"> ■ Min. 160 g/m² approved for compound heat insulation systems ■ 12.5 cm wide – MW 4 x 4 mm ■ Ultrasonic welded
Accessories	<ul style="list-style-type: none"> ■ Z13-0000 Plug connectors (1 bag) ■ Z18-0-1010i Internal corners (2 pieces) ■ Z18-0-1010a External corners (4 pieces)

Important information

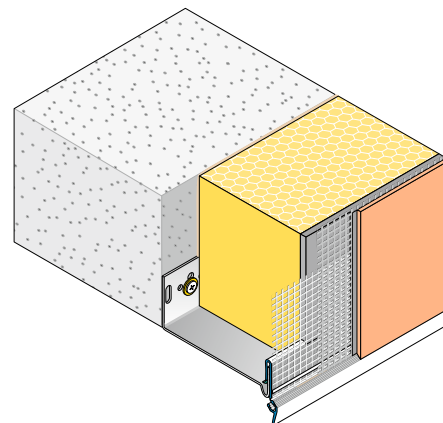
Other applications Any applications not clearly described in the documents may be implemented only after consultation with the plaster or ETICS manufacturer.

For information on materials, areas of use, tests and correct application, please refer to our 'General Advice and Information'

Details



Sectional drawing in mm



Application drawing



W64 - 1

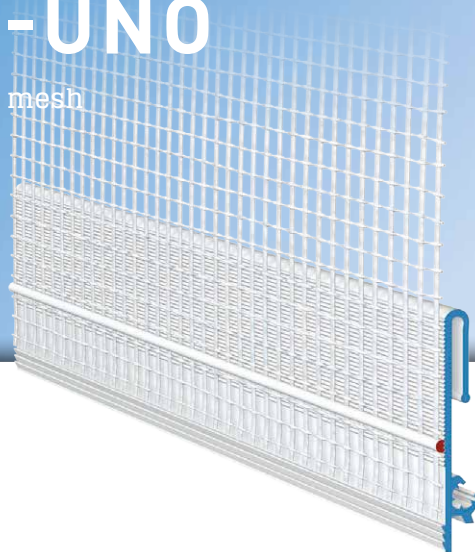
**APU**[®]

PROFILES FOR COMPOUND HEAT INSULATION SYSTEMS

Base clip-on profile

REPO-TEX-UNO

With straight edge and 12.5 cm mesh



The **APU base clip-on profile REPO-TEX-UNO** is used in compound heat insulation systems as a termination against metal base rails in trough or T-form. In this way, any movements between plaster junction and metal profile get compensated. The UNO base clip-on profile forms an exact, straight plaster edge.

The base clip-on profile is clipped onto the existing metal base rail. The profile's straight contour ensures that water is accurately led away. There is a fabric window reveal bead welded onto the profile. Each bar has a fabric overhang on one side of 10cm in the lengthways direction.

The included plug connectors (Z13) and inner and outer corners (Z18 - 1) enable the profiles to be joined and fitted very precisely.

What is created after completion of the plastering work is a clean termination of the plaster.



W64 - 1



Design

	ITEM NO.	LENGTH	PACKAGING UNIT	WEIGHT (per PU)
--	----------	--------	----------------	-----------------

REPO-TEX-UNO base clip-on profile

W64 - 1

With straight edge and 12.5 cm mesh

W64-1-2500

2.5 m

20 bars = 50 m

7.4 kg

Features

	REPO-TEX-UNO BASE CLIP-ON PROFILE
Material	<ul style="list-style-type: none"> ■ Rigid PVC manufactured under DIN 16941
Mesh	<ul style="list-style-type: none"> ■ Min. 160 g/m² approved for compound heat insulation systems ■ 12.5 cm wide – MW 4x4 mm ■ Ultrasonic welded
Accessories	<ul style="list-style-type: none"> ■ Z13-0000 Plug connectors (1 bag) ■ Z18-1-1010i Internal corners (2 pieces) ■ Z18-1-1010a External corners (4 pieces)

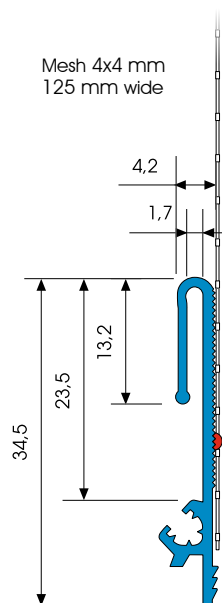
Important information

Other applications

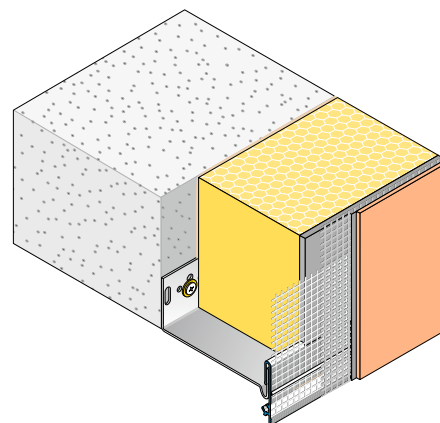
Any applications not clearly described in the documents may be implemented only after consultation with the plaster or ETICS manufacturer.

For information on materials, areas of use, tests and correct application, please refer to our 'General Advice and Information'

Details



Sectional drawing in mm



Application drawing



W64 - 2

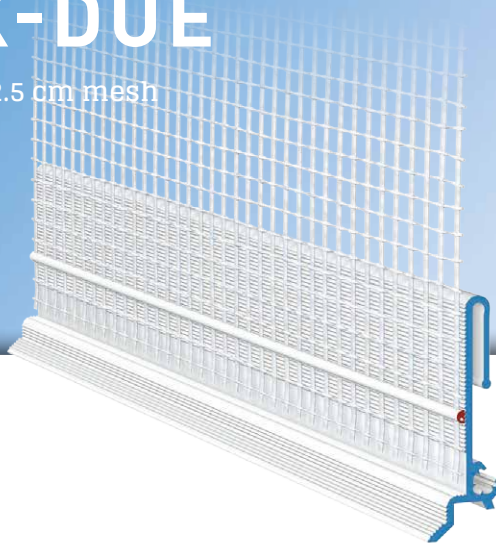
**APU**[®]

PROFILES FOR COMPOUND HEAT INSULATION SYSTEMS

Base clip-on profile

REPO-TEX-DUE

With cranked drip edge and 12.5 cm mesh



The **APU base clip-on profile REPO-TEX-DUE** is used in compound heat insulation systems as a termination against metal base rails in trough or T-form. In this way, any movements between plaster junction and metal profile get compensated. The base clip-on profile DUE forms an exact plaster edge.

The base clip-on profile is clipped onto the existing metal base rail. The profile's cranked contour ensures that water is accurately led away. There is a fabric window reveal bead welded onto the profile. Each bar has a fabric overhang on one side of 10cm in the lengthways direction.

The included plug connectors (Z13) and inner and outer corners (Z18 - 2) enable the profiles to be joined and fitted very precisely.

What is created after completion of the plastering work is a clean termination of the plaster.



W64 - 2



Design

	ITEM NO.	LENGTH	PACKAGING UNIT	WEIGHT (per PU)
--	----------	--------	----------------	-----------------

REPO-TEX-DUE base clip-on profile

W64 - 2

With cranked drip edge and 12.5 cm mesh **W64-2-2500** 2.5 m 20 bars = 50 m 7.7 kg

Features

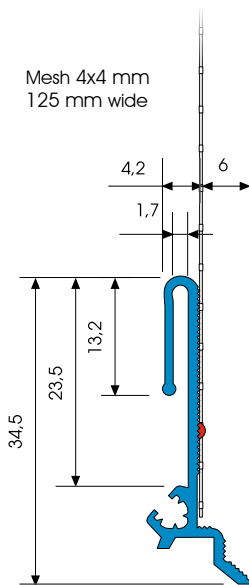
	REPO-TEX-DUE BASE CLIP-ON PROFILE
Material	<ul style="list-style-type: none"> ■ Rigid PVC manufactured under DIN 16941
Mesh	<ul style="list-style-type: none"> ■ Min. 160 g/m² approved for compound heat insulation systems ■ 12.5 cm wide – MW 4 x 4 mm ■ Ultrasonic welded
Accessories	<ul style="list-style-type: none"> ■ Z13-0000 Plug connectors (1 bag) ■ Z18-2-1010i Internal corners (2 pieces) ■ Z18-2-1010a External corners (4 pieces)

Important information

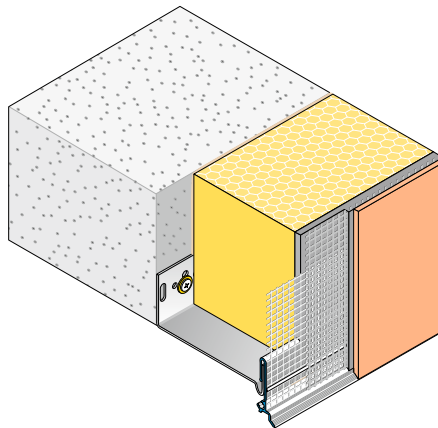
Other applications Any applications not clearly described in the documents may be implemented only after consultation with the plaster or ETICS manufacturer.

For information on materials, areas of use, tests and correct application, please refer to our 'General Advice and Information'

Details



Sectional drawing in mm



Application drawing



W64 - 4

**APU**[®]

PROFILES FOR COMPOUND HEAT INSULATION SYSTEMS

Base clip-on profile

REPO-TEX-QUATTRO

With edge for float-finish plaster



The **APU base clip-on profile REPO-TEX-QUATTRO** is used in compound heat insulation systems as a termination against metal base rails in trough or T-form.

In this way, any movements between plaster junction and metal profile get compensated. The base clip-on profile QUATTRO forms an exact plaster edge for float-finish plaster.

The base clip-on profile is clipped onto the existing metal base rail. The profile's sloped contour ensures that water is accurately led away. There is a fabric window reveal bead welded onto the profile. Each bar has a fabric overhang on one side of 10cm in the lengthways direction.

The included plug connectors (Z13) and inner and outer corners (Z18-4) enable the profiles to be joined and fitted very precisely.

What is created after completion of the plastering work is a clean termination of the plaster for float-finish plaster.



W64 - 4



Design

	ITEM NO.	LENGTH	PACKAGING UNIT	WEIGHT (per PU)
--	----------	--------	----------------	-----------------

REPO-TEX-QUATTRO base clip-on profile

W64 - 4

With edge for float-finish plaster

W64-4-2500

2.5 m

20 bars = 50 m

9.7 kg

Features

	REPO-TEX-QUATTRO BASE CLIP-ON PROFILE
Material	<ul style="list-style-type: none"> ■ Rigid PVC manufactured under DIN 16941
Mesh	<ul style="list-style-type: none"> ■ Min. 160 g/m² approved for compound heat insulation systems ■ 12.5 cm wide – MW 6x6 mm ■ Ultrasonic welded
Accessories	<ul style="list-style-type: none"> ■ Z13-0000 Plug connectors (1 bag) ■ Z18-4-1010i Internal corners (2 pieces) ■ Z18-4-1010a External corners (4 pieces)

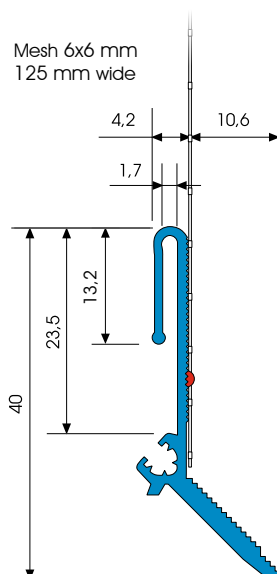
Important information

Other applications

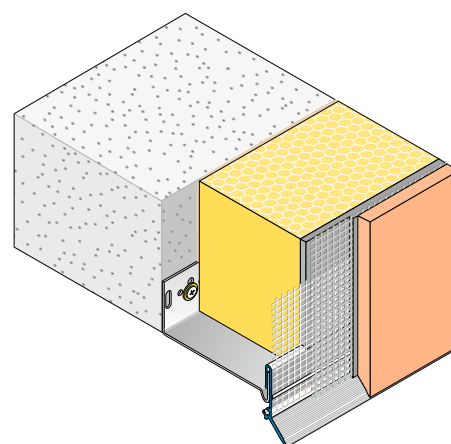
Any applications not clearly described in the documents may be implemented only after consultation with the plaster or ETICS manufacturer.

For information on materials, areas of use, tests and correct application, please refer to our 'General Advice and Information'

Details



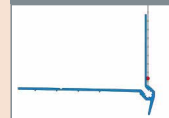
Sectional drawing in mm



Application drawing



W66 - 0



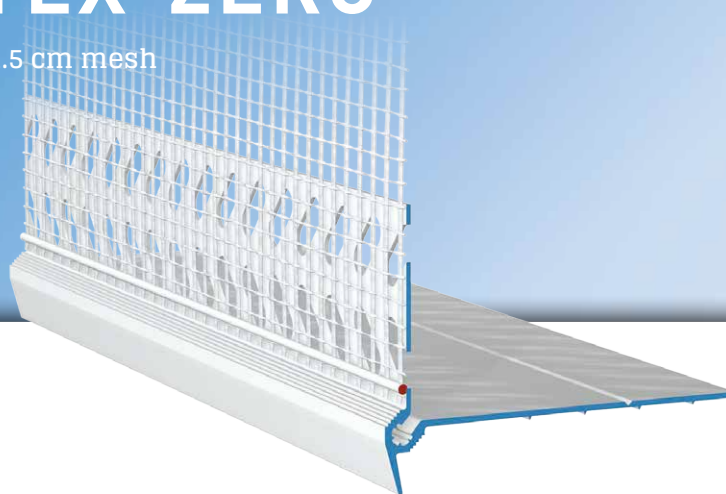
APU®

PROFILES FOR COMPOUND HEAT INSULATION SYSTEMS

Base edge profile

SOKA-TEX-ZERO

With drip edge and 12.5 cm mesh



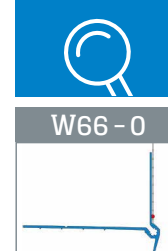
The **APU base edge profile SOKA-TEX-ZERO** is used in compound heat insulation systems as the bottom termination of the wall insulation.

Dependent on insulating material thickness, the base edge profile is pushed in in flexible ways between perimeter insulation and wall insulation. Where insulating material thicknesses differ, the base edge profile can in each instance be extended by 50 mm using the APU extension for W66 (Z23). The base edge profile forms an exact plaster edge with a drip nose.

The base edge profile SOKA-TEX-ZERO with the drip nose that it forms ensures that water is accurately guided away. There is a fabric window reveal bead welded onto the profile. Each bar has a fabric overhang on one side of 10cm in the lengthways direction.

The included plug connectors (Z13) and inner and outer corners (Z18-0) enable the profiles to be joined and fitted very precisely.

What is created after completion of the plastering work is a clean termination of the plaster.



W66 - 0

Design

	ITEM NO.	LENGTH	PACKAGING UNIT	WEIGHT (per PU)
--	----------	--------	----------------	-----------------

SOKA-TEX-ZERO base edge profile

W66 - 0				
With drip edge and 12.5 cm mesh	W66-0-2000	2.0 m	25 bars = 50 m	11.9 kg

Features

	SOKA-TEX-ZERO BASE EDGE PROFILE
Material	<ul style="list-style-type: none"> ■ Rigid PVC manufactured under DIN 16941
Mesh	<ul style="list-style-type: none"> ■ Min. 160 g/m² approved for compound heat insulation systems ■ 12.5 cm wide – MW 4x4 mm ■ Ultrasonic welded
Accessories	<ul style="list-style-type: none"> ■ Z13-0000 Plug connectors (1 bag) ■ Z18-0-1010i Internal corners (2 pieces) ■ Z18-0-1010a External corners (4 pieces)
Optional accessories	<p>For installing the perimeter insulation later:</p> <ul style="list-style-type: none"> ■ Z16-0060 Mounting bracket 60 mm ■ Z16-0120 Mounting bracket 120 mm ■ Z20-2005 Mounting rail 50 mm ■ Z20-2010 Mounting rail 100 mm ■ Z20-2016 Mounting rail 160 mm <p>For installation without perimeter insulation (insulation material thickness up to 150 mm):</p> <ul style="list-style-type: none"> ■ Z20-2005 Mounting rail 50 mm ■ Z20-2010 Mounting rail 100 mm <p>For insulating material extension:</p> <ul style="list-style-type: none"> ■ Z23-2000 extension for W66 2.0 m

Important information

Other applications	Any applications not clearly described in the documents may be implemented only after consultation with the plaster or ETICS manufacturer.
Perimeter insulation	<p>For retrospective installation of perimeter insulation</p> <p>▶ see Z16 and Z20 product documents</p> <p>For installation with no perimeter insulation (where the insulating material thickness is 150 mm or more perimeter insulation is required)</p> <p>▶ see Z20 product documents</p>

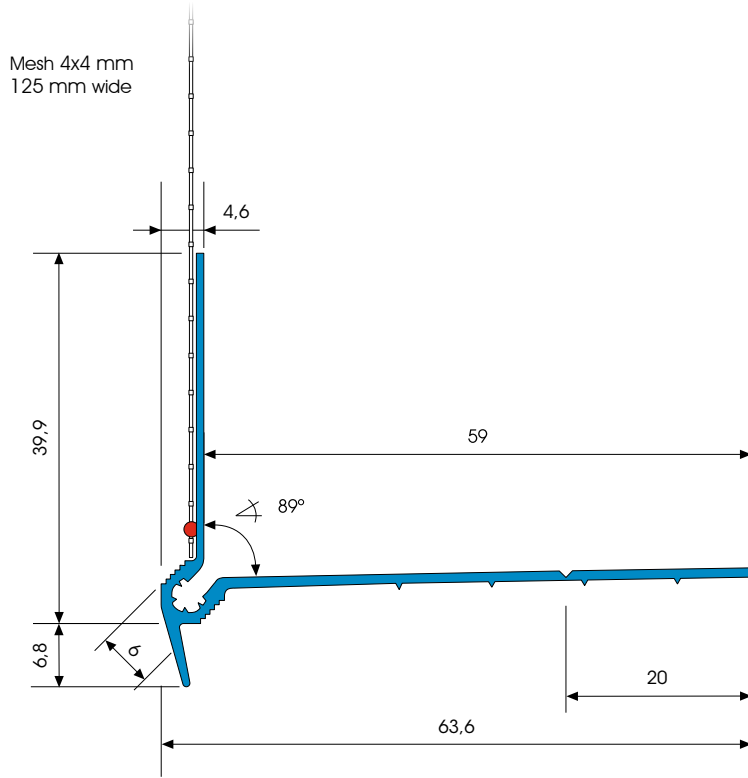
For information on materials, areas of use, tests and correct application, please refer to our 'General Advice and Information'



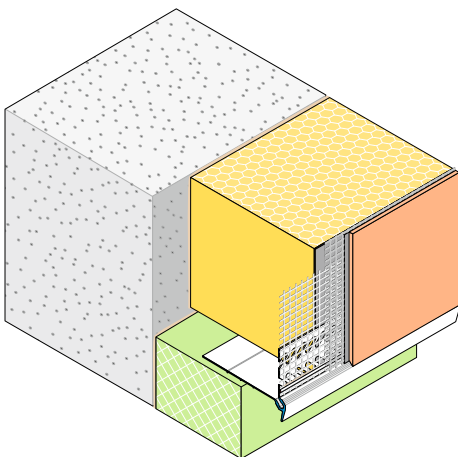
W66 - 0



Details



Sectional drawing in mm



Application drawing



W66 - 1

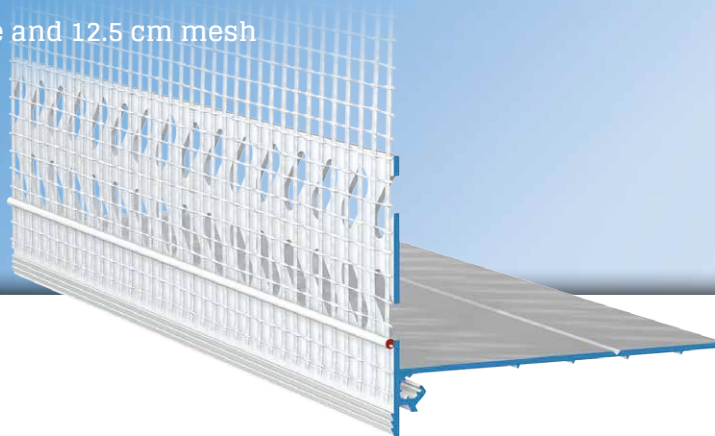
**APU**[®]

PROFILES FOR COMPOUND HEAT INSULATION SYSTEMS

Base edge profile

SOKA-TEX-UNO

With straight drip edge and 12.5 cm mesh



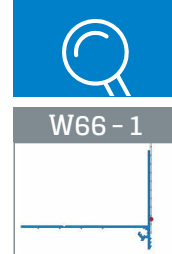
The **APU base edge profile SOKA-TEX-UNO** is used in compound heat insulation systems as the bottom termination of the wall insulation.

Dependent on insulating material thickness, the base edge profile is pushed in in flexible ways between perimeter insulation and wall insulation. Where insulating material thicknesses differ, the base edge profile can in each instance be extended by 50 mm using the extension for W66 (Z23). The base edge profile forms an exact plaster edge with drip nose.

The base edge profile SOKA-TEX-UNO, with its straight contour, ensures that water is accurately guided away. There is a fabric window reveal bead welded onto the profile. Each bar has a fabric overhang on one side of 10cm in the lengthways direction.

The included plug connectors (Z13), butt connectors (Z61) and inner and outer corners (Z18 - 1) enable the profiles to be joined and fitted very precisely.

What is created after completion of the plastering work is a clean termination of the plaster.



Design

	ITEM NO.	LENGTH	PACKAGING UNIT	WEIGHT (per PU)
--	----------	--------	----------------	-----------------

SOKA-TEX-UNO base edge profile

W66 - 1				
With straight drip edge and 12.5 cm mesh	W66-1-2000	2.0 m	25 bars = 50 m	10.3 kg

Features

	SOKA-TEX-UNO BASE EDGE PROFILE
Material	<ul style="list-style-type: none"> ■ Rigid PVC manufactured under DIN 16941
Mesh	<ul style="list-style-type: none"> ■ Min. 160 g/m² approved for compound heat insulation systems ■ 12.5 cm wide – MW 4x4 mm ■ Ultrasonic welded
Accessories	<ul style="list-style-type: none"> ■ Z13-0000 Plug connectors (1 bag) ■ Z18-1-1010i Internal corners (2 pieces) ■ Z18-1-1010a External corners (4 pieces)
Optional accessories	<p>For installing the perimeter insulation later:</p> <ul style="list-style-type: none"> ■ Z16-0060 Mounting bracket 60 mm ■ Z16-0120 Mounting bracket 120 mm ■ Z20-2005 Mounting rail 50 mm ■ Z20-2010 Mounting rail 100 mm ■ Z20-2016 Mounting rail 160 mm <p>For installation without perimeter insulation (insulation material thickness up to 150 mm):</p> <ul style="list-style-type: none"> ■ Z20-2005 Mounting rail 50 mm ■ Z20-2010 Mounting rail 100 mm <p>For insulating material extension:</p> <ul style="list-style-type: none"> ■ Z23-2000 extension for W66 2.0 m

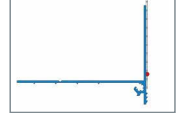
Important information

Other applications	Any applications not clearly described in the documents may be implemented only after consultation with the plaster or ETICS manufacturer.
Perimeter insulation	<p>Where the insulating material thickness is 150 mm or more, perimeter insulation is required.</p> <p>For retrospective installation of perimeter insulation</p> <p>▶ see Z16 and Z20 product documents</p> <p>For installation with no perimeter insulation (where the insulating material thickness is 150 mm or more perimeter insulation is required)</p> <p>▶ see Z20 product documents</p>

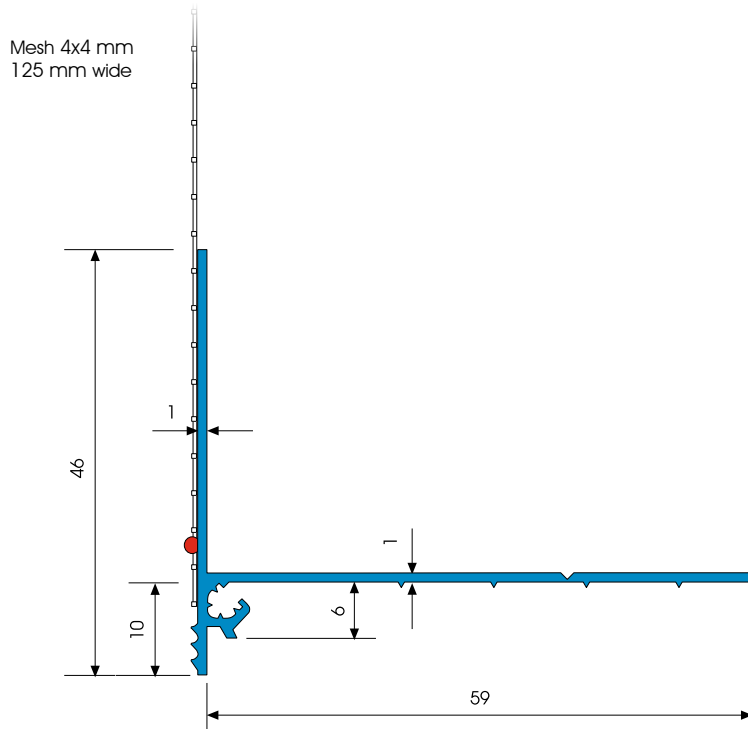
For information on materials, areas of use, tests and correct application, please refer to our 'General Advice and Information'



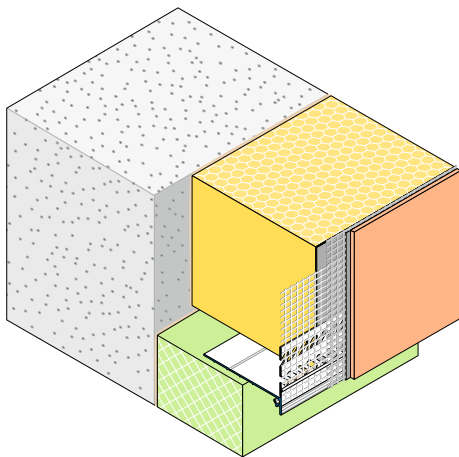
W66 - 1



Details



Sectional drawing in mm



Application drawing



W66 - 2

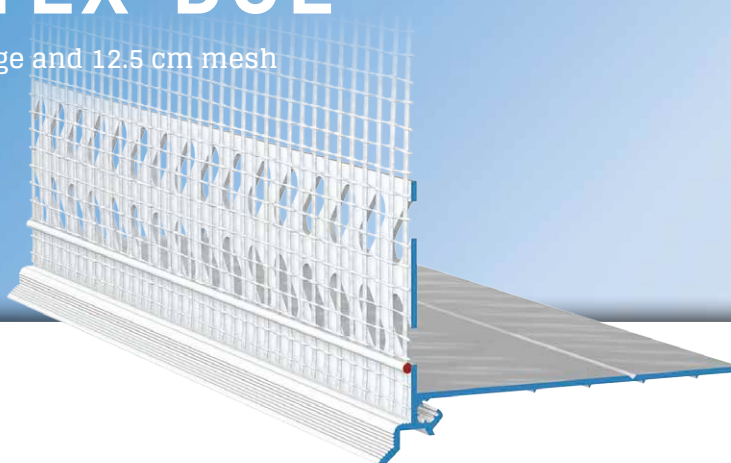
**APU**[®]

PROFILES FOR COMPOUND HEAT INSULATION SYSTEMS

Base edge profile

SOKA-TEX-DUE

With cranked drip edge and 12.5 cm mesh



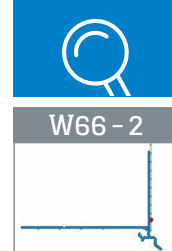
The **APU base edge profile SOKA-TEX-DUE** is used in compound heat insulation systems as the bottom termination of the wall insulation.

Dependent on insulating material thickness, the base edge profile is pushed in in flexible ways between perimeter insulation and wall insulation. Where insulating material thicknesses differ, the base edge profile can in each instance be extended by 50 mm using the extension for W66 (Z23). The base edge profile forms an exact plaster edge with drip nose.

The base edge profile SOKA-TEX-DUE, with its cranked contour, ensures that water is accurately guided away. There is a fabric window reveal bead welded onto the profile. Each bar has a fabric overhang on one side of 10cm in the lengthways direction.

The included plug connectors (Z13) and inner and outer corners (Z18 - 2) enable the profiles to be joined and fitted very precisely.

What is created after completion of the plastering work is a clean termination of the plaster.



Design

	ITEM NO.	LENGTH	PACKAGING UNIT	WEIGHT (per PU)
--	----------	--------	----------------	-----------------

SOKA-TEX-DUE base edge profile

W66 - 2				
With cranked drip edge and 12.5 cm mesh	W66-2-2000	2.0 m	25 bars = 50 m	10.2 kg

Features

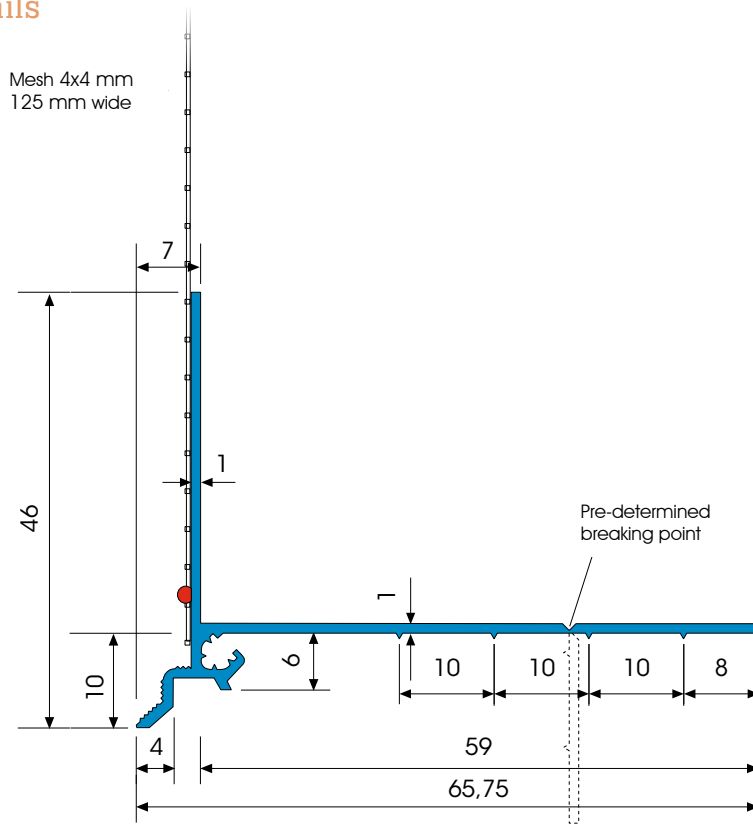
	SOKA-TEX-DUE BASE EDGE PROFILE
Material	<ul style="list-style-type: none"> ■ Rigid PVC manufactured under DIN 16941
Mesh	<ul style="list-style-type: none"> ■ Min. 160 g/m² approved for compound heat insulation systems ■ 12.5 cm wide – MW 4x4 mm ■ Ultrasonic welded
Accessories	<ul style="list-style-type: none"> ■ Z13-0000 Plug connectors (1 bag) ■ Z18-2-1010i Internal corners (2 pieces) ■ Z18-2-1010a External corners (4 pieces)
Optional accessories	<p>For installing the perimeter insulation later:</p> <ul style="list-style-type: none"> ■ Z16-0060 Mounting bracket 60 mm ■ Z16-0120 Mounting bracket 120 mm ■ Z20-2005 Mounting rail 50 mm ■ Z20-2010 Mounting rail 100 mm ■ Z20-2016 Mounting rail 160 mm <p>For installation without perimeter insulation (insulation material thickness up to 150 mm):</p> <ul style="list-style-type: none"> ■ Z20-2005 Mounting rail 50 mm ■ Z20-2010 Mounting rail 100 mm <p>For insulating material extension:</p> <ul style="list-style-type: none"> ■ Z23-2000 extension for W66 2.0 m

Important information

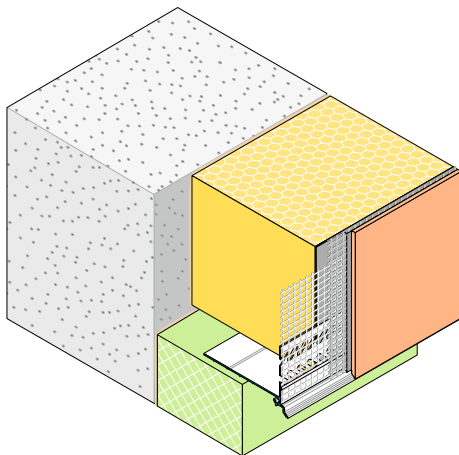
Other applications	Any applications not clearly described in the documents may be implemented only after consultation with the plaster or ETICS manufacturer.
Perimeter insulation	<p>Where the insulating material thickness is 150 mm or more, perimeter insulation is required.</p> <p>For retrospective installation of perimeter insulation</p> <p>▶ see Z16 and Z20 product documents</p> <p>For installation with no perimeter insulation (where the insulating material thickness is 150 mm or more perimeter insulation is required)</p> <p>▶ see Z20 product documents</p>

For information on materials, areas of use, tests and correct application, please refer to our 'General Advice and Information'

Details



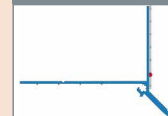
Sectional drawing in mm



Application drawing



W66 - 4



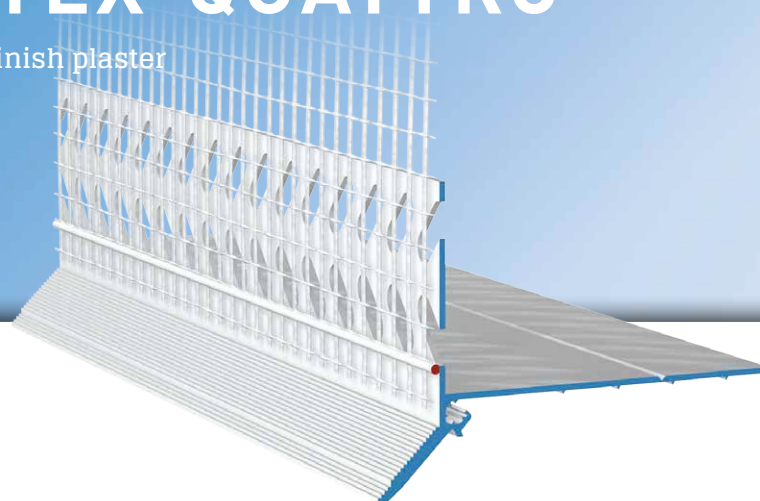
APU®

PROFILES FOR COMPOUND HEAT INSULATION SYSTEMS

Base edge profile

SOKA-TEX-QUATTRO

With edge for float-finish plaster



The **APU base edge profile SOKA-TEX-QUATTRO** is used in compound heat insulation systems as the bottom termination of the wall insulation.

Dependent on insulating material thickness, the base edge profile is pushed in in flexible ways between perimeter insulation and wall insulation. Where insulating material thicknesses differ, the base edge profile can in each instance be extended by 50 mm using the extension for W66 (Z23). The base edge profile forms an exact plaster edge with drip nose.

The base edge profile SOKA-TEX-QUATTRO, with its sloped contour, ensures that water is accurately guided away. There is a fabric window reveal bead welded onto the profile.

Each bar has a fabric overhang on one side of 10cm in the lengthways direction.

The included plug connectors (Z13) and inner and outer corners (Z18-4) enable the profiles to be joined and fitted very precisely.

What is created after completion of the plastering work is a clean termination of the float-finish plaster.



Design

	ITEM NO.	LENGTH	PACKAGING UNIT	WEIGHT (per PU)
--	----------	--------	----------------	-----------------

SOKA-TEX-QUATTRO base edge profile

W66 - 4				
With edge for float-finish plaster	W66-4-2000	2.0 m	25 bars = 50 m	11.7 kg

Features

	SOKA-TEX-QUATTRO BASE EDGE PROFILE
Material	<ul style="list-style-type: none"> ■ Rigid PVC manufactured under DIN 16941
Mesh	<ul style="list-style-type: none"> ■ Min. 160 g/m² approved for compound heat insulation systems ■ 12.5 cm wide – MW 6x6 mm ■ Ultrasonic welded
Accessories	<ul style="list-style-type: none"> ■ Z13-0000 Plug connectors (1 bag) ■ Z18-4-1010i Internal corners (2 pieces) ■ Z18-4-1010a External corners (4 pieces)
Optional accessories	<p>For installing the perimeter insulation later:</p> <ul style="list-style-type: none"> ■ Z16-0060 Mounting bracket 60 mm ■ Z16-0120 Mounting bracket 120 mm ■ Z20-2005 Mounting rail 50 mm ■ Z20-2010 Mounting rail 100 mm ■ Z20-2016 Mounting rail 160 mm <p>For installation without perimeter insulation (insulation material thickness up to 150 mm):</p> <ul style="list-style-type: none"> ■ Z20-2005 Mounting rail 50 mm ■ Z20-2010 Mounting rail 100 mm <p>For insulating material extension:</p> <ul style="list-style-type: none"> ■ Z23-2000 extension for W66 2.0 m

Important information

Other applications	Any applications not clearly described in the documents may be implemented only after consultation with the plaster or ETICS manufacturer.
Perimeter insulation	<p>Where the insulating material thickness is 150 mm or more, perimeter insulation is required.</p> <p>For retrospective installation of perimeter insulation</p> <p>▶ see Z16 and Z20 product documents</p> <p>For installation with no perimeter insulation (where the insulating material thickness is 150 mm or more, perimeter insulation is required)</p> <p>▶ see Z20 product documents</p>

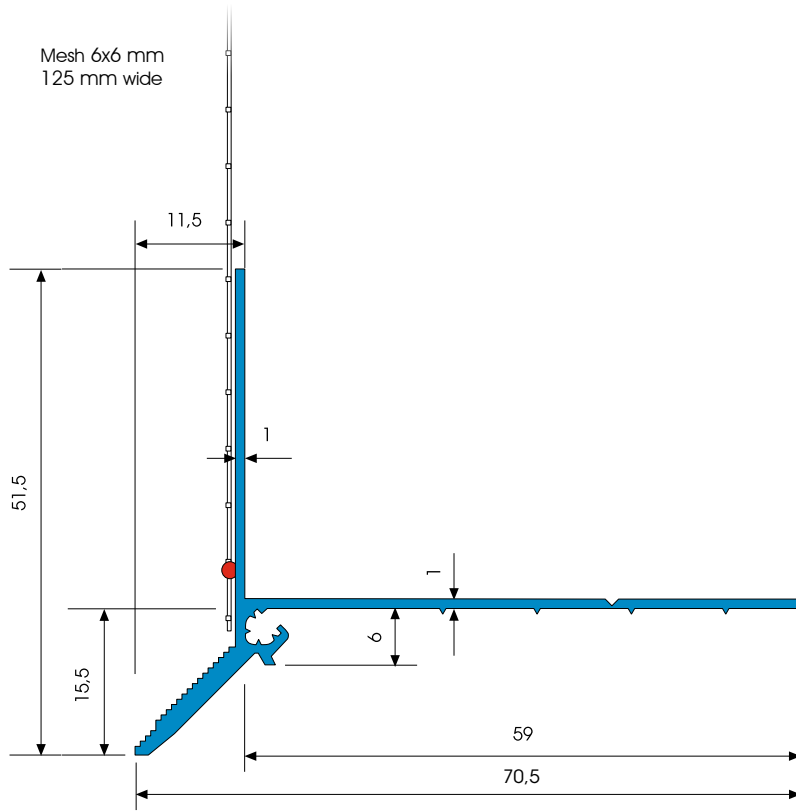
For information on materials, areas of use, tests and correct application, please refer to our 'General Advice and Information'



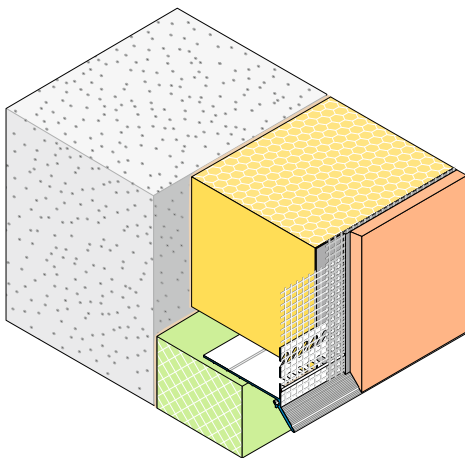
W66 - 4



Details



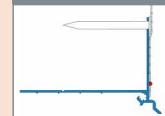
Sectional drawing in mm



Application drawing



W67-2

**APU**[®]

PROFILES FOR COMPOUND HEAT INSULATION SYSTEMS

Base edge profile

SOKA-FIX-DUE

With cranked drip edge and plastic nails



The **APU base edge profile SOKA-FIX-DUE** is used in compound heat insulation systems as the bottom termination of the wall insulation.

Dependent on insulating material thickness, the base edge profile is pushed in in flexible ways between perimeter insulation and wall insulation. Where insulating material thicknesses differ, the base edge profile can in each instance be extended by 50 mm using the APU extension for W66 (Z23). The base edge profile forms an exact plaster edge with drip nose.

The base edge profile SOKA-FIX-DUE, with its cranked contour, ensures that water is accurately guided away. There is a fabric window reveal bead welded onto the profile. Each bar has a fabric overhang on one side of 10cm in the lengthways direction. For fixing the profile in place, pre-punched holes for the plastic nails (Z21) are integrated in the plaster bar. The included plug connectors (Z13) and inner and outer corners (Z18-2) enable the profiles to be joined and fitted very precisely.

What is created after completion of the plastering work is a clean termination of the plaster.



Design

	ITEM NO.	LENGTH	PACKAGING UNIT	WEIGHT (per PU)
--	----------	--------	----------------	-----------------

SOKA-TEX-DUE base edge profile

W67-2				
With cranked drip edge and plastic nails	W67-2-2000	2.0 m	25 bars = 50 m	10.2 kg

Features

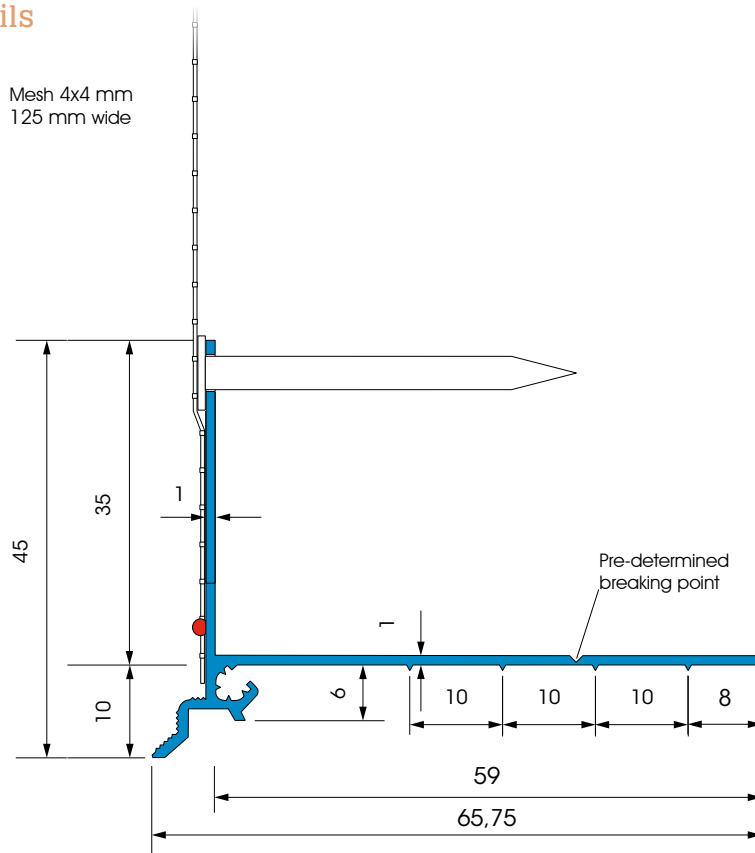
	SOKA-FIX-DUE BASE EDGE PROFILE
Material	<ul style="list-style-type: none"> ■ Rigid PVC manufactured under DIN 16941
Mesh	<ul style="list-style-type: none"> ■ Min. 160 g/m² approved for compound heat insulation systems ■ 12.5 cm wide – MW 4x4 mm ■ Ultrasonic welded
Accessories	<ul style="list-style-type: none"> ■ Z13-0000 Plug connectors (1 bag) ■ Z18-2-1010i Internal corners (2 pieces) ■ Z18-2-1010a External corners (4 pieces) ■ Z21-2050 Plastic nails (1 bag)
Optional accessories	<p>For installing the perimeter insulation later:</p> <ul style="list-style-type: none"> ■ Z16-0060 Mounting bracket 60 mm ■ Z16-0120 Mounting bracket 120 mm ■ Z20-2005 Mounting rail 50 mm ■ Z20-2010 Mounting rail 100 mm ■ Z20-2016 Mounting rail 160 mm <p>For installation without perimeter insulation (insulation material thickness up to 150 mm):</p> <ul style="list-style-type: none"> ■ Z20-2005 Mounting rail 50 mm ■ Z20-2010 Mounting rail 100 mm <p>For insulating material extension:</p> <ul style="list-style-type: none"> ■ Z23-2000 extension for W66 2.0 m

Important information

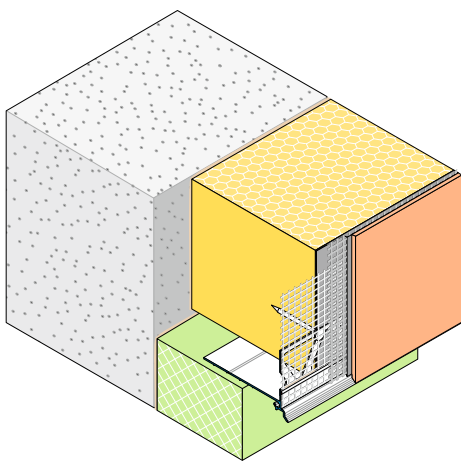
Other applications	Any applications not clearly described in the documents may be implemented only after consultation with the plaster or ETICS manufacturer.
Perimeter insulation	<p>Where the insulating material thickness is 150 mm or more, perimeter insulation is required.</p> <p>For retrospective installation of perimeter insulation</p> <p>▶ see Z16 and Z20 product documents</p> <p>For installation with no perimeter insulation</p> <p>▶ see Z20 product documents</p>

For information on materials, areas of use, tests and correct application, please refer to our 'General Advice and Information'

Details



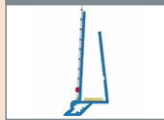
Sectional drawing in mm



Application drawing



W80 - 10



W80 - 12



W80 - 15



W80 - 20

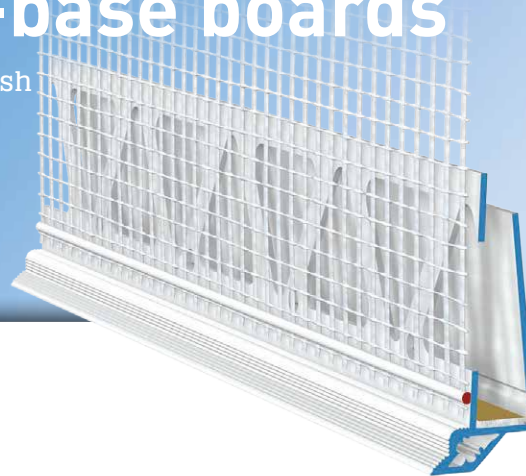


APU®

PROFILES FOR COMPOUND HEAT INSULATION SYSTEMS

Clip-on profile for plaster-base boards

With drip edge and 12.5 cm mesh



The **APU clip-on profile for plaster-base boards** (10 mm, 12 mm, 15 mm and 20 mm) is used horizontally in compound heat insulation systems, e.g., where plaster abuts with the cases of roller shutters or of external Venetian blinds.

The cranked profile contour provides a reliable solution in respect of downward guidance of water.

The profile has a punched plaster bar. Welded onto the bar is a fabric strip. Each bar has a fabric overhang on one side of c. 10cm in the lengthways direction. For the fixing to the plaster-base board there is a strip of PE foam tape on the inside on the bottom bar. For improved hold, the front and rear limbs are pre-tensioned. The included plug connectors (Z13) enable the profiles to be joined and fitted very precisely. What is created after completion of the plastering work is a clean termination of the plaster.



Design

	ITEM NO.	LENGTH	PACKAGING UNIT	WEIGHT (per PU)
--	----------	--------	----------------	-----------------

Clip-on profile for plaster-base boards

With drip edge and 12.5 cm mesh

W80 - 10 10 mm	W80-2010	2.0 m	25 bars = 50 m	8.6 kg
W80 - 12 12 mm	W80-2012	2.0 m	25 bars = 50 m	8.6 kg
W80 - 15 15 mm	W80-2015	2.0 m	25 bars = 50 m	8.6 kg
W80 - 20 20 mm	W80-2020	2.0 m	25 bars = 50 m	8.6 kg

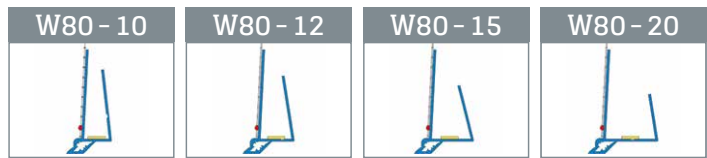
Features

	CLIP-ON PROFILE
Material	<ul style="list-style-type: none"> ■ Rigid PVC manufactured under DIN-16941
Fixation	<ul style="list-style-type: none"> ■ PE foam tape 7 x 1 mm
Mesh	<ul style="list-style-type: none"> ■ Min. 160 g/m² approved for compound heat insulation systems ■ 12.5 cm wide – MW 4 x 4 mm ■ Ultrasonic welded
Accessories	<ul style="list-style-type: none"> ■ Z13-0000 Plug connectors (1 bag)

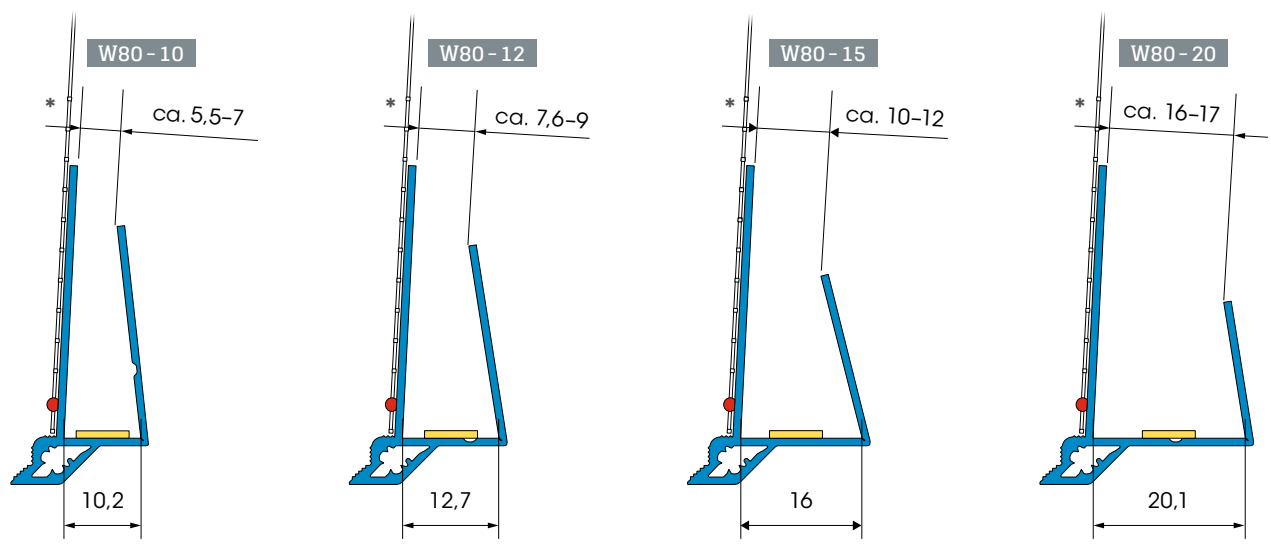
Important information

Storage	Always store profiles laid down in a dry place.
Other applications	Any applications not clearly described in the documents may be implemented only after consultation with the plaster or ETICS manufacturer.

For information on materials, areas of use, tests and correct application, please refer to our 'General Advice and Information'

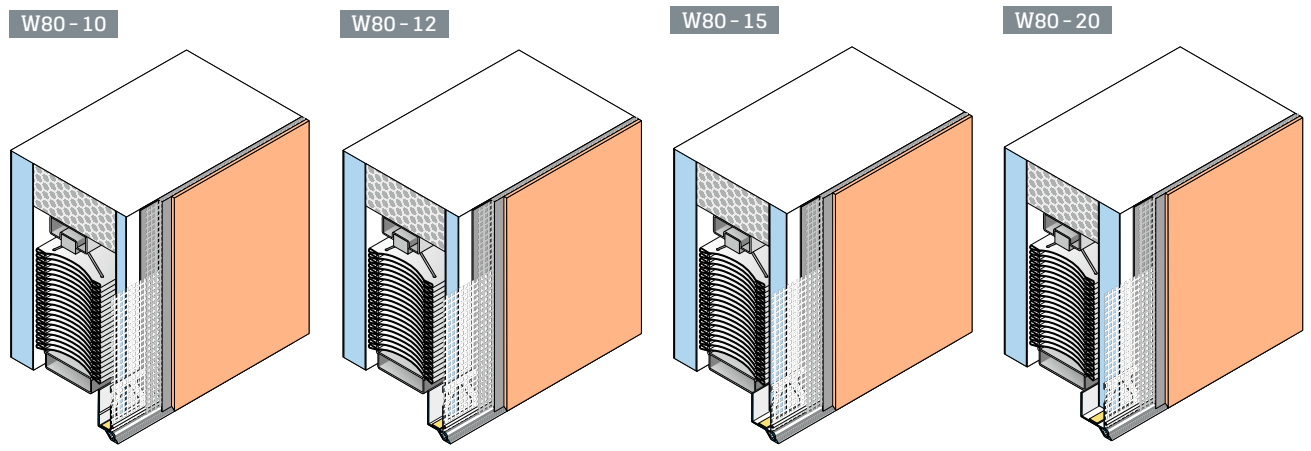


Details



Sectional drawings in mm

* Mesh 4x4 mm
125 mm wide



Application drawings



W81

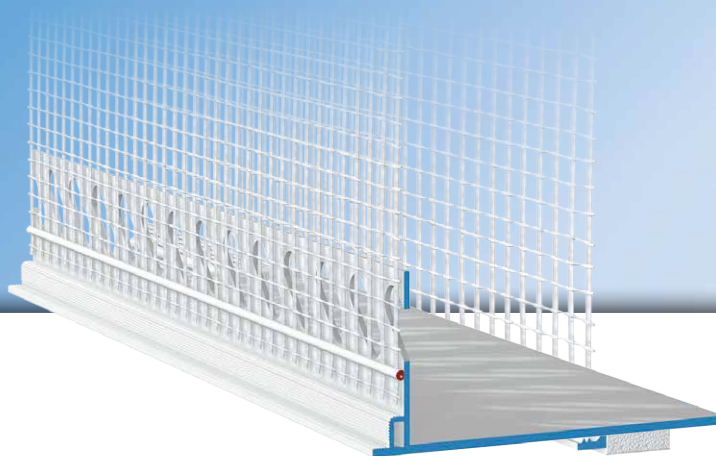


APU®

PROFILES FOR COMPOUND HEAT INSULATION SYSTEMS

Joint flank profile

With straight edge and 12.5 cm mesh



The **APU joint flank profile** is used in compound heat insulation systems for flush plaster joints with existing structural components such as door and window elements and frames. It is put directly on top of the insulation at a distance from the structural element. The watertight seal (e.g., with a PUR sealing strip) is not included and must be done in accordance with the respective manufacturer's specifications on planning and dimensions. After completion of the plastering work the profile forms a flush, clean termination of the plaster.

The profile has a welded fabric strip. Each bar has a fabric overhang on one side of 10cm in the lengthways direction. The rear mounting limb is available in 2 different overhang lengths:

W81-30 APU joint flank profile, 30mm limb width

W81-60 APU joint flank profile, 60mm limb width

The included plug connectors (Z14) connect the profiles as a flush joint in the area where the pieces abut. The corner is formed using prefabricated corner pieces (Z81-30 or Z81-60). These are not included in the scope of delivery.



Design

	ITEM NO.	LENGTH	PACKAGING UNIT	WEIGHT (per PU)
--	----------	--------	----------------	-----------------

Joint flank profile

W81 - 30				
30 mm wide, with straight edge and 12.5 cm mesh	W81-2530	2.5 m	15 bars = 37.5 m	6.4 kg
W81 - 60				
60 mm wide, with straight edge and 12.5 cm mesh	W81-2560	2.5 m	15 bars = 37.5 m	9.6 kg

Features

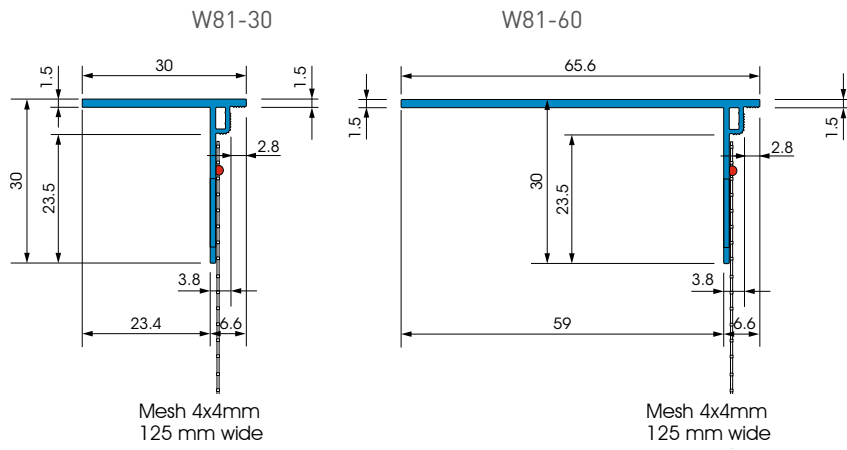
	JOINT FLANK PROFILE
Material	<ul style="list-style-type: none"> ■ Rigid PVC manufactured under DIN-16941
Mesh	<ul style="list-style-type: none"> ■ Min. 160 g/m² approved for compound heat insulation systems ■ 12.5 cm wide – MW 4x4 mm ■ Ultrasonic welded
Accessories	<ul style="list-style-type: none"> ■ Z14-2000 APU plug connectors, small
Optional accessories	<ul style="list-style-type: none"> ■ Z81-0030 APU joint flank profile, corner piece, 30 mm limb width ■ Z81-0060 APU joint flank profile, corner piece, 60 mm limb width

Important information

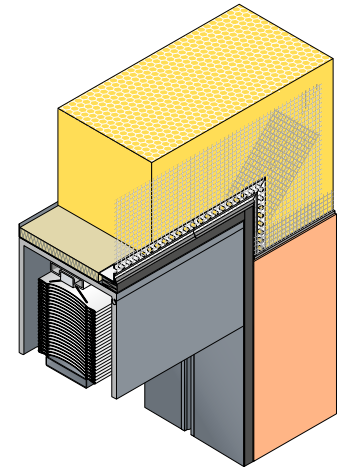
Storage	Always store profiles laid down in a dry place.
Scope of delivery	The sealing tape/strip is not included with the product.
Other applications	Any applications not clearly described in the documents may be implemented only after consultation with the plaster or ETICS manufacturer.
Selection criteria	Adhere to the latest APU selection criteria. ▶ <i>see APU selection criteria</i>

For information on materials, areas of use, tests and correct application, please refer to our 'General Advice and Information'

Design



Sectional drawing in mm



Application drawing



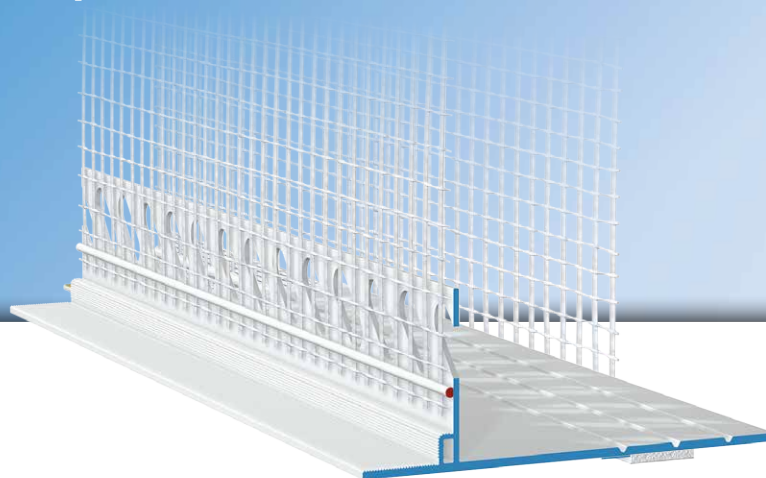
W81 - K

APU[®]

PROFILES FOR COMPOUND HEAT INSULATION SYSTEMS

Joint flank profile - K

With edge for float-finish plaster and 12.5 cm mesh



The **APU joint flank profile** is used in compound heat insulation systems for flush plaster joints with existing structural components such as door and window elements and frames. It is put directly on top of the insulation at a distance from the structural element. The watertight seal (e.g., with a PUR sealing strip) is not included and must be done in accordance with the respective manufacturer's specifications on planning and dimensions. After completion of the plastering work the profile forms a flush, clean termination of the plaster. The profile contour enables the application of a thick layer of plaster / float-finish plaster.

The profile has a welded fabric strip. Each bar has a fabric overhang on one side of 10cm in the lengthways direction. The rear mounting wing has a wing width of 60 mm and can if necessary be shortened at one of the intended break points to 30 mm, 40 mm or 50 mm.

The included plug connectors (Z14) connect the profiles as a flush joint in the area where the pieces abut.

The corner is formed using prefabricated corner pieces (Z81-K-60). These are not included in the scope of delivery.



W81 - K



Design

	ITEM NO.	LENGTH	PACKAGING UNIT	WEIGHT (per PU)
--	----------	--------	----------------	-----------------

Joint flank profile - K

W81 - K

With edge for float-finish plaster and 12.5 cm mesh **W81-K-2560** 2.5 m 15 bars = 37.5 m 10.5 kg

Features

	JOINT FLANK PROFILE - K
Material	■ Rigid PVC manufactured under DIN-16941
Mesh	■ Min. 160 g/m ² approved for compound heat insulation systems ■ 12.5 cm wide – MW 6 x 6 mm ■ Ultrasonic welded
Accessories	■ Z14-2000 APU plug connectors, small
Optional accessories	■ Z81-K-0060 APU joint flank profile, corner piece, 60 mm limb width

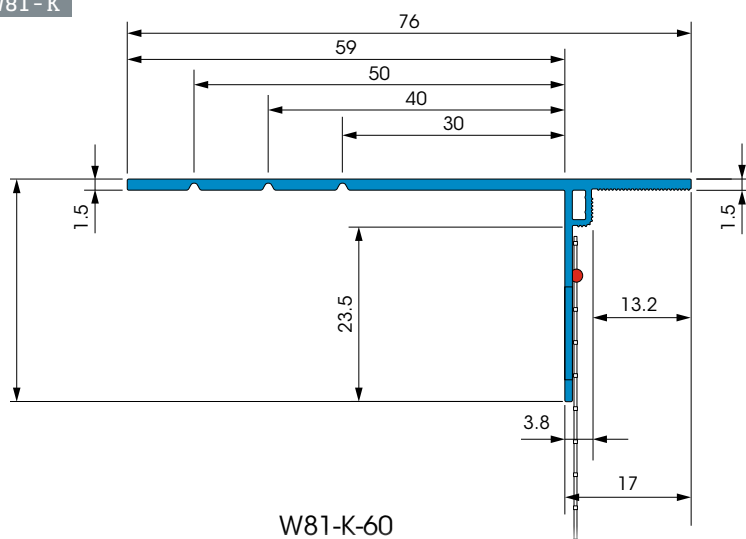
Important information

Storage	Always store profiles laid down in a dry place.
Scope of delivery	The sealing tape/strip is not included with the product.
Other applications	Any applications not clearly described in the documents may be implemented only after consultation with the plaster or ETICS manufacturer.
Selection criteria	Adhere to the latest APU selection criteria. ▶ see <i>APU selection criteria</i>

For information on materials, areas of use, tests and correct application, please refer to our 'General Advice and Information'

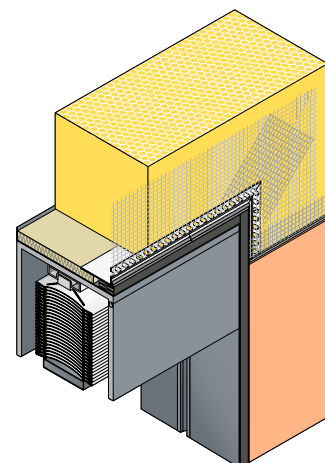
Details

W81 - K



W81-K-60

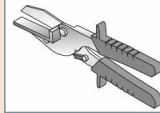
Sectional drawing in mm



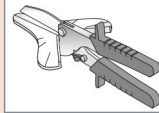
Application drawing



Z10



Z11



Z12

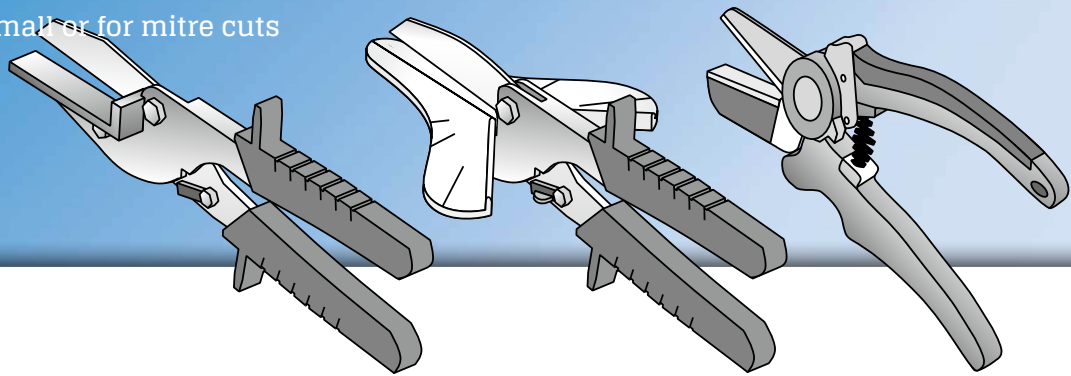


APU®

PROFILES FOR COMPOUND HEAT INSULATION SYSTEMS

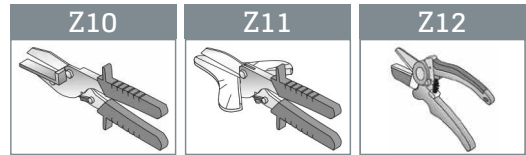
Trimming shears with supporting surface

Large, small or for mitre cuts



The **APU trimming shears / mitre cutting shears** are used for working on the various plastic profiles and cutting them to length.

The large trimming shears with supporting surface (Z10) enable you to cut larger profiles (e.g., W66) to the precise size. The mitre cutters (Z11) enable the profiles in corner areas to be cut to the precise mitre. Using the small trimming shears with supporting surface (Z12), smaller profiles can be correctly cut to length.

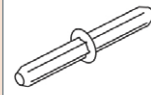


Design

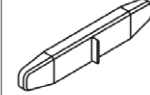
	ITEM NO.	LENGTH	PACKAGING UNIT	WEIGHT (per PU)
Z10 Large	Z10-0000		1 unit	0.2 kg
Z11 For mitre cut	Z11-0000		1 unit	0.2 kg
Z12 Small	Z12-0000		1 unit	0.3 kg



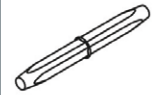
Z13



Z14



Z15

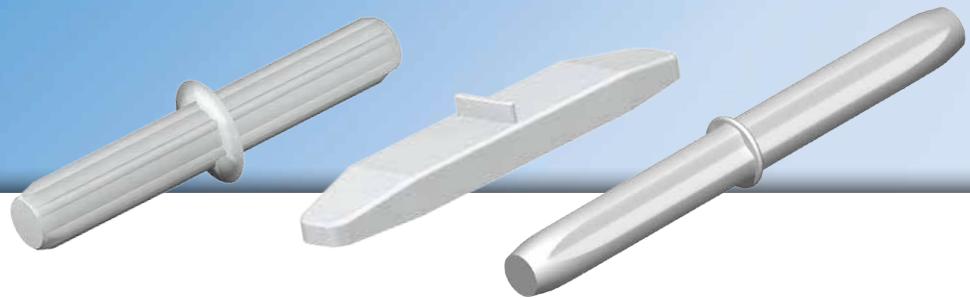


APU[®]

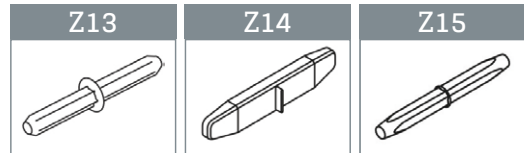
PROFILES FOR COMPOUND HEAT INSULATION SYSTEMS

Plug connectors

Round, small or mini



The **APU plug connectors** are ideal for secure, flush connection of APU profiles. In each instance, the appropriate plug connector (Z13, Z14 or Z15) is inserted into the cavity provided on the end of the profile and connected with a perfect fit to the next profile. The plug connectors are included as accessories in the profiles' packaging unit.



Design

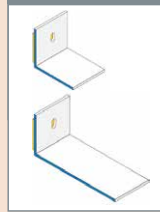
	ITEM NO.	PACKAGING UNIT	WEIGHT (per PU)
Plug connectors			
Z13 round	Z13-0000	1200 units · 40 bags in a box	0.4 kg
Z14 Small	Z14-0000	1200 units · 40 bags in a box	0.4 kg
Z15 Mini	Z15-0000	900 units · 30 bags in a box	0.4 kg

Features

	PLUG CONNECTORS																																																			
Material	■ Plastic																																																			
Suitable for	<p>Z13 Plug connector, round</p> <table border="0"> <tr> <td>A23</td> <td>W40-3</td> <td>W62-0</td> <td>W64-4</td> <td>W80-12</td> </tr> <tr> <td>W11</td> <td>W40-4</td> <td>W62-1</td> <td>W66-0</td> <td>W80-20</td> </tr> <tr> <td>W12</td> <td>W45-8</td> <td>W62-2</td> <td>W66-1</td> <td></td> </tr> <tr> <td>W15</td> <td>W45-11</td> <td>W62-4</td> <td>W66-2</td> <td></td> </tr> <tr> <td>W40-0</td> <td>W51</td> <td>W64-0</td> <td>W66-4</td> <td></td> </tr> <tr> <td>W40-1</td> <td>W52</td> <td>W64-1</td> <td>W67-2</td> <td></td> </tr> <tr> <td>W40-2</td> <td>W60-0</td> <td>W64-2</td> <td>W80-10</td> <td></td> </tr> </table> <p>Z14 Plug connector, small</p> <table border="0"> <tr> <td>W36 - pro</td> <td>PUR-FIX-N-PRO window reveal bead with mesh</td> </tr> <tr> <td>W36 - plus</td> <td>mesh</td> </tr> <tr> <td>W41</td> <td>PUR-FIX-N-PRO window reveal bead with mesh</td> </tr> <tr> <td>W42</td> <td>mesh</td> </tr> <tr> <td>W43</td> <td>FEBA-TEX-ATTIKA stop bead with mesh</td> </tr> <tr> <td>W58</td> <td>FEBA-TEX-UNI stop bead with mesh</td> </tr> <tr> <td>W81</td> <td>FEBA-DUO-TEX stop bead with mesh</td> </tr> </table> <p>Z15 Plug connector, mini</p> <table border="0"> <tr> <td>W46</td> <td>PUR-FIX flashing bead</td> </tr> </table>	A23	W40-3	W62-0	W64-4	W80-12	W11	W40-4	W62-1	W66-0	W80-20	W12	W45-8	W62-2	W66-1		W15	W45-11	W62-4	W66-2		W40-0	W51	W64-0	W66-4		W40-1	W52	W64-1	W67-2		W40-2	W60-0	W64-2	W80-10		W36 - pro	PUR-FIX-N-PRO window reveal bead with mesh	W36 - plus	mesh	W41	PUR-FIX-N-PRO window reveal bead with mesh	W42	mesh	W43	FEBA-TEX-ATTIKA stop bead with mesh	W58	FEBA-TEX-UNI stop bead with mesh	W81	FEBA-DUO-TEX stop bead with mesh	W46	PUR-FIX flashing bead
A23	W40-3	W62-0	W64-4	W80-12																																																
W11	W40-4	W62-1	W66-0	W80-20																																																
W12	W45-8	W62-2	W66-1																																																	
W15	W45-11	W62-4	W66-2																																																	
W40-0	W51	W64-0	W66-4																																																	
W40-1	W52	W64-1	W67-2																																																	
W40-2	W60-0	W64-2	W80-10																																																	
W36 - pro	PUR-FIX-N-PRO window reveal bead with mesh																																																			
W36 - plus	mesh																																																			
W41	PUR-FIX-N-PRO window reveal bead with mesh																																																			
W42	mesh																																																			
W43	FEBA-TEX-ATTIKA stop bead with mesh																																																			
W58	FEBA-TEX-UNI stop bead with mesh																																																			
W81	FEBA-DUO-TEX stop bead with mesh																																																			
W46	PUR-FIX flashing bead																																																			



Z16

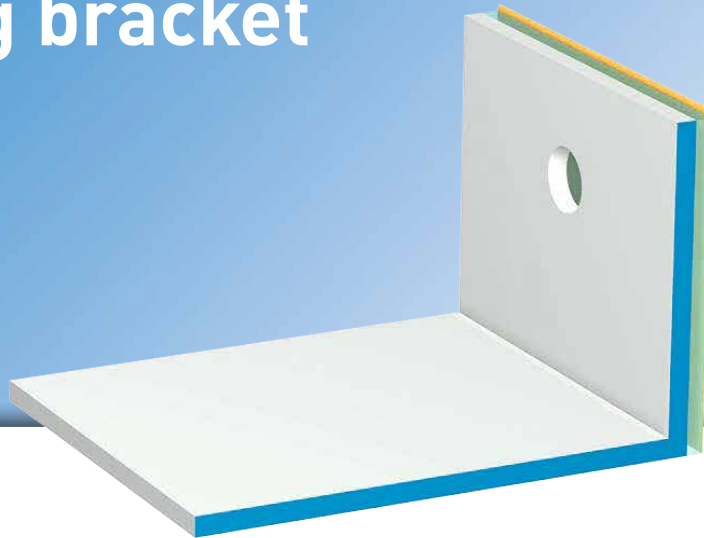


APU®

PROFILES FOR COMPOUND HEAT INSULATION SYSTEMS

Mounting bracket

For W66 and W67



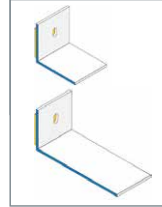
The **APU mounting brackets** are used around the base as an installation aid for the wall insulation.

If the perimeter insulation is being fitted retrospectively, the wall insulation panels must be placed onto the self-adhesive mounting brackets (2 brackets per running metre).

The bracket is available in 2 different projections (60 mm and 120 mm).



Z16



Design

	ITEM NO.	PACKAGING UNIT	WEIGHT (per PU)
--	----------	----------------	-----------------

Mounting bracket

Z16			
60 mm	Z16-0060	100 units · 4 bags in a box	3.2 kg
120 mm	Z16-0120	100 units · 4 bags in a box	3.5 kg

Features

	MOUNTING BRACKET	
Material	■ Rigid PVC manufactured under DIN-16941	
Suitable for	W66-0	SOKA-TEX-ZERO base edge profile
	W66-1	SOKA-TEX-UNO base edge profile
	W66-2	SOKA-TEX-DUE base edge profile
	W66-4	SOKA-TEX-QUATTRO base edge profile
	W67-2	SOKA-FIX-DUE base edge profile

Important information

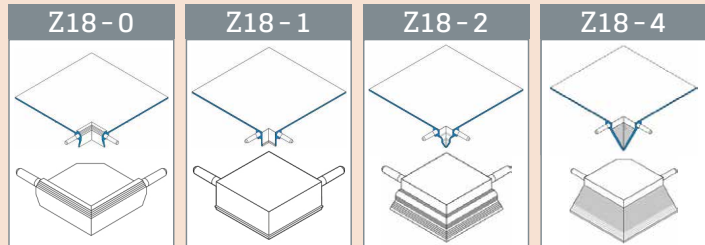
Other applications	Any applications not clearly described in the documents may be implemented only after consultation with the plaster or ETICS manufacturer.
Perimeter insulation	For installation with no perimeter insulation ▶ see Z20 product documents

For information on materials, areas of use, tests and correct application, please refer to our 'General Advice and Information'



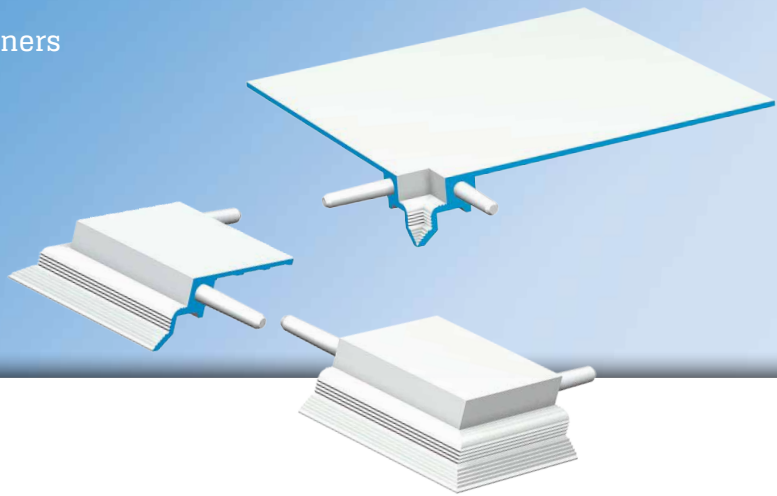
APU[®]

PROFILES FOR COMPOUND HEAT INSULATION SYSTEMS



Corner connectors

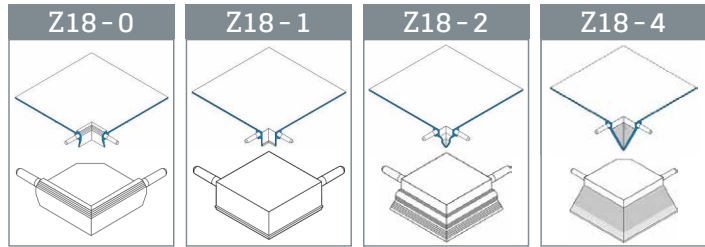
For internal and external corners



Using the **APU corner connectors** Z18-i (for inner corners) and Z18-a (for outer corners), clean, precise corners can be formed quickly and easily.

The pins on the left and right of the corner connectors are inserted into the respective profiles and thus connected together.

All profile edges then terminate flush with each other.



Design

	ITEM NO.	PACKAGING UNIT	WEIGHT (per PU)
--	----------	----------------	-----------------

Corner connectors

Z18-0

■ For W40-0 / W61-0 / W66-0

Internal corner	Z18-0-1010i		0.6 kg
External corner	Z18-0-1010a	100 units · 10 bags in a box	0.6 kg

Z18-1

■ For W40-1 / W61-1 / W66-1

Internal corner	Z18-1-1010i		0.5 kg
External corner	Z18-1-1010a	100 units · 10 bags in a box	0.5 kg

Z18-2

■ For W40-2 / W61-2 / W66-2 / W67-2

Internal corner	Z18-2-1010i		0.5 kg
External corner	Z18-2-1010a	100 units · 10 bags in a box	0.5 kg

Z18-4

■ For W40-4 / W61-4 / W66-4

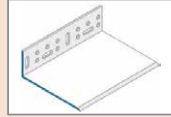
Internal corner	Z18-4-1010i		0.5 kg
External corner	Z18-4-1010a	100 units · 10 bags in a box	0.5 kg

Features

CORNER CONNECTORS	
Material	■ Plastic
Suitable for	<p>Z18-0 Corner connectors</p> <p>W40-0 DROP-TEX-ZERO stop bead with mesh W61-0 SOLI-TEX-ZERO base rail W66-0 SOKA-TEX-ZERO base edge profile</p> <p>Z18-1 Corner connectors</p> <p>W40-1 DROP-TEX-UNO stop bead with mesh W61-1 SOLI-TEX-UNO base rail W66-1 SOKA-TEX-UNO base edge profile</p> <p>Z18-2 Corner connectors</p> <p>W40-2 DROP-TEX-DUE stop bead with mesh W61-2 SOLI-TEX-DUE base rail W66-2 SOKA-TEX-DUE base edge profile W67-2 SOKA-FIX-DUE base edge profile</p> <p>Z18-4 Corner connectors</p> <p>W40-4 DROP-TEX-QUATTRO stop bead with mesh W61-4 SOLI-TEX-QUATTRO base rail W66-4 SOKA-TEX-QUATTRO base edge profile</p>



Z20

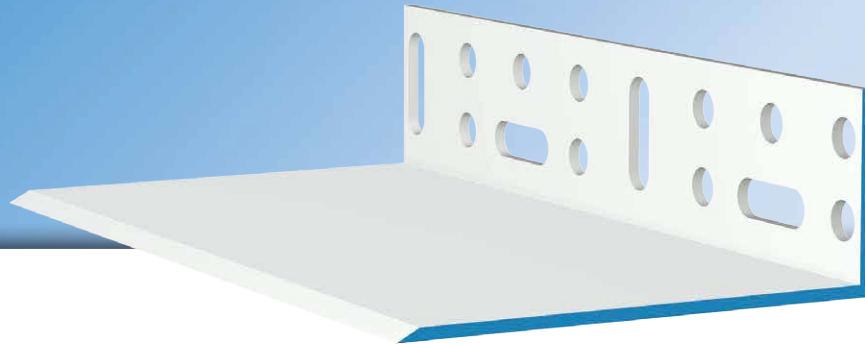


APU®

PROFILES FOR COMPOUND HEAT INSULATION SYSTEMS

Mounting rail

For W66 and W67-2



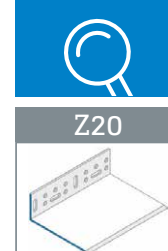
The **APU mounting rail** forms, together with the APU base edge profile W66 and W67-2, a wall insulation's bottom termination.

The rail gets fixed to the wall.

It is available in 3 projection lengths (50 mm, 100 mm and 160 mm) and can thus be flexibly used in combination with the APU base edge profile W66 and the APU extension rail Z23 up to an insulating material depth of 300 mm.

Where the insulating material thickness is 150 mm or more, perimeter insulation is required.

Finally, the base edge profile (W66) is pushed in between insulation and mounting rail and plastered over. At the end of the insulation work, the profiles should overlap by at least 20 mm.



Design

	ITEM NO.	LENGTH	PACKAGING UNIT	WEIGHT (per PU)
--	----------	--------	----------------	-----------------

Mounting rail

Z20

■ For insulating material thicknesses of 50 to 90

mm

50 mm

Z20-2005

2.0 m

15 bars = 30 m

9.5 kg

■ For insulation material thicknesses of 100-140

mm

100 mm

Z20-2010

2.0 m

15 bars = 30 m

16.2 kg

■ For insulation material thicknesses of 160 - 200

mm

160 mm

Z20-2016

2.0 m

15 bars = 30 m

21.1 kg

Features

	MOUNTING RAIL	
Material	■ Rigid PVC manufactured under DIN-16941	
Suitable for	W66-0	SOKA-TEX-ZERO base edge profile
	W66-1	SOKA-TEX-UNO base edge profile
	W66-2	SOKA-TEX-DUE base edge profile
	W66-4	SOKA-TEX-QUATTRO base edge profile
	W67-2	SOKA-FIX-DUE base edge profile

Important information

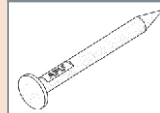
Other applications Any applications not clearly described in the documents may be implemented only after consultation with the plaster or ETICS manufacturer.

Perimeter insulation Where the insulating material thickness is 150 mm or more, perimeter insulation is required.

For information on materials, areas of use, tests and correct application, please refer to our 'General Advice and Information'



Z21

**APU**[®]

PROFILES FOR COMPOUND HEAT INSULATION SYSTEMS

Plastic nails



The **APU plastic nail Z21** serves as a fixing aid and thus makes it easier to set different APU profiles in place.

Thanks to the pre-punched holes on the profiles (W36 - plus, W36 - pro, W67-2), the nails can be fixed in the insulating material without any bonding mortar. In this process, the mesh gets folded forwards and the nail pushed through the hole provided. Afterwards, the profile can be plastered over as normal. Per profile at least 3 nails per running metre should be used.



Design

	ITEM NO.	PACKAGING UNIT	WEIGHT (per PU)
--	----------	----------------	-----------------

Plastic nails

Z21			
	Z21-2050	1000 units · 20 bags in a box	0.6 kg
	Z21-2051	5000 units · loose in a box	2.8 kg

Features

	PLASTIC NAILS	
Material	■ Plastic	
Suitable for	W36-plus W36-pro W67-2	PUR-FIX-N-PLUS window reveal bead with mesh PUR-FIX-N-PRO window reveal bead with mesh SOKA-FIX-DUE base edge profile

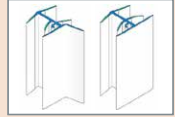
Important information

Other applications	Any applications not clearly described in the documents may be implemented only after consultation with the plaster or ETICS manufacturer.
Cannot be used for	Do not use plastic nails on vacuum insulation panels. For fixing, use instead hot-melt adhesive pads or similar.

For information on materials, areas of use, tests and correct application, please refer to our 'General Advice and Information'



Z22

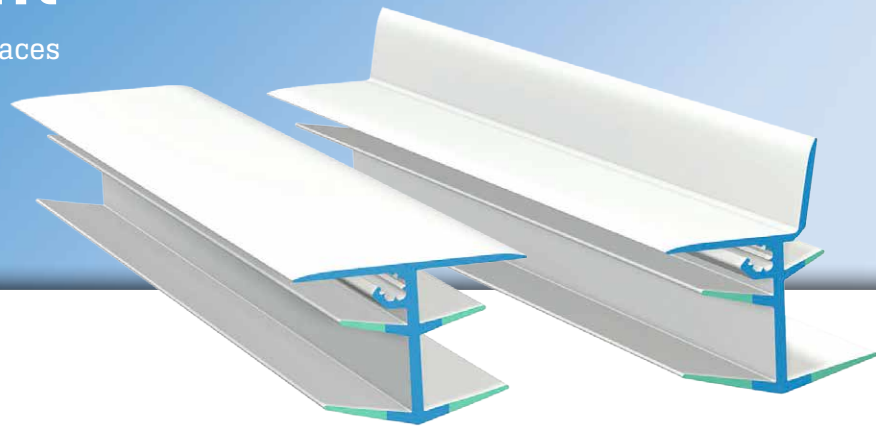


APU[®]

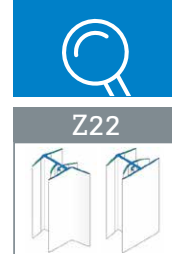
PROFILES FOR COMPOUND HEAT INSULATION SYSTEMS

Cover profile for extension joint

For corners and surfaces



The **APU expansion joint cover profiles** Z22-E (for corners) and Z22-F (for flat surfaces) can be used to hide expansion joint profiles W51 and W52 from view. So that the covering profiles are held firm, a clearance of 20 - 25 mm must be adhered to for the insulation panel opening.



Design

	ITEM NO.	LENGTH	PACKAGING UNIT	WEIGHT (per PU)
--	----------	--------	----------------	-----------------

Cover profile for extension joint

Z22				
■ For corners	Z22-E-2100	2.1 m	25 bars = 52.5 m	11.0 kg
■ For surfaces	Z22-F-2100	2.1 m	25 bars = 52.5 m	9.7 kg

Features

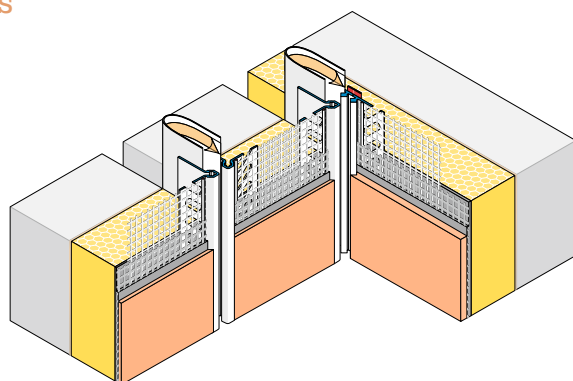
	COVER PROFILE FOR EXTENSION JOINT	
Material	<ul style="list-style-type: none"> ■ Rigid PVC manufactured under DIN-16941 ■ TPE manufactured under DIN-16941 	
Suitable for	W51	DUO-TEX-K expansion joint profile for corners
	W52	DUO-TEX-K expansion joint profile for surfaces

Important information

Storage	Always store profiles laid down in a dry place.
Other applications	Any applications not clearly described in the documents may be implemented only after consultation with the plaster or ETICS manufacturer.
Recommendation	We recommend sticking the expansion joint cover profile Z22 on one side using appropriate PU adhesive/sealant.

For information on materials, areas of use, tests and correct application, please refer to our 'General Advice and Information'

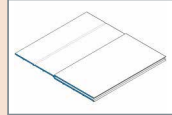
Details



Application drawing



Z23

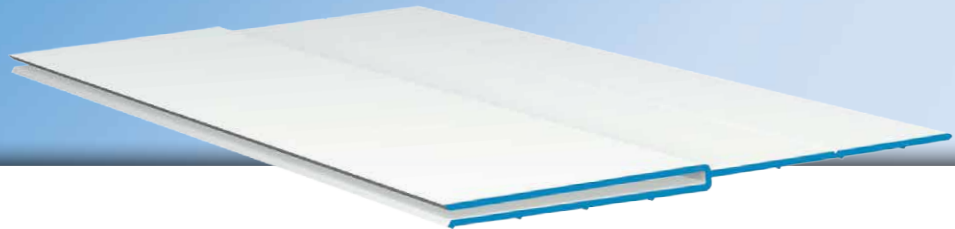


APU[®]

PROFILES FOR COMPOUND HEAT INSULATION SYSTEMS

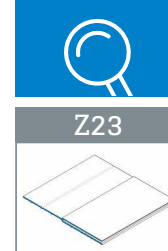
Plastic extension

For W66 and W67



The **APU plastic extension Z23** extends the projection of the base edge profiles W66 by 30 - 50 mm.

In combination with the base edge profile W66 and mounting rail Z20, insulating material thicknesses of up to 300 mm are thus possible. Where the insulating material thickness is 150 mm or more, perimeter insulation is required.



Design

	ITEM NO.	LENGTH	PACKAGING UNIT	WEIGHT (per PU)
--	----------	--------	----------------	-----------------

Plastic extension

Z23				
For W66, from 30 to 50 mm	Z23-2000	2.0 m	25 bars = 50 m	9.0 kg
	Z23-2500	2.5 m	25 bars = 62.5 m	11.5 kg

Features

	PLASTIC EXTENSION	
Material	■ Rigid PVC manufactured under DIN-16941	
Suitable for	W66-0	SOKA-TEX-ZERO base edge profile
	W66-1	SOKA-TEX-UNO base edge profile
	W66-2	SOKA-TEX-DUE base edge profile
	W66-4	SOKA-TEX-QUATTRO base edge profile
	W67-2	SOKA-FIX-DUE base edge profile

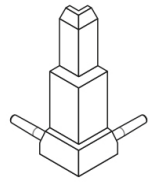
Important information

Storage	Always store profiles laid down in a dry place.
Other applications	Any applications not clearly described in the documents may be implemented only after consultation with the plaster or ETICS manufacturer.
Perimeter insulation	Where the insulating material thickness is 150 mm or more, perimeter insulation is required

For information on materials, areas of use, tests and correct application, please refer to our 'General Advice and Information'



Z46

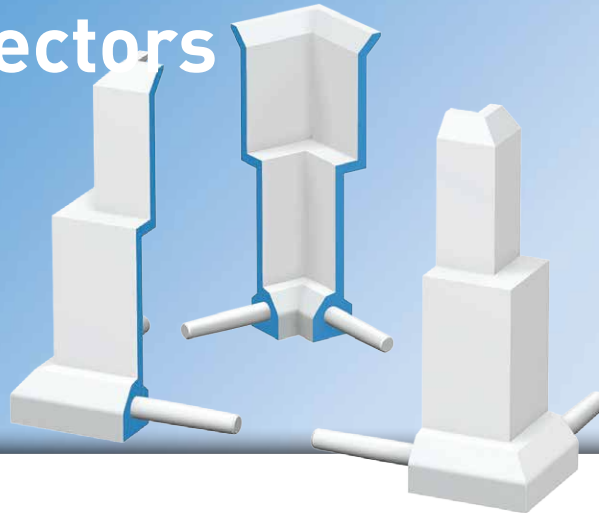


APU®

PROFILES FOR COMPOUND HEAT INSULATION SYSTEMS

Corner connectors

For PUR-FIX W46
flashing bead

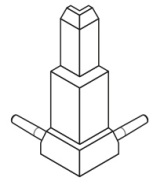


Using the **APU corner connectors** for the PUR-FIX W46 flashing bead for inner corners (Z46-I) and outer corners (Z46-A), clean, precise corners can be formed quickly and easily.

The pins on the left and right of the corner connectors are inserted into the respective profiles and thus connected together.
All profile edges then terminate flush with each other.



Z46



Design

	ITEM NO.	PACKAGING UNIT	WEIGHT (per PU)
--	----------	----------------	-----------------

PUR-FIX sheet metal connecting profile corner connectors

Z46

■ For internal corners	Z46-1010i	100 units · 10 bags in a box	0.5 kg
■ For external corners	Z46-1010a	100 units · 10 bags in a box	0.5 kg

Features

	SLIDE BEARING PROFILE	
Material	■ Plastic	
Suitable for	W46	PUR-FIX flashing bead

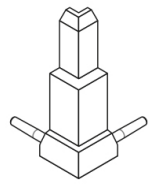
Important information

Other applications Any applications not clearly described in the documents may be implemented only after consultation with the plaster or ETICS manufacturer.

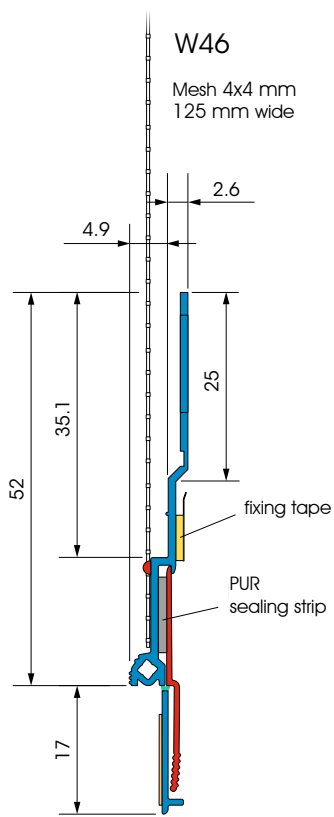
For information on materials, areas of use, tests and correct application, please refer to our 'General Advice and Information'



Z46



Details



Sectional drawing in mm



Z58

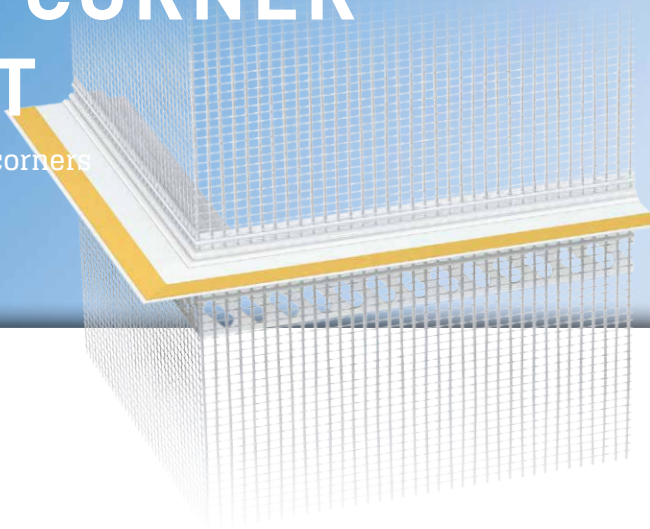


APU®

PROFILES FOR COMPOUND HEAT INSULATION SYSTEMS

Slide bearing profile **PUR-FIX CORNER ELEMENT**

For internal and external corners



Using the **APU slide bearing profile PUR-FIX CORNER PIECES** for inner corners (Z58-I) and outer corners (Z58-A), clean, precise corners can be formed quickly and easily.

By means of the plug connectors provided (Z14) and the brackets (Z58-V) the corner pieces are connected to the incoming slide bearing profile (W58) and a clean, flush corner is produced.



Z58



Design

	ITEM NO.	LENGTH	PACKAGING UNIT	WEIGHT (per PU)
--	----------	--------	----------------	-----------------

PUR-FIX slide bearing profile - corner element

Z58

■ For internal corners	Z58-I-2020	0.2 m	5 units = 1 m	0.6 kg
■ For external corners	Z58-A-2020	0.2 m	5 units = 1 m	0.7 kg

Features

	SLIDE BEARING PROFILE
Material	■ Rigid PVC manufactured under DIN-16941
Protective flap	■ Detachable with soft TPE connection and double-sided adhesive tape
Features	<ul style="list-style-type: none"> ■ PE foam tape 10x3 mm ■ PE foam tape 8x3 mm
Seal	<ul style="list-style-type: none"> ■ PUR sealing strip, 10 mm, type BG1 ■ Watertight for joints of 3-9mm
Mesh	<ul style="list-style-type: none"> ■ Min. 160 g/m² approved for compound heat insulation systems ■ 2 x 12.5 cm wide – MW 4x4 mm ■ Ultrasonic welded
Accessories	<ul style="list-style-type: none"> ■ Z14-0000 Plug connectors (1 bag) ■ Z58-V-0000 Bracket (1 bag)
Suitable for	W58 PUR-FIX slide bearing profile

Important information

Other applications Any applications not clearly described in the documents may be implemented only after consultation with the plaster or ETICS manufacturer.

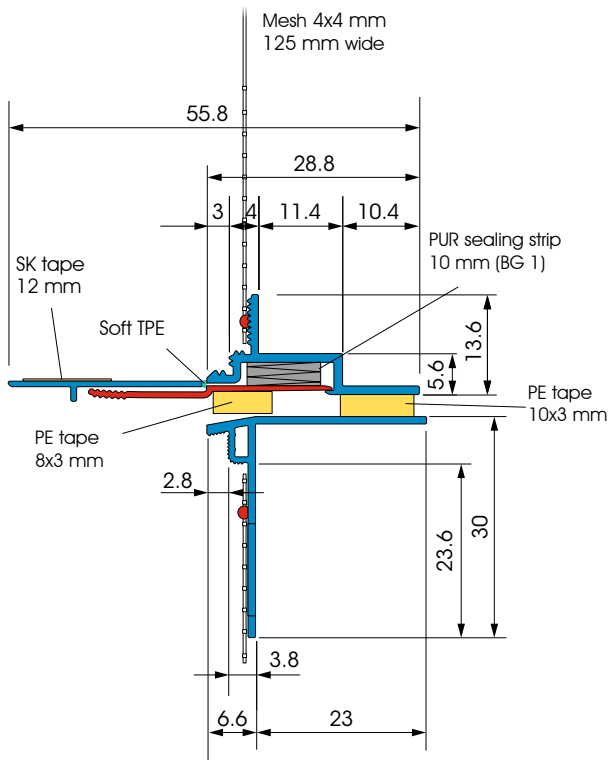
For information on materials, areas of use, tests and correct application, please refer to our 'General Advice and Information'



Z58



Details



Sectional drawing in mm



Z61



APU[®]

PROFILES FOR COMPOUND HEAT INSULATION SYSTEMS

Rail connector

For W61 and Z20



The **APU rail connector** Z61 simplifies the flush, accurate alignment of base units and mounting rails with a material thickness of up to 2.5 mm.

For that purpose, the connectors are cut into parts as required using trimming shears with supporting surface.



Z61



Design

	ITEM NO.	LENGTH	PACKAGING UNIT	WEIGHT (per PU)
--	----------	--------	----------------	-----------------

Rail connector

Z61				
For W61 and Z20	Z61-1000	1.0 m	20 bars = 20 m	1.6 kg

Features

	RAIL CONNECTOR	
Material	■ Rigid PVC manufactured under DIN-16941	
Suitable for	W61	SOLI-TEX-ZERO base rail
	Z20	Mounting rail

Important information

Other applications Any applications not clearly described in the documents may be implemented only after consultation with the plaster or ETICS manufacturer.

For information on materials, areas of use, tests and correct application, please refer to our 'General Advice and Information'



Z63

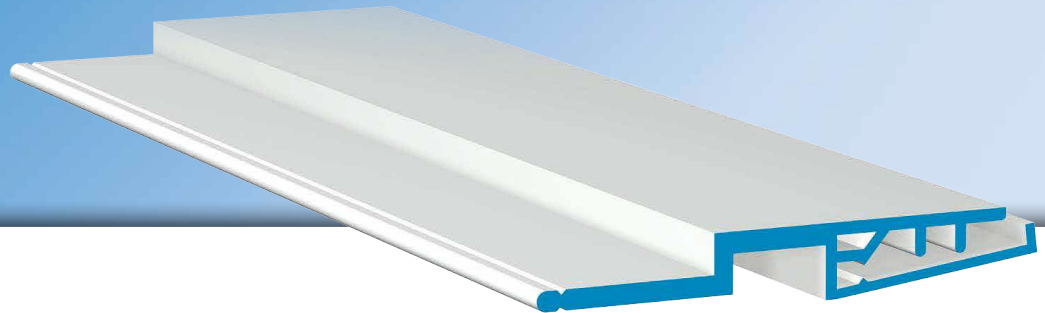


APU®

PROFILES FOR COMPOUND HEAT INSULATION SYSTEMS

Extension rail **SOLI-TEX**

40 mm insulating material extension



The **APU extension rail SOLI-TEX** is used in compound heat insulation systems as an extension of the SOLI-TEX base rail.

Where the insulating material is relatively thick, the extension rail can be used to extend the base rail by 40 mm to 240 mm.

The clip-on profile (W62) can be clipped on at the end and after the plastering work has been completed forms a clean plaster termination.



Design

	ITEM NO.	LENGTH	PACKAGING UNIT	WEIGHT (per PU)
--	----------	--------	----------------	-----------------

SOLI-TEX extension rail

Z63				
40 mm insulating material extension	Z63-2004	2.0 m	10 bars = 20 m	6.8 kg

Features

	EXTENSION RAIL	
Material	■ Rigid PVC manufactured under DIN 16941	
Suitable for	W61-0	SOLI-TEX-ZERO base rail
	W61-1	SOLI-TEX-UNO base rail
	W61-2	SOLI-TEX-DUE base rail
	W61-4	SOLI-TEX-QUATTRO base rail

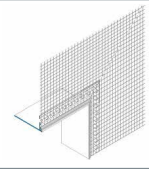
Important information

Other applications Any applications not clearly described in the documents may be implemented only after consultation with the plaster or ETICS manufacturer.

For information on materials, areas of use, tests and correct application, please refer to our 'General Advice and Information'



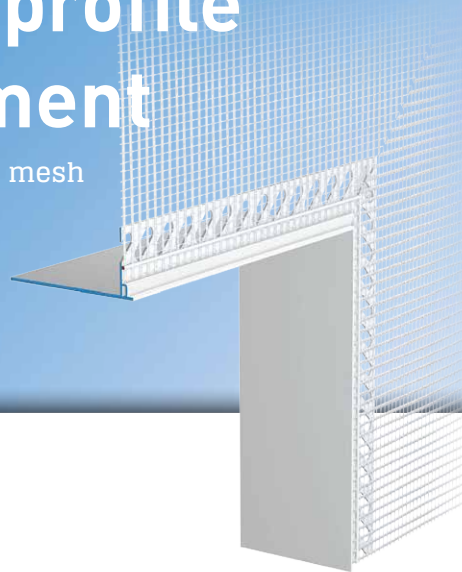
Z81

**APU**[®]

PROFILES FOR COMPOUND HEAT INSULATION SYSTEMS

Joint flank profile corner element

With straight edge and 12.5 cm mesh

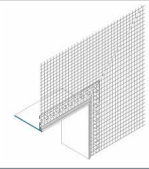


Using the **APU joint flank profile corner element**, it is quick and easy to produce clean and precise corner formations.

Using the plug connectors (Z14) supplied with them, the corner pieces are connected flush with the incoming joint flank profile W81-30 (30mm wide) or W81-60 (60mm wide). In the area where it abuts, the rear limb must be stuck over and thus sealed using suitable adhesive tape.



Z81



Design

	ITEM NO.	LENGTH	PACKAGING UNIT	WEIGHT (per PU)
--	----------	--------	----------------	-----------------

Joint flank profile - corner element

Z81-30 With straight edge and 12.5 cm mesh	Z81-0030	0.2 m	5 units	0.5 kg
Z81-60 With straight edge and 12.5 cm mesh	Z81-0060	0.2 m	5 units	0.7 kg

Features

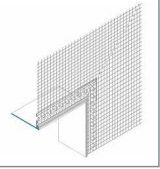
	JOINT FLANK PROFILE - CORNER ELEMENT	
Material	■ Rigid PVC manufactured under DIN-16941	
Mesh	<ul style="list-style-type: none"> ■ Min. 160 g/m² approved for compound heat insulation systems ■ 12.5 cm wide – MW 4x4 mm ■ Ultrasonic welded 	
Accessories	■ Z14-0000 Plug connectors, small	
Suitable for	W81	Joint flank profile

Important information

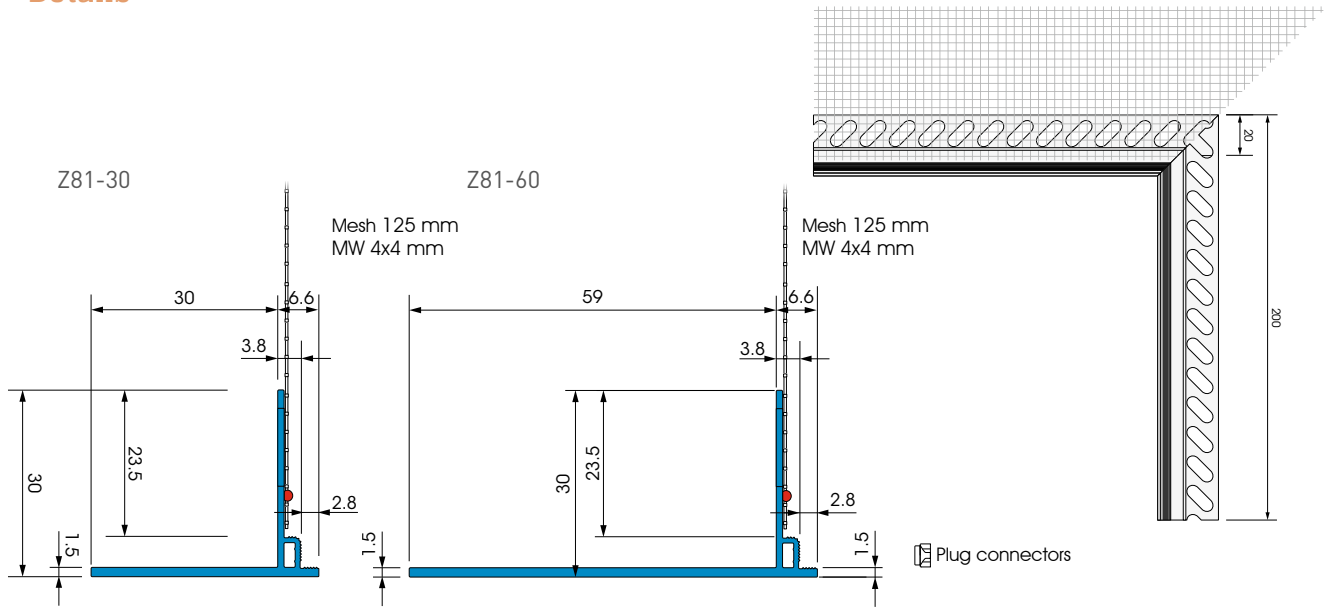
Fitting	see product documentation W81
Other applications	Any applications not clearly described in the documents may be implemented only after consultation with the plaster or ETICS manufacturer.
Seal	The sealing tape/strip is not included with the product.



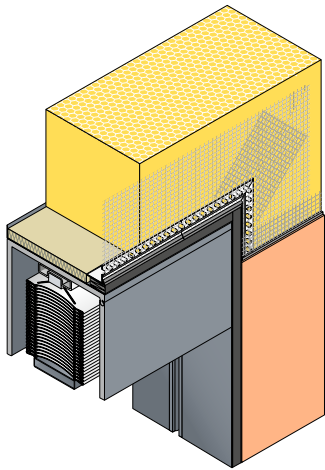
Z81



Details



Sectional drawing in mm



Application drawing



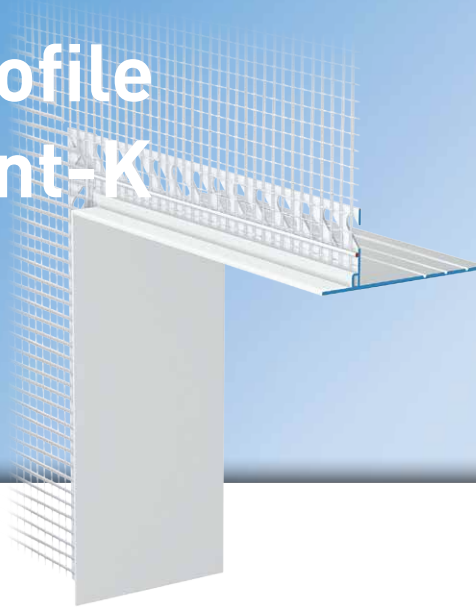
Z81-K

APU[®]

PROFILES FOR COMPOUND HEAT INSULATION SYSTEMS

Joint flank profile corner element-K

With straight edge and 12.5 cm mesh

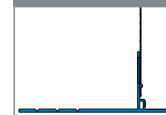


Using the **APU joint flank profile corner** element, it is quick and easy to produce clean and precise corner formations.

Using the plug connectors (Z14) supplied with them, the corner pieces are connected flush with the incoming joint flank profile W81-K. In the area where it abuts, the rear limb must be stuck over and thus sealed using suitable adhesive tape.



Z81-K



Design

	ITEM-NO.	LENGTH	PACKAGING UNIT	WEIGHT (per PU)
--	----------	--------	----------------	-----------------

Joint flank profile - corner element-K

Z81-K

With straight edge and 12.5 cm mesh

Z81-0060-K	0,2m	5 units	0,9 kg
-------------------	------	---------	--------

Ausstattung

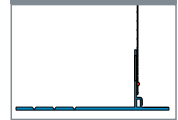
	JOINT FLANK PROFILE - CORNER ELEMENT
Material	■ Rigid PVC manufactured under DIN-16941
Mesh	■ Min. 160 g/m ² approved for compound heat insulation systems ■ 12.5 cm wide – MW 4 x 4 mm ■ Ultrasonic welded
Accessories	■ Z14-0000 Plug connectors, small
Suitable for	W81-K Joint flank profile-K

Wichtige Hinweise

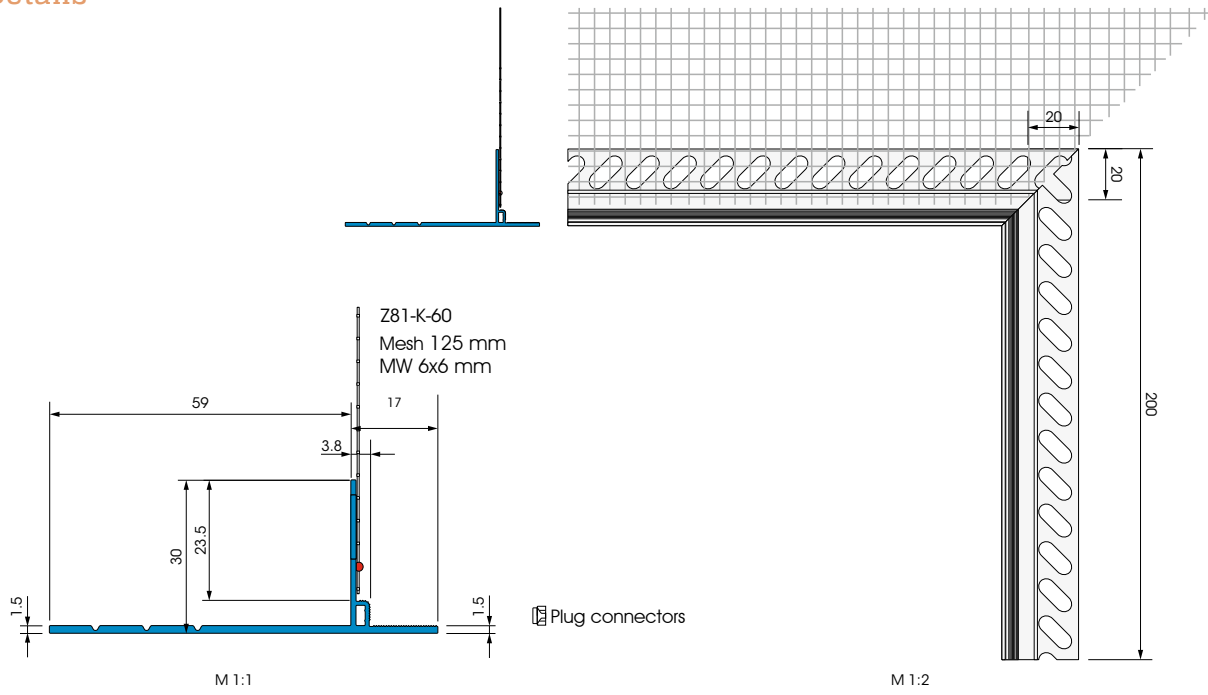
Fitting	see product documentation W81-K
Other applications	Any applications not clearly described in the documents may be implemented only after consultation with the plaster or ETICS manufacturer.
Seal	The sealing tape/strip is not included with the product.



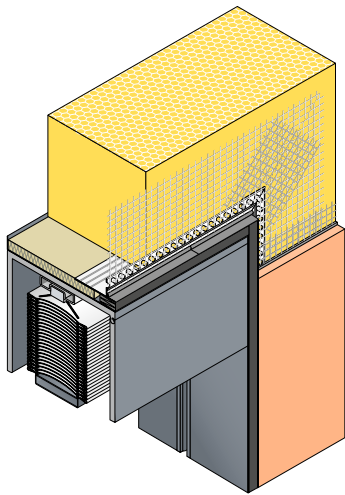
Z81-K



Details



Sectional drawing in mm



Application drawing