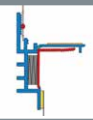




W39



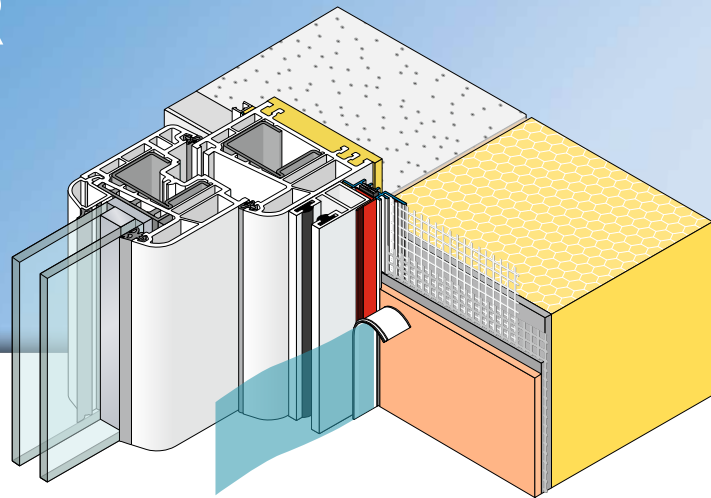
APU®

PROFILES FOR COMPOUND HEAT INSULATION SYSTEMS

Window reveal bead with mesh

PUR-FIX-R

With 12.5 cm mesh



The **APU window reveal bead with mesh PUR-FIX-R** is used in compound heat insulation systems as specified in the latest APU selection criteria. The profile is put in place shortly before the insulation of the reveal, is fixed flush to the side of the roller shutter guide rail and after completion of the plastering work provides a clean and reliable termination of the plaster.

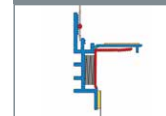
The profile comes with an expanding PUR sealing strip, which ensures a watertight, lasting seal without any sticking directly to the structural element. The PUR sealing strip is impacted lengthways in the profile and has an overhang for sealing the joint. The

PUR sealing strip is able to absorb relatively large movements in the area around the joint. There is a fabric window reveal bead welded onto the profile. Each bar has a fabric overhang on one side of 10cm in the lengthways direction. There is a piece of self-adhesive tape on protective flap in order to secure the third-party protective film. This protects the window during the plastering work. After completion of the work the protective flap and the red activation tab are removed and what is created is a clean plaster edge.

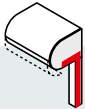
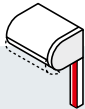
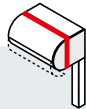
The profile is thus suitable for all standard shutter tracks and can be universally used.



W39



Area of application

FITTING POSITION	 JUNCTION TO THE SIDE	 JUNCTION TO THE FRONT	 JUNCTION TO ROLLER SHUTTER BOX
Sub-surface	Without adhesive connection – suitable for all standard doors and windows ✓ No test of adhesion required		
Insulating material thickness	up to 400 mm		
Window size	up to 15 m ²		
W39 PUR-FIX-R	■	see window reveal bead with meshes	see product documentation W81

Tested according to: ■ VDPM leaflet: Class A without adhesive connection ■ Ö-Norm B 6400-2: Class III

Fitting

- 1 Cut the window reveal bead with mesh to length using suitable trimming shears with supporting surface.
- 2 Pull back the protective flap at top and bottom along the line by about 5 cm (makes removal later easier).
- 3 Pressing firmly with your thumbs, stick the profiles equally spaced and in flush alignment onto the side of the roller shutter guide rail across the entire length. To do this, pull off the covering paper of the self-adhesive PE foam tape.
- 4 Fit insulation as per manufacturer's specifications.
- 5 Prior to the plastering work, pull off the protective flap's covering paper and affix the third-party protective film for protecting the window to the adhesive surface.
- 6 Apply reinforcement base plaster, mesh and final render.
The top-level mesh must be run up to the skimming edge.
- 7 When the plastering and painting work has been finished, remove the protective film.
Fold the protective flap forward and backward along its entire length, hold by the pulled back ends and pull it off to the front.
- 8 Pull red activation tab out at the side

Important information

- Any applications not clearly described in the documents may be implemented only after consultation with the plaster or ETICS manufacturer.
- When the work is being done, the surface temperature must be at least +5 degrees and must not exceed +40 degrees.
- After being set in place on the structural element, profiles with a mesh vane must be promptly embedded. Until then they must be protected from the weather, e.g. sun and wind.
- If the necessary profile length is not available, it is possible in the upper third of the structural element to create a butt joint by butting the profiles up against each other. The protruding PUR sealing strip seals off the butt joint (shorten if necessary).
- To avoid them becoming unduly hot, profiles, especially dark ones, should be shielded from direct sunlight when in storage and prior to being plastered over.
- The processing guidelines of the plaster manufacturer shall be complied with.