



W62 - 1



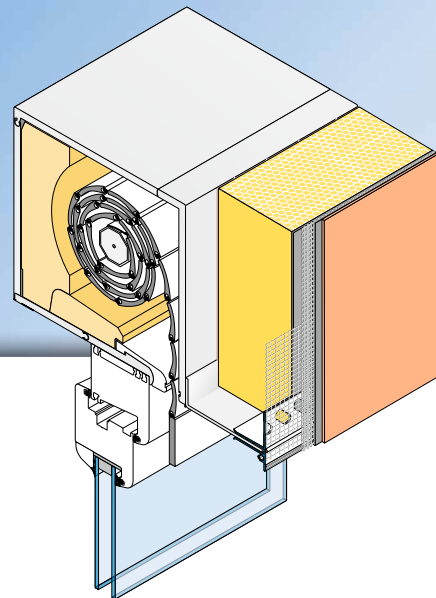
APU®

PROFILES FOR COMPOUND HEAT INSULATION SYSTEMS

Clip-on profile

UNO

With straight drip edge and 12.5 cm mesh



The **APU clip-on profile UNO** is used horizontally in compound heat insulation systems e.g., for plaster joints up against shutter boxes or in the base area. The straight profile contour provides a reliable solution in respect of downward guidance of water.

The profile has a punched plaster bar. Welded onto the plaster limb is a fabric strip. Each bar has a fab-

ric overhang on one side of 10cm in the lengthways direction. The bottom U-bar is used for perfectly fitting attachment to the existing structural element. The included plug connectors (Z13) and inner and outer corners (Z18 - 1) enable the profiles to be joined and fitted very precisely.

What is created after completion of the plastering work is a clean termination of the plaster.



W62 - 1



Fitting

- ❶ Clear the sub-surface of any dust.
- ❷ Above the insulation material edge, apply across the full area c.
15 cm of reinforcement base plaster up to the material's edge.
- ❸ Using trimming shears with supporting surface, cut profile to the desired size.
- ❹ Mount profile onto existing structural element and bring into flush alignment.
- ❺ Join the subsequent profiles with the enclosed plug connectors (Z13).
- ❻ Form inside and outside corners using the Z18 corner connectors provided.
- ❼ Apply reinforcement base plaster over the full area. In doing so, pull the mesh up to the plaster edge and trim.
- ❽ After leaving to stand for the required time, apply covering layer of plaster.

Important information

- Any applications not clearly described in the documents may be implemented only after consultation with the plaster or ETICS manufacturer.
- When the work is being done, the surface temperature must be at least +5 degrees and must not exceed +40 degrees.
- After being set in place on the structural element, profiles with a mesh vane must be promptly embedded. Until then they must be protected from the weather.
- The mesh vane and surface mesh must overlap by at least 10 cm. The surface mesh must be run up to the skimming edge of the profile.
- The processing guidelines of the plaster manufacturer shall be complied with.