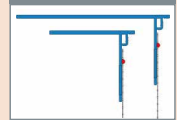




W81

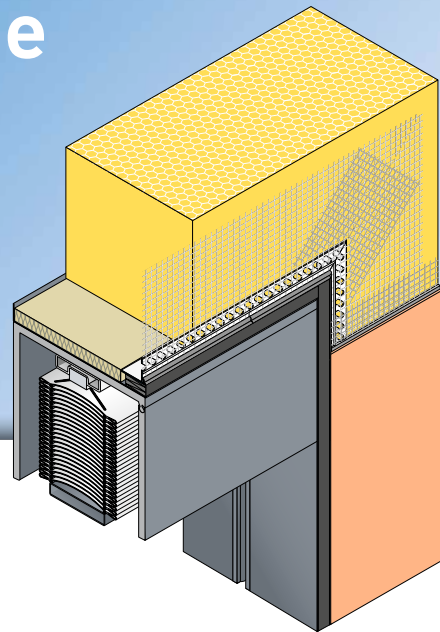


# APU®

PROFILES FOR COMPOUND HEAT INSULATION SYSTEMS

## Joint flank profile

With straight edge and 12.5 cm mesh



The **APU joint flank profile** is used in compound heat insulation systems for flush plaster joints with existing structural components such as door and window elements and frames. It is put directly on top of the insulation at a distance from the structural element. The watertight seal (e.g., with a PUR sealing strip) is not included and must be done in accordance with the respective manufacturer's specifications on planning and dimensions. After completion of the plastering work the profile forms a flush, clean termination of the plaster.

The profile has a welded fabric strip. Each bar has a fabric overhang on one side of 10cm in the lengthways direction. The rear mounting limb is available in 2 different overhang lengths:

W81-30 APU joint flank profile, 30mm limb width  
W81-60 APU joint flank profile, 60mm limb width

The included plug connectors (Z14) connect the profiles as a flush joint in the area where the pieces abut. The corner is formed using prefabricated corner pieces (Z81-30 or Z81-60). These are not included in the scope of delivery.



## Fitting

- 1 Laying of the insulating panels as per manufacturer's specifications.
- 2 The gap between the structural element to be connected to and the insulating panel / profile is to be configured such that the seal (e.g., PUR sealing strip) to be fitted by others is able to absorb the movements that arise and closes the joint in a watertight manner, including against driving rain.
- 3 In order to maintain the equal distance between structural element and insulating panel, it is advisable to use a spacer (e.g., made of EPS struts.)
- 4 Apply layer of reinforcement base plaster c. 15 cm from the insulating material edge across the whole area.
- 5 After an appropriate drying time for the insulating panels, use a suitable adhesive compound to stick the APU joint flank profile to the insulating material and embed the surface area flush to the edges with reinforcement plaster. An additional fixing can, for example, be achieved using the Z21 APU plastic nails.
- 6 Use the prefabricated corner pieces to form the corners (Z81).
- 7 Join the profile with the enclosed plug connectors (Z14). In the area where it abuts, the rear limb must be stuck over and thus sealed using suitable adhesive tape. To do this, remove the spacer in this area.
- 8 Reinforce area as per manufacturer's specifications.  
Run the surface top-level mesh up to the skimming edge of the W81.
- 9 Apply a covering layer of plaster.

## Important information

- When the work is being done, the surface temperature must be at least +5 degrees and must not exceed +40 degrees.
- After being set in place on the structural element, profiles with a mesh vane must be promptly embedded. Until then they must be protected from the weather, e.g. sun and wind.
- The sealing tape/strip is not included with the product.
- Fill any cavities behind the profile with insulating material.
- To avoid them becoming unduly hot, profiles, especially dark ones, should be shielded from direct sunlight when in storage and prior to being plastered over.
- The processing guidelines of the plaster manufacturer shall be complied with.